

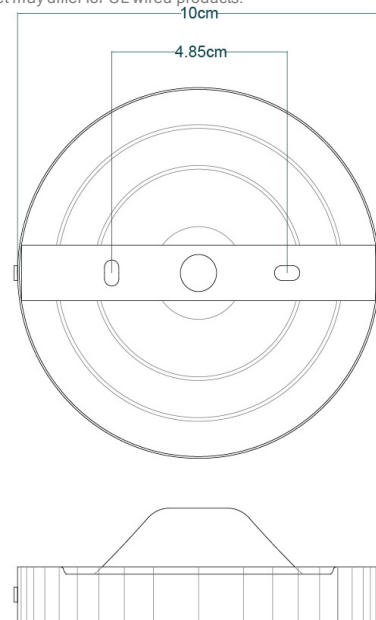
# SOUTHWARK Pendant

MLP462ANTBRSRED Antique Brass



|                           |  |
|---------------------------|--|
| MATERIAL                  | Brass   Leather                            |
| HEIGHT                    | 17cm   6.69"                               |
| WIDTH   DIAMETER          | 16.5cm   6.5"                              |
| LENGTH   PROJECTION       | n/a  |
| WEIGHT                    | 0.5KG   1.1lbs                             |
| LAMP HOLDER               | E27 or E26 *                               |
| MAX WATTAGE               | 40W x 1                                    |
| VOLTAGE                   | 220/240v or 110/120v *                     |
| IP RATING                 | 20   |
| CLASS PROTECTION          | I  |
| SHADE CODE                | -  |
| CABLE   CHAIN   BAR LENGT | 100cm   40"                                |
| CABLE TYPE                | MLCA047   2 Core Round   Brown Braid   PVC |

Fixing Bracket MLWB02 | Antique Brass  
 \* Fixing bracket may differ for UL wired products.



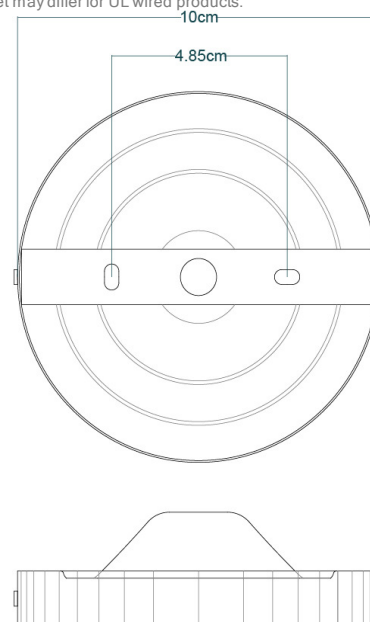
**Product Notes:**

1) Bulbs not included. 2) Dimensions do not include bulbs. 3) All products are individually made-to-order and therefore may differ slightly within manufacturing tolerances. 4) Cable / chain can be shortened during installation. Longer cable / chain lengths available on request. 5) Additional colour finishes may be available on request. 6) UL wired products operate at 110/120v with the appropriate lamp holder. 7) Twisted cable is not available for UL wired products. Round cable in black or brown only is supplied instead. 8) Refer to our website for a full list of terms and conditions.



|                           |  |
|---------------------------|--|
| MATERIAL                  | Brass   Leather                            |
| HEIGHT                    | 17cm   6.69"                               |
| WIDTH   DIAMETER          | 16.5cm   6.5"                              |
| LENGTH   PROJECTION       | n/a  |
| WEIGHT                    | 0.5KG   1.1lbs                             |
| LAMP HOLDER               | E27 or E26 *                               |
| MAX WATTAGE               | 40W x 1                                    |
| VOLTAGE                   | 220/240v or 110/120v *                     |
| IP RATING                 | 20   |
| CLASS PROTECTION          | I  |
| SHADE CODE                | -  |
| CABLE   CHAIN   BAR LENGT | 100cm   40"                                |
| CABLE TYPE                | MLCA047   2 Core Round   Brown Braid   PVC |

Fixing Bracket MLWB02 | Antique Brass  
 \* Fixing bracket may differ for UL wired products.



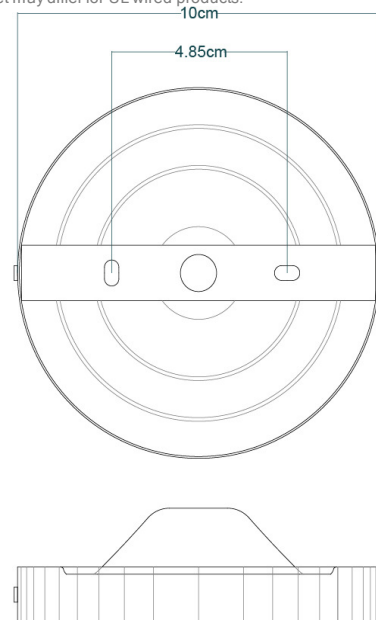
Product Notes:

1) Bulbs not included. 2) Dimensions do not include bulbs. 3) All products are individually made-to-order and therefore may differ slightly within manufacturing tolerances. 4) Cable / chain can be shortened during installation. Longer cable / chain lengths available on request. 5) Additional colour finishes may be available on request. 6) UL wired products operate at 110/120v with the appropriate lamp holder. 7) Twisted cable is not available for UL wired products. Round cable in black or brown only is supplied instead. 8) Refer to our website for a full list of terms and conditions.



|                           |  |
|---------------------------|--|
| MATERIAL                  | Brass   Leather                            |
| HEIGHT                    | 17cm   6.69"                               |
| WIDTH   DIAMETER          | 16.5cm   6.5"                              |
| LENGTH   PROJECTION       | n/a  |
| WEIGHT                    | 0.5KG   1.1lbs                             |
| LAMP HOLDER               | E27 or E26 *                               |
| MAX WATTAGE               | 40W x 1                                    |
| VOLTAGE                   | 220/240v or 110/120v *                     |
| IP RATING                 | 20   |
| CLASS PROTECTION          | I  |
| SHADE CODE                | -  |
| CABLE   CHAIN   BAR LENGT | 100cm   40"                                |
| CABLE TYPE                | MLCA028   2 Core Round   Black Braid   PVC |

Fixing Bracket MLWB02 | Antique Silver  
 \* Fixing bracket may differ for UL wired products.



Product Notes:

1) Bulbs not included. 2) Dimensions do not include bulbs. 3) All products are individually made-to-order and therefore may differ slightly within manufacturing tolerances. 4) Cable / chain can be shortened during installation. Longer cable / chain lengths available on request. 5) Additional colour finishes may be available on request. 6) UL wired products operate at 110/120v with the appropriate lamp holder. 7) Twisted cable is not available for UL wired products. Round cable in black or brown only is supplied instead. 8) Refer to our website for a full list of terms and conditions.

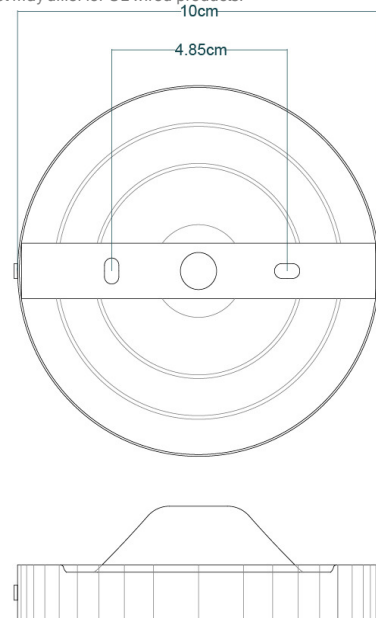
SOUTHWARK Pendant

MLP462ANTSLVYLW Antique Silver



|                           |  |
|---------------------------|--|
| MATERIAL                  | Brass   Leather                            |
| HEIGHT                    | 17cm   6.69"                               |
| WIDTH   DIAMETER          | 16.5cm   6.5"                              |
| LENGTH   PROJECTION       | n/a  |
| WEIGHT                    | 0.5KG   1.1lbs                             |
| LAMP HOLDER               | E27 or E26 *                               |
| MAX WATTAGE               | 40W x 1                                    |
| VOLTAGE                   | 220/240v or 110/120v *                     |
| IP RATING                 | 20   |
| CLASS PROTECTION          | I  |
| SHADE CODE                | -  |
| CABLE   CHAIN   BAR LENGT | 100cm   40"                                |
| CABLE TYPE                | MLCA028   2 Core Round   Black Braid   PVC |

Fixing Bracket MLWB02 | Antique Silver  
 \* Fixing bracket may differ for UL wired products.



Product Notes:

1) Bulbs not included. 2) Dimensions do not include bulbs. 3) All products are individually made-to-order and therefore may differ slightly within manufacturing tolerances. 4) Cable / chain can be shortened during installation. Longer cable / chain lengths available on request. 5) Additional colour finishes may be available on request. 6) UL wired products operate at 110/120v with the appropriate lamp holder. 7) Twisted cable is not available for UL wired products. Round cable in black or brown only is supplied instead. 8) Refer to our website for a full list of terms and conditions.

# SOUTHWARK Pendant

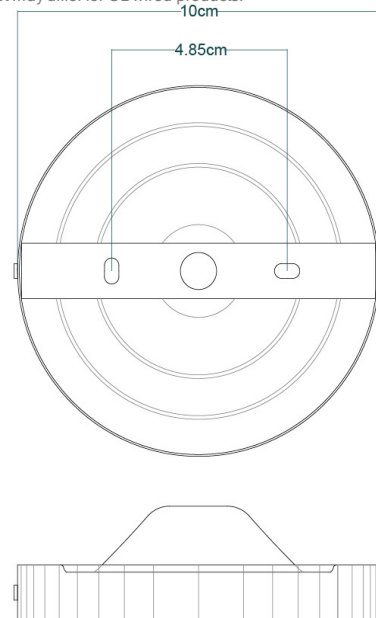
MLP462PCGRYRED Grey



|                           |   |
|---------------------------|---|
| MATERIAL                  | Brass   Leather                           |
| HEIGHT                    | 17cm   6.69"                              |
| WIDTH   DIAMETER          | 16.5cm   6.5"                             |
| LENGTH   PROJECTION       | n/a                                       |
| WEIGHT                    | 0.5KG   1.1lbs                            |
| LAMP HOLDER               | E27 or E26 *                              |
| MAX WATTAGE               | 40W x 1                                   |
| VOLTAGE                   | 220/240v or 110/120v *                    |
| IP RATING                 | 20  |
| CLASS PROTECTION          | I   |
| SHADE CODE                | -   |
| CABLE   CHAIN   BAR LENGT | 100cm   40"                               |
| CABLE TYPE                | MLCA056   2 Core Round   Gold Braid   PVC |

### Fixing Bracket MLWB02 | Grey

\* Fixing bracket may differ for UL wired products.



#### Product Notes:

1) Bulbs not included. 2) Dimensions do not include bulbs. 3) All products are individually made-to-order and therefore may differ slightly within manufacturing tolerances. 4) Cable / chain can be shortened during installation. Longer cable / chain lengths available on request. 5) Additional colour finishes may be available on request. 6) UL wired products operate at 110/120v with the appropriate lamp holder. 7) Twisted cable is not available for UL wired products. Round cable in black or brown only is supplied instead. 8) Refer to our website for a full list of terms and conditions.

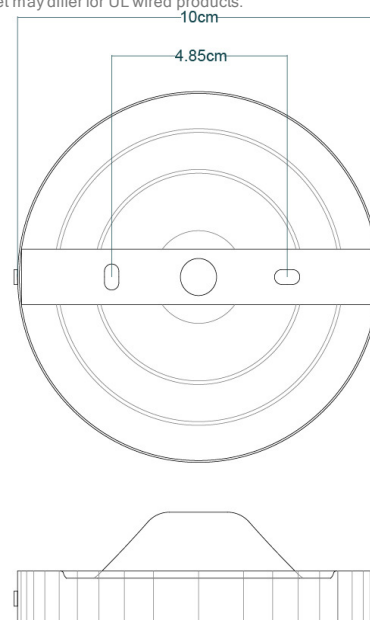
# SOUTHWARK Pendant

MLP462PCGRYYLW Grey



|                           |   |
|---------------------------|---|
| MATERIAL                  | Brass   Leather                           |
| HEIGHT                    | 17cm   6.69"                              |
| WIDTH   DIAMETER          | 16.5cm   6.5"                             |
| LENGTH   PROJECTION       | n/a                                       |
| WEIGHT                    | 0.5KG   1.1lbs                            |
| LAMP HOLDER               | E27 or E26 *                              |
| MAX WATTAGE               | 40W x 1                                   |
| VOLTAGE                   | 220/240v or 110/120v *                    |
| IP RATING                 | 20  |
| CLASS PROTECTION          | I   |
| SHADE CODE                | -   |
| CABLE   CHAIN   BAR LENGT | 100cm   40"                               |
| CABLE TYPE                | MLCA056   2 Core Round   Gold Braid   PVC |

Fixing Bracket MLWB02 | Grey  
\* Fixing bracket may differ for UL wired products.



Product Notes:

1) Bulbs not included. 2) Dimensions do not include bulbs. 3) All products are individually made-to-order and therefore may differ slightly within manufacturing tolerances. 4) Cable / chain can be shortened during installation. Longer cable / chain lengths available on request. 5) Additional colour finishes may be available on request. 6) UL wired products operate at 110/120v with the appropriate lamp holder. 7) Twisted cable is not available for UL wired products. Round cable in black or brown only is supplied instead. 8) Refer to our website for a full list of terms and conditions.

# SOUTHWARK Pendant

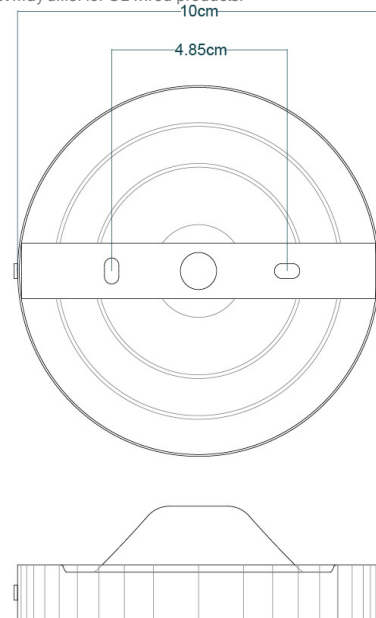
MLP462POLBRSRED Polished Brass



|                           |  |
|---------------------------|--|
| MATERIAL                  | Brass   Leather                            |
| HEIGHT                    | 17cm   6.69"                               |
| WIDTH   DIAMETER          | 16.5cm   6.5"                              |
| LENGTH   PROJECTION       | n/a  |
| WEIGHT                    | 0.5KG   1.1lbs                             |
| LAMP HOLDER               | E27 or E26 *                               |
| MAX WATTAGE               | 40W x 1                                    |
| VOLTAGE                   | 220/240v or 110/120v *                     |
| IP RATING                 | 20   |
| CLASS PROTECTION          | I  |
| SHADE CODE                | -  |
| CABLE   CHAIN   BAR LENGT | 100cm   40"                                |
| CABLE TYPE                | MLCA028   2 Core Round   Black Braid   PVC |

### Fixing Bracket MLWB02 | Polished Brass

\* Fixing bracket may differ for UL wired products.



#### Product Notes:

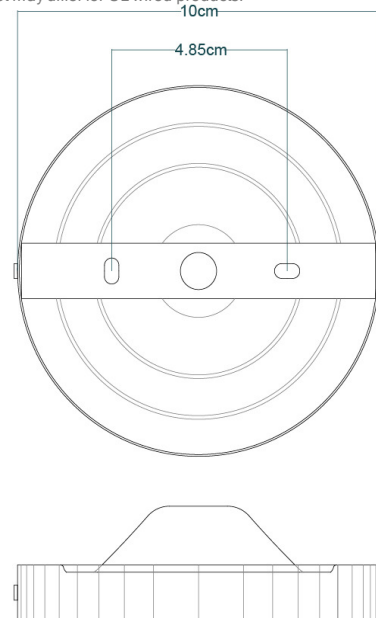
1) Bulbs not included. 2) Dimensions do not include bulbs. 3) All products are individually made-to-order and therefore may differ slightly within manufacturing tolerances. 4) Cable / chain can be shortened during installation. Longer cable / chain lengths available on request. 5) Additional colour finishes may be available on request. 6) UL wired products operate at 110/120v with the appropriate lamp holder. 7) Twisted cable is not available for UL wired products. Round cable in black or brown only is supplied instead. 8) Refer to our website for a full list of terms and conditions.



|                           |  |
|---------------------------|--|
| MATERIAL                  | Brass   Leather                            |
| HEIGHT                    | 17cm   6.69"                               |
| WIDTH   DIAMETER          | 16.5cm   6.5"                              |
| LENGTH   PROJECTION       | n/a  |
| WEIGHT                    | 0.5KG   1.1lbs                             |
| LAMP HOLDER               | E27 or E26 *                               |
| MAX WATTAGE               | 40W x 1                                    |
| VOLTAGE                   | 220/240v or 110/120v *                     |
| IP RATING                 | 20   |
| CLASS PROTECTION          | I  |
| SHADE CODE                | -  |
| CABLE   CHAIN   BAR LENGT | 100cm   40"                                |
| CABLE TYPE                | MLCA028   2 Core Round   Black Braid   PVC |

Fixing Bracket MLWB02 | Polished Brass

\* Fixing bracket may differ for UL wired products.



Product Notes:

1) Bulbs not included. 2) Dimensions do not include bulbs. 3) All products are individually made-to-order and therefore may differ slightly within manufacturing tolerances. 4) Cable / chain can be shortened during installation. Longer cable / chain lengths available on request. 5) Additional colour finishes may be available on request. 6) UL wired products operate at 110/120v with the appropriate lamp holder. 7) Twisted cable is not available for UL wired products. Round cable in black or brown only is supplied instead. 8) Refer to our website for a full list of terms and conditions.

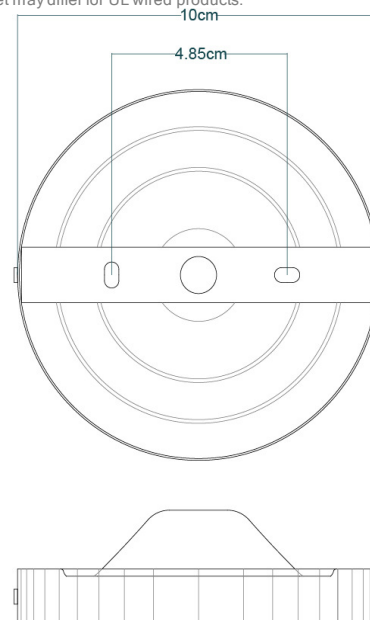




|                           |  |
|---------------------------|--|
| MATERIAL                  | Brass   Leather                            |
| HEIGHT                    | 17cm   6.69"                               |
| WIDTH   DIAMETER          | 16.5cm   6.5"                              |
| LENGTH   PROJECTION       | n/a  |
| WEIGHT                    | 0.5KG   1.1lbs                             |
| LAMP HOLDER               | E27 or E26 *                               |
| MAX WATTAGE               | 40W x 1                                    |
| VOLTAGE                   | 220/240v or 110/120v *                     |
| IP RATING                 | 20   |
| CLASS PROTECTION          | I  |
| SHADE CODE                | -  |
| CABLE   CHAIN   BAR LENGT | 100cm   40"                                |
| CABLE TYPE                | MLCA028   2 Core Round   Black Braid   PVC |

Fixing Bracket MLWB02 | Satin Brass

\* Fixing bracket may differ for UL wired products.



Product Notes:

1) Bulbs not included. 2) Dimensions do not include bulbs. 3) All products are individually made-to-order and therefore may differ slightly within manufacturing tolerances. 4) Cable / chain can be shortened during installation. Longer cable / chain lengths available on request. 5) Additional colour finishes may be available on request. 6) UL wired products operate at 110/120v with the appropriate lamp holder. 7) Twisted cable is not available for UL wired products. Round cable in black or brown only is supplied instead. 8) Refer to our website for a full list of terms and conditions.

# SOUTHWARK Pendant

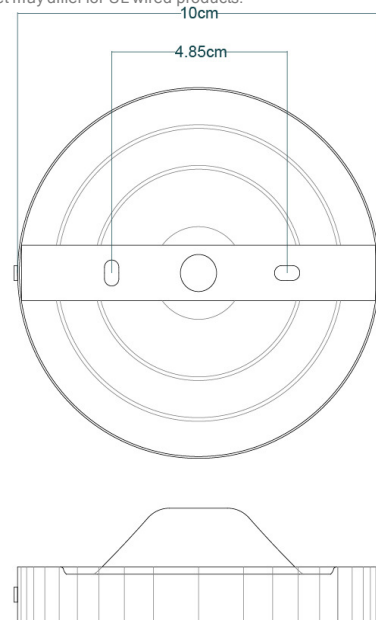
MLP462SATBRSYLW Satin Brass



|                           |  |
|---------------------------|--|
| MATERIAL                  | Brass   Leather                            |
| HEIGHT                    | 17cm   6.69"                               |
| WIDTH   DIAMETER          | 16.5cm   6.5"                              |
| LENGTH   PROJECTION       | n/a  |
| WEIGHT                    | 0.5KG   1.1lbs                             |
| LAMP HOLDER               | E27 or E26 *                               |
| MAX WATTAGE               | 40W x 1                                    |
| VOLTAGE                   | 220/240v or 110/120v *                     |
| IP RATING                 | 20   |
| CLASS PROTECTION          | I  |
| SHADE CODE                | -  |
| CABLE   CHAIN   BAR LENGT | 100cm   40"                                |
| CABLE TYPE                | MLCA028   2 Core Round   Black Braid   PVC |

### Fixing Bracket MLWB02 | Satin Brass

\* Fixing bracket may differ for UL wired products.



#### Product Notes:

1) Bulbs not included. 2) Dimensions do not include bulbs. 3) All products are individually made-to-order and therefore may differ slightly within manufacturing tolerances. 4) Cable / chain can be shortened during installation. Longer cable / chain lengths available on request. 5) Additional colour finishes may be available on request. 6) UL wired products operate at 110/120v with the appropriate lamp holder. 7) Twisted cable is not available for UL wired products. Round cable in black or brown only is supplied instead. 8) Refer to our website for a full list of terms and conditions.