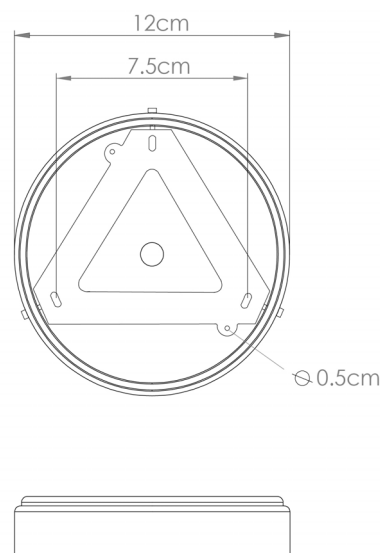




MATERIAL	Brass   Ceramic
HEIGHT	100cm   39.37"
WIDTH   DIAMETER	27cm   10.63"
LENGTH   PROJECTION	n/a
WEIGHT	0.8KG   1.76lbs
LAMPHOLDER	E27 x 1
MAX WATTAGE	40W x 1
VOLTAGE	220/240v
IP RATING	20
CLASS PROTECTION	I
SHADE	MLCS037
FLEX   BAR   CHAIN LENGT	n/a
CABLE TYPE	MLCA047   2 Core Round   Brown Braid   PVC

Fixing Bracket MLROSE39 | Antique Brass



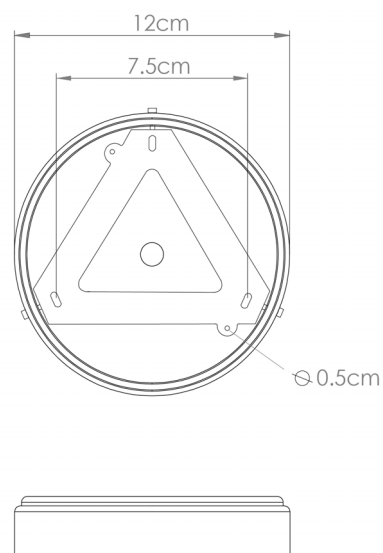
Product Notes:

1) Lamps not included with light fixture. 2) All products are individually hand crafted, therefore may differ slightly within manufacturing tolerances. 3) Please refer to: <http://www.mullanlighting.com/terms> for full list of Terms & Conditions. 4) Cable/Chain can be shortened during installation. 5) Longer Cable/Chain available on request. 6) Additional colour finishes available on request. 7.) Dimensions do not include lamps. 8.) Products wired to UL standards will operate at 110/120v with the appropriate lampholders.



MATERIAL	Brass   Ceramic
HEIGHT	100cm   39.37"
WIDTH   DIAMETER	27cm   10.63"
LENGTH   PROJECTION	n/a
WEIGHT	0.8KG   1.76lbs
LAMPHOLDER	E27 x 1
MAX WATTAGE	40W x 1
VOLTAGE	220/240v
IP RATING	20
CLASS PROTECTION	I
SHADE	MLCS037
FLEX   BAR   CHAIN LENGT	n/a
CABLE TYPE	MLCA028   2 Core Round   Black Braid   PVC

Fixing Bracket MLROSE39 | Antique Silver



Product Notes:

1) Lamps not included with light fixture. 2) All products are individually hand crafted, therefore may differ slightly within manufacturing tolerances. 3) Please refer to: <http://www.mullanlighting.com/terms> for full list of Terms & Conditions. 4) Cable/Chain can be shortened during installation. 5) Longer Cable/Chain available on request. 6) Additional colour finishes available on request. 7.) Dimensions do not include lamps. 8.) Products wired to UL standards will operate at 110/120v with the appropriate lampholders.

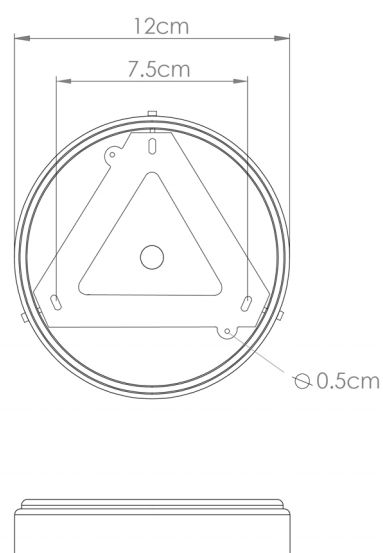
# KAPOK Ceramic Ceiling Fitting

MLCMCF004PCMBK Matt Black



MATERIAL	Brass   Ceramic
HEIGHT	100cm   39.37"
WIDTH   DIAMETER	27cm   10.63"
LENGTH   PROJECTION	n/a
WEIGHT	0.8KG   1.76lbs
LAMPHOLDER	E27 x 1
MAX WATTAGE	40W x 1
VOLTAGE	220/240v
IP RATING	20
CLASS PROTECTION	I
SHADE	MLCS037
FLEX   BAR   CHAIN LENGT	n/a
CABLE TYPE	MLCA028   2 Core Round   Black Braid   PVC

Fixing Bracket MLROSE39 | Matt Black



**Product Notes:**

1) Lamps not included with light fixture. 2) All products are individually hand crafted, therefore may differ slightly within manufacturing tolerances. 3) Please refer to: <http://www.mullanlighting.com/terms> for full list of Terms & Conditions. 4) Cable/Chain can be shortened during installation. 5) Longer Cable/Chain available on request. 6) Additional colour finishes available on request. 7.) Dimensions do not include lamps. 8.) Products wired to UL standards will operate at 110/120v with the appropriate lampholders.

# KAPOK Ceramic Ceiling Fitting

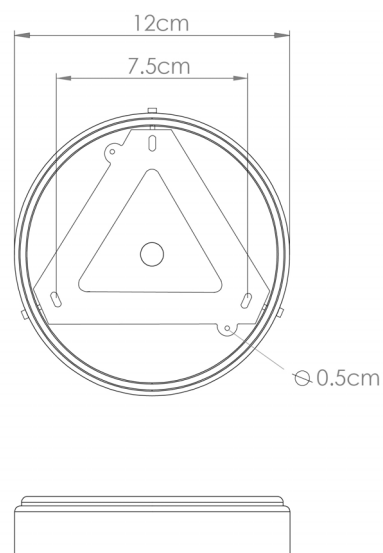
MLCMCF004POLBRS

Polished Brass



MATERIAL	Brass   Ceramic
HEIGHT	100cm   39.37"
WIDTH   DIAMETER	27cm   10.63"
LENGTH   PROJECTION	n/a
WEIGHT	0.8KG   1.76lbs
LAMPHOLDER	E27 x 1
MAX WATTAGE	40W x 1
VOLTAGE	220/240v
IP RATING	20
CLASS PROTECTION	I
SHADE	MLCS037
FLEX   BAR   CHAIN LENGT	n/a
CABLE TYPE	MLCS028

Fixing Bracket MLROSE39 | Polished Brass



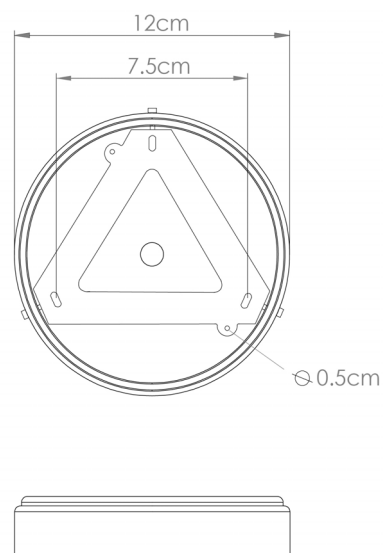
Product Notes:

1) Lamps not included with light fixture. 2) All products are individually hand crafted, therefore may differ slightly within manufacturing tolerances. 3) Please refer to: <http://www.mullanlighting.com/terms> for full list of Terms & Conditions. 4) Cable/Chain can be shortened during installation. 5) Longer Cable/Chain available on request. 6) Additional colour finishes available on request. 7.) Dimensions do not include lamps. 8.) Products wired to UL standards will operate at 110/120v with the appropriate lampholders.



MATERIAL	Copper   Ceramic
HEIGHT	100cm   39.37"
WIDTH   DIAMETER	27cm   10.63"
LENGTH   PROJECTION	n/a
WEIGHT	0.8KG   1.76lbs
LAMPHOLDER	E27 x 1
MAX WATTAGE	5W x 1
VOLTAGE	220/240v
IP RATING	20
CLASS PROTECTION	I
SHADE	MLCS037
FLEX   BAR   CHAIN LENGT	n/a
CABLE TYPE	MLCA028   2 Core Round   Black Braid   PVC

Fixing Bracket MLROSE39



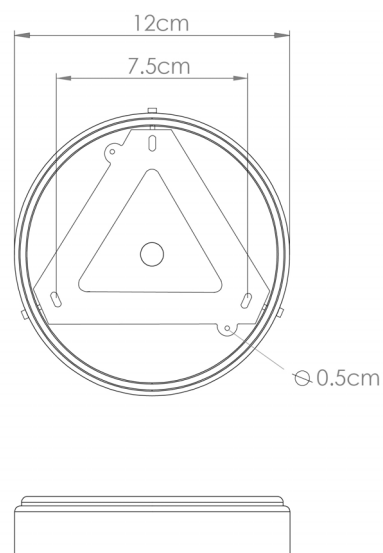
Product Notes:

1) Lamps not included with light fixture. 2) All products are individually hand crafted, therefore may differ slightly within manufacturing tolerances. 3) Please refer to: <http://www.mullanlighting.com/terms> for full list of Terms & Conditions. 4) Cable/Chain can be shortened during installation. 5) Longer Cable/Chain available on request. 6) Additional colour finishes available on request. 7.) Dimensions do not include lamps. 8.) Products wired to UL standards will operate at 110/120v with the appropriate lampholders.



MATERIAL	Brass   Ceramic
HEIGHT	100cm   39.37"
WIDTH   DIAMETER	27cm   10.63"
LENGTH   PROJECTION	n/a
WEIGHT	0.8KG   1.76lbs
LAMPHOLDER	E27 x 1
MAX WATTAGE	40W x 1
VOLTAGE	220/240v
IP RATING	20
CLASS PROTECTION	I
SHADE	MLCS037
FLEX   BAR   CHAIN LENGT	n/a
CABLE TYPE	MLCA028   2 Core Round   Black Braid   PVC

Fixing Bracket MLROSE39 | Satin Brass



Product Notes:

1) Lamps not included with light fixture. 2) All products are individually hand crafted, therefore may differ slightly within manufacturing tolerances. 3) Please refer to: <http://www.mullanlighting.com/terms> for full list of Terms & Conditions. 4) Cable/Chain can be shortened during installation. 5) Longer Cable/Chain available on request. 6) Additional colour finishes available on request. 7.) Dimensions do not include lamps. 8.) Products wired to UL standards will operate at 110/120v with the appropriate lampholders.