

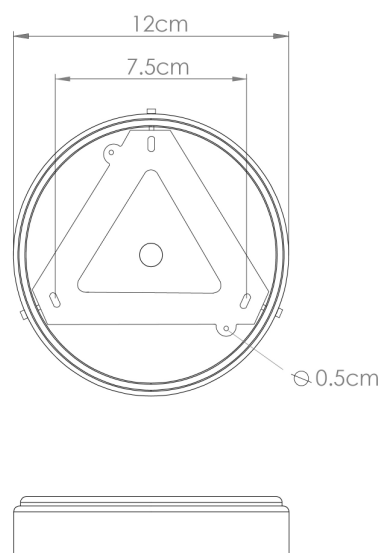
KAPOK Ceramic Pendant

MLCMP006ANTBRS Antique Brass



| | |
|--------------------------|--|
| MATERIAL | Brass |
| HEIGHT | 9.5cm 3.74" |
| WIDTH DIAMETER | 27cm 10.63" |
| LENGTH PROJECTION | n/a |
| WEIGHT | 1.3KG 2.87lbs |
| LAMPHOLDER | E27 x 1 |
| MAX WATTAGE | 40W x 1 |
| VOLTAGE | 220/240v |
| IP RATING | 20 |
| CLASS PROTECTION | I |
| SHADE | MLCS016 |
| FLEX BAR CHAIN LENGT | 100cm 40" |
| CABLE TYPE | MLCA047 2 Core Round Brown Braid PVC |

Fixing Bracket MLROSE39 | Antique Brass



Product Notes:

1) Lamps not included with light fixture. 2) All products are individually hand crafted, therefore may differ slightly within manufacturing tolerances. 3) Please refer to: <http://www.mullanlighting.com/terms> for full list of Terms & Conditions. 4) Cable/Chain can be shortened during installation. 5) Longer Cable/Chain available on request. 6) Additional colour finishes available on request. 7.) Dimensions do not include lamps. 8.) Products wired to UL standards will operate at 110/120v with the appropriate lampholders.

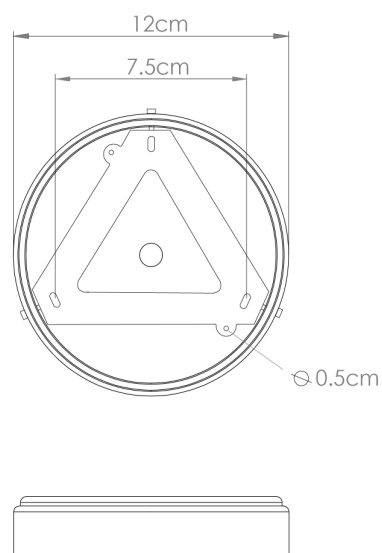
KAPOK Ceramic Pendant

MLCMP006ANTSLV Antique Silver



| | |
|--------------------------|--|
| MATERIAL | Brass |
| HEIGHT | 9.5cm 3.74" |
| WIDTH DIAMETER | 27cm 10.63" |
| LENGTH PROJECTION | n/a |
| WEIGHT | 1.3KG 2.87lbs |
| LAMPHOLDER | E27 x 1 |
| MAX WATTAGE | 40W x 1 |
| VOLTAGE | 220/240v |
| IP RATING | 20 |
| CLASS PROTECTION | I |
| SHADE | MLCS016 |
| FLEX BAR CHAIN LENGT | 100cm 40" |
| CABLE TYPE | MLCA028 2 Core Round Black Braid PVC |

Fixing Bracket MLROSE39 | Antique Silver



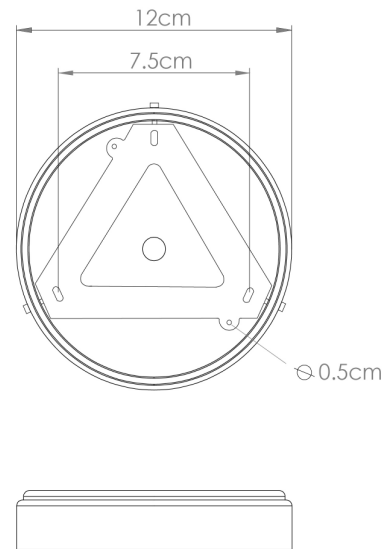
Product Notes:

1) Lamps not included with light fixture. 2) All products are individually hand crafted, therefore may differ slightly within manufacturing tolerances. 3) Please refer to: <http://www.mullanlighting.com/terms> for full list of Terms & Conditions. 4) Cable/Chain can be shortened during installation. 5) Longer Cable/Chain available on request. 6) Additional colour finishes available on request. 7) Dimensions do not include lamps. 8.) Products wired to UL standards will operate at 110/120v with the appropriate lampholders.



| | |
|--------------------------|--|
| MATERIAL | Brass |
| HEIGHT | 9.5cm 3.74" |
| WIDTH DIAMETER | 27cm 10.63" |
| LENGTH PROJECTION | n/a |
| WEIGHT | 1.3KG 2.87lbs |
| LAMPHOLDER | E27 x 1 |
| MAX WATTAGE | 40W x 1 |
| VOLTAGE | 220/240v |
| IP RATING | 20 |
| CLASS PROTECTION | I |
| SHADE | MLCS016 |
| FLEX BAR CHAIN LENGT | 100cm 40" |
| CABLE TYPE | MLCA028 2 Core Round Black Braid PVC |

Fixing Bracket MLROSE39 | Polished Brass



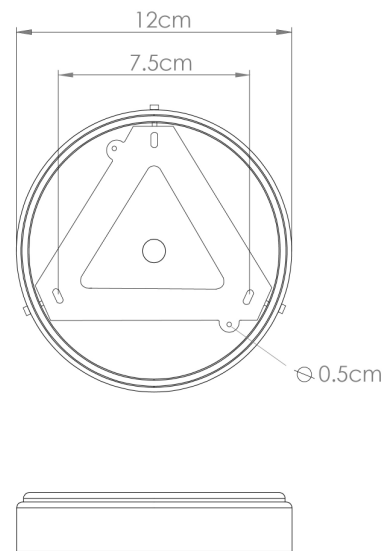
Product Notes:

1) Lamps not included with light fixture. 2) All products are individually hand crafted, therefore may differ slightly within manufacturing tolerances. 3) Please refer to: <http://www.mullanlighting.com/terms> for full list of Terms & Conditions. 4) Cable/Chain can be shortened during installation. 5) Longer Cable/Chain available on request. 6) Additional colour finishes available on request. 7.) Dimensions do not include lamps. 8.) Products wired to UL standards will operate at 110/120v with the appropriate lampholders.



| | |
|--------------------------|--|
| MATERIAL | Brass |
| HEIGHT | 9.5cm 3.74" |
| WIDTH DIAMETER | 27cm 10.63" |
| LENGTH PROJECTION | n/a |
| WEIGHT | 1.3KG 2.87lbs |
| LAMPHOLDER | E27 x 1 |
| MAX WATTAGE | 40W x 1 |
| VOLTAGE | 220/240v |
| IP RATING | 20 |
| CLASS PROTECTION | I |
| SHADE | MLCS016 |
| FLEX BAR CHAIN LENGT | 100cm 40" |
| CABLE TYPE | MLCA028 2 Core Round Black Braid PVC |

Fixing Bracket MLROSE39 | Polished Copper



Product Notes:

1) Lamps not included with light fixture. 2) All products are individually hand crafted, therefore may differ slightly within manufacturing tolerances. 3) Please refer to: <http://www.mullanlighting.com/terms> for full list of Terms & Conditions. 4) Cable/Chain can be shortened during installation. 5) Longer Cable/Chain available on request. 6) Additional colour finishes available on request. 7.) Dimensions do not include lamps. 8.) Products wired to UL standards will operate at 110/120v with the appropriate lampholders.

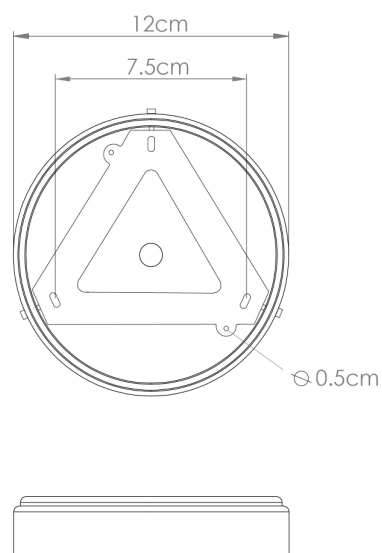
KAPOK Ceramic Pendant

MLCMP006SATBRS Satin Brass



| | |
|--------------------------|--|
| MATERIAL | Brass |
| HEIGHT | 9.5cm 3.74" |
| WIDTH DIAMETER | 27cm 10.63" |
| LENGTH PROJECTION | n/a |
| WEIGHT | 1.3KG 2.87lbs |
| LAMPHOLDER | E27 x 1 |
| MAX WATTAGE | 40W x 1 |
| VOLTAGE | 220/240v |
| IP RATING | 20 |
| CLASS PROTECTION | I |
| SHADE | MLCS016 |
| FLEX BAR CHAIN LENGT | 100cm 40" |
| CABLE TYPE | MLCA028 2 Core Round Black Braid PVC |

Fixing Bracket MLROSE39 | Satin Brass



Product Notes:

1) Lamps not included with light fixture. 2) All products are individually hand crafted, therefore may differ slightly within manufacturing tolerances. 3) Please refer to: <http://www.mullanlighting.com/terms> for full list of Terms & Conditions. 4) Cable/Chain can be shortened during installation. 5) Longer Cable/Chain available on request. 6) Additional colour finishes available on request. 7.) Dimensions do not include lamps. 8.) Products wired to UL standards will operate at 110/120v with the appropriate lampholders.