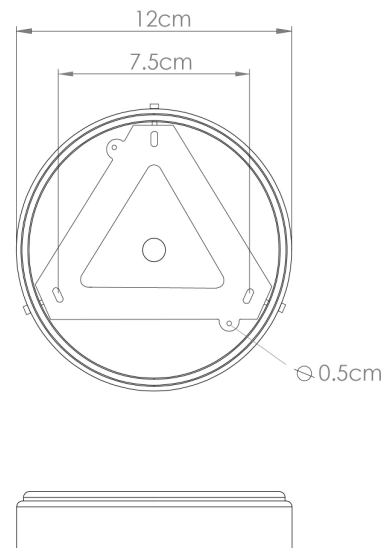




MATERIAL	Brass
HEIGHT	15CM 5.91"
WIDTH DIAMETER	13.5CM 5.31"
LENGTH PROJECTION	n/a
WEIGHT	0.7KG 1.54lbs
LAMP HOLDER	E27 or E26 *
MAX WATTAGE	40W x 1
VOLTAGE	220/240v or 110/120v *
IP RATING	20
CLASS PROTECTION	I
SHADE CODE	-
CABLE CHAIN BAR LENGT	100cm 40"
CABLE TYPE	MLCA047 2 Core Round Brown Braid PVC

Fixing Bracket MLROSE39| Antique Brass

* Fixing bracket may differ for UL wired products.



Product Notes:

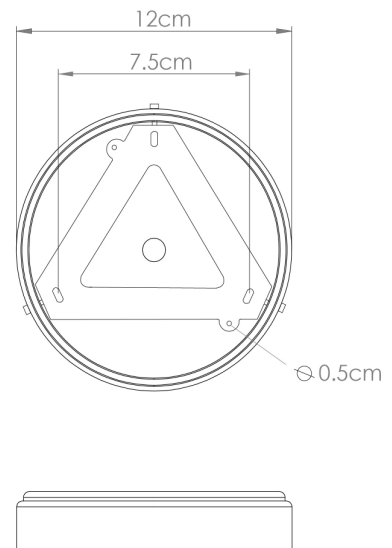
1) Bulbs not included. 2) Dimensions do not include bulbs. 3) All products are individually made-to-order and therefore may differ slightly within manufacturing tolerances. 4) Cable / chain can be shortened during installation. Longer cable / chain lengths available on request. 5) Additional colour finishes may be available on request. 6) UL wired products operate at 110/120v with the appropriate lamp holder. 7) Twisted cable is not available for UL wired products. Round cable in black or brown only is supplied instead. 8) Refer to our website for a full list of terms and conditions.



MATERIAL	Brass
HEIGHT	15CM 5.91"
WIDTH DIAMETER	13.5CM 5.31"
LENGTH PROJECTION	n/a
WEIGHT	0.7KG 1.54lbs
LAMP HOLDER	E27 or E26 *
MAX WATTAGE	40W x 1
VOLTAGE	220/240v or 110/120v *
IP RATING	20
CLASS PROTECTION	I
SHADE CODE	-
CABLE CHAIN BAR LENGT	100cm 40"
CABLE TYPE	MLCA047 2 Core Round Brown Braid PVC

Fixing Bracket MLROSE39 | Antique Brass

* Fixing bracket may differ for UL wired products.



Product Notes:

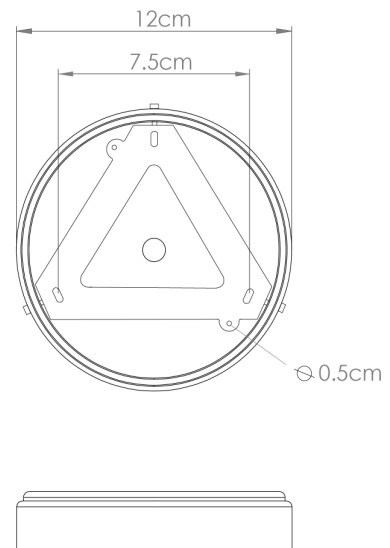
1) Bulbs not included. 2) Dimensions do not include bulbs. 3) All products are individually made-to-order and therefore may differ slightly within manufacturing tolerances. 4) Cable / chain can be shortened during installation. Longer cable / chain lengths available on request. 5) Additional colour finishes may be available on request. 6) UL wired products operate at 110/120v with the appropriate lamp holder. 7) Twisted cable is not available for UL wired products. Round cable in black or brown only is supplied instead. 8) Refer to our website for a full list of terms and conditions.



MATERIAL	Brass
HEIGHT	15cm 5.91"
WIDTH DIAMETER	13.5CM 5.31"
LENGTH PROJECTION	n/a
WEIGHT	0.7KG 1.54lbs
LAMP HOLDER	E27 or E26 *
MAX WATTAGE	40W x 1
VOLTAGE	220/240v or 110/120v *
IP RATING	20
CLASS PROTECTION	I
SHADE CODE	-
CABLE CHAIN BAR LENGT	100cm 40"
CABLE TYPE	MLCA028 2 Core Round Black Braid PVC

Fixing Bracket MLROSE39| Antique Silver

* Fixing bracket may differ for UL wired products.



Product Notes:

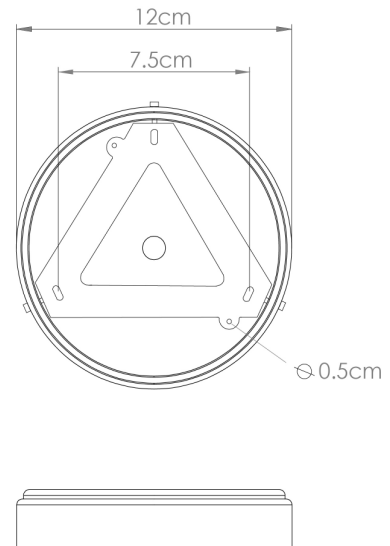
1) Bulbs not included. 2) Dimensions do not include bulbs. 3) All products are individually made-to-order and therefore may differ slightly within manufacturing tolerances. 4) Cable / chain can be shortened during installation. Longer cable / chain lengths available on request. 5) Additional colour finishes may be available on request. 6) UL wired products operate at 110/120v with the appropriate lamp holder. 7) Twisted cable is not available for UL wired products. Round cable in black or brown only is supplied instead. 8) Refer to our website for a full list of terms and conditions.



MATERIAL	Brass
HEIGHT	15CM 5.91"
WIDTH DIAMETER	13.5CM 5.31"
LENGTH PROJECTION	n/a
WEIGHT	0.7KG 1.54lbs
LAMP HOLDER	E27 or E26 *
MAX WATTAGE	40W x 1
VOLTAGE	220/240v or 110/120v *
IP RATING	20
CLASS PROTECTION	I
SHADE CODE	-
CABLE CHAIN BAR LENGT	100cm 40"
CABLE TYPE	MLCA028 2 Core Round Black Braid PVC

Fixing Bracket MLROSE39 | Antique Silver

* Fixing bracket may differ for UL wired products.



Product Notes:

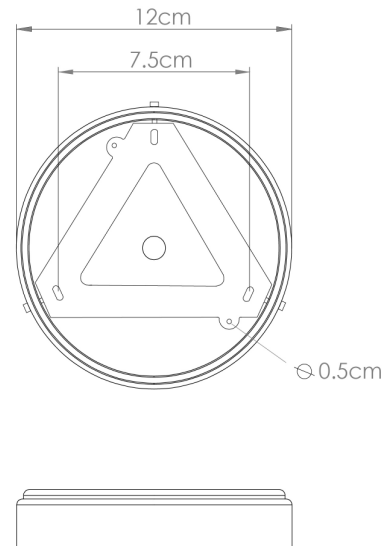
1) Bulbs not included. 2) Dimensions do not include bulbs. 3) All products are individually made-to-order and therefore may differ slightly within manufacturing tolerances. 4) Cable / chain can be shortened during installation. Longer cable / chain lengths available on request. 5) Additional colour finishes may be available on request. 6) UL wired products operate at 110/120v with the appropriate lamp holder. 7) Twisted cable is not available for UL wired products. Round cable in black or brown only is supplied instead. 8) Refer to our website for a full list of terms and conditions.



MATERIAL	Brass
HEIGHT	15CM 5.91"
WIDTH DIAMETER	13.5CM 5.31"
LENGTH PROJECTION	n/a
WEIGHT	0.7KG 1.54lbs
LAMP HOLDER	E27 or E26 *
MAX WATTAGE	40W x 1
VOLTAGE	220/240v or 110/120v *
IP RATING	20
CLASS PROTECTION	I
SHADE CODE	-
CABLE CHAIN BAR LENGT	100cm 40"
CABLE TYPE	MLCA028 2 Core Round Black Braid PVC

Fixing Bracket MLROSE39| Polished Brass

* Fixing bracket may differ for UL wired products.



Product Notes:

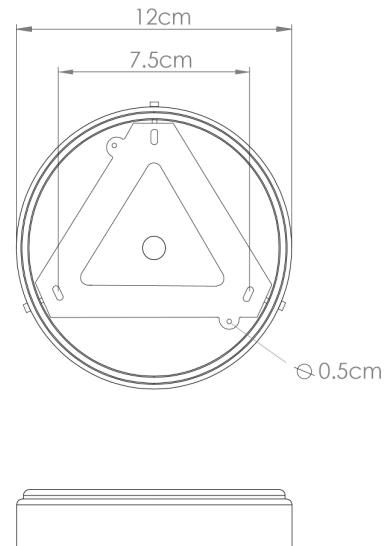
1) Bulbs not included. 2) Dimensions do not include bulbs. 3) All products are individually made-to-order and therefore may differ slightly within manufacturing tolerances. 4) Cable / chain can be shortened during installation. Longer cable / chain lengths available on request. 5) Additional colour finishes may be available on request. 6) UL wired products operate at 110/120v with the appropriate lamp holder. 7) Twisted cable is not available for UL wired products. Round cable in black or brown only is supplied instead. 8) Refer to our website for a full list of terms and conditions.



MATERIAL	Brass
HEIGHT	15CM 5.91"
WIDTH DIAMETER	13.5CM 5.31"
LENGTH PROJECTION	n/a
WEIGHT	0.7KG 1.54lbs
LAMP HOLDER	E27 or E26 *
MAX WATTAGE	40W x 1
VOLTAGE	220/240v or 110/120v *
IP RATING	20
CLASS PROTECTION	I
SHADE CODE	-
CABLE CHAIN BAR LENGT	100cm 40"
CABLE TYPE	MLCA028 2 Core Round Black Braid PVC

Fixing Bracket MLROSE39 | Polished Brass

* Fixing bracket may differ for UL wired products.



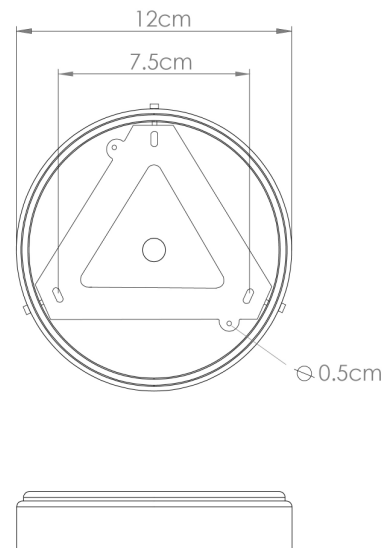
Product Notes:

1) Bulbs not included. 2) Dimensions do not include bulbs. 3) All products are individually made-to-order and therefore may differ slightly within manufacturing tolerances. 4) Cable / chain can be shortened during installation. Longer cable / chain lengths available on request. 5) Additional colour finishes may be available on request. 6) UL wired products operate at 110/120v with the appropriate lamp holder. 7) Twisted cable is not available for UL wired products. Round cable in black or brown only is supplied instead. 8) Refer to our website for a full list of terms and conditions.



MATERIAL	Brass
HEIGHT	15cm 5.91"
WIDTH DIAMETER	13.5CM 5.31"
LENGTH PROJECTION	n/a
WEIGHT	0.7KG 1.54lbs
LAMP HOLDER	E27 or E26 *
MAX WATTAGE	40W x 1
VOLTAGE	220/240v or 110/120v *
IP RATING	20
CLASS PROTECTION	I
SHADE CODE	-
CABLE CHAIN BAR LENGT	100cm 40"
CABLE TYPE	MLCA028 2 Core Round Black Braid PVC

Fixing Bracket MLROSE39| Satin Brass
 * Fixing bracket may differ for UL wired products.



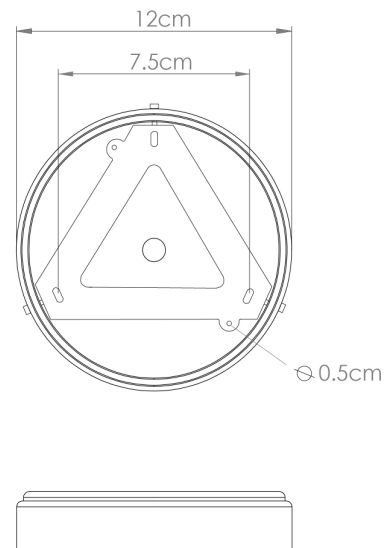
Product Notes:

1) Bulbs not included. 2) Dimensions do not include bulbs. 3) All products are individually made-to-order and therefore may differ slightly within manufacturing tolerances. 4) Cable / chain can be shortened during installation. Longer cable / chain lengths available on request. 5) Additional colour finishes may be available on request. 6) UL wired products operate at 110/120v with the appropriate lamp holder. 7) Twisted cable is not available for UL wired products. Round cable in black or brown only is supplied instead. 8) Refer to our website for a full list of terms and conditions.



MATERIAL	Brass
HEIGHT	15CM 5.91"
WIDTH DIAMETER	13.5CM 5.31"
LENGTH PROJECTION	n/a
WEIGHT	0.7KG 1.54lbs
LAMP HOLDER	E27 or E26 *
MAX WATTAGE	40W x 1
VOLTAGE	220/240v or 110/120v *
IP RATING	20
CLASS PROTECTION	I
SHADE CODE	-
CABLE CHAIN BAR LENGT	100cm 40"
CABLE TYPE	MLCA028 2 Core Round Black Braid PVC

Fixing Bracket MLROSE39 | Satin Brass
 * Fixing bracket may differ for UL wired products.



Product Notes:

1) Bulbs not included. 2) Dimensions do not include bulbs. 3) All products are individually made-to-order and therefore may differ slightly within manufacturing tolerances. 4) Cable / chain can be shortened during installation. Longer cable / chain lengths available on request. 5) Additional colour finishes may be available on request. 6) UL wired products operate at 110/120v with the appropriate lamp holder. 7) Twisted cable is not available for UL wired products. Round cable in black or brown only is supplied instead. 8) Refer to our website for a full list of terms and conditions.