

# OSIER Ceramic Pendant

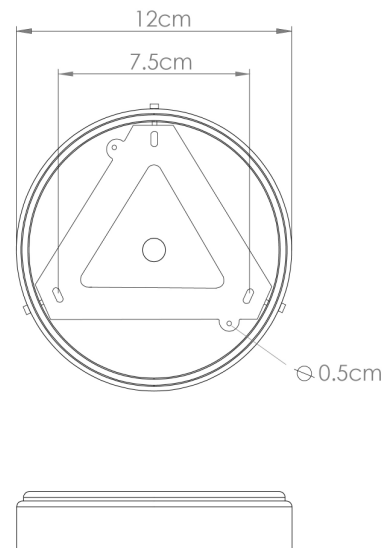
MLCMP038ANTBRS    Antique Brass



MATERIAL	Brass   Ceramic
HEIGHT	25cm   9.84"
WIDTH   DIAMETER	11.5cm   4.53"
LENGTH   PROJECTION	n/a
WEIGHT	1KG   2.2lbs
LAMP HOLDER	E27 or E26 *
MAX WATTAGE	40W x 1
VOLTAGE	220/240v or 110/120v *
IP RATING	20
CLASS PROTECTION	I
SHADE CODE	MLCS076
CABLE   CHAIN   BAR LENGT	100cm   40"
CABLE TYPE	MLCA047   2 Core Round   Brown Braid   PVC

### Fixing Bracket MLWB17

\* Fixing bracket may differ for UL wired products.



#### Product Notes:

1) Bulbs not included. 2) Dimensions do not include bulbs. 3) All products are individually made-to-order and therefore may differ slightly within manufacturing tolerances. 4) Cable / chain can be shortened during installation. Longer cable / chain lengths available on request. 5) Additional colour finishes may be available on request. 6) UL wired products operate at 110/120v with the appropriate lamp holder. 7) Twisted cable is not available for UL wired products. Round cable in black or brown only is supplied instead. 8) Refer to our website for a full list of terms and conditions.

# OSIER Ceramic Pendant

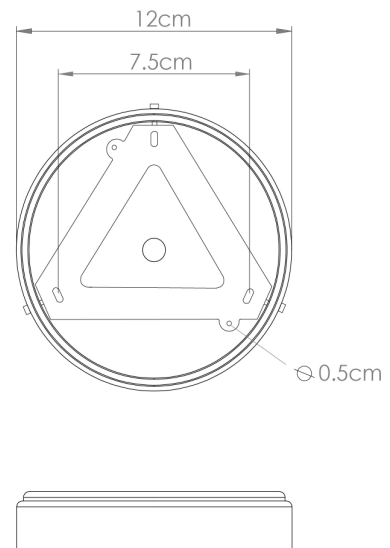
MLCMP038ANTSLV    Antique Silver



MATERIAL	Brass   Ceramic
HEIGHT	25cm   9.84"
WIDTH   DIAMETER	11.5cm   4.53"
LENGTH   PROJECTION	n/a
WEIGHT	1KG   2.2lbs
LAMP HOLDER	E27 or E26 *
MAX WATTAGE	40W x 1
VOLTAGE	220/240v or 110/120v *
IP RATING	20
CLASS PROTECTION	I
SHADE CODE	MLCS076
CABLE   CHAIN   BAR LENGT	100cm   40"
CABLE TYPE	MLCA028   2 Core Round   Black Braid   PVC

### Fixing Bracket MLWB17

\* Fixing bracket may differ for UL wired products.



#### Product Notes:

1) Bulbs not included. 2) Dimensions do not include bulbs. 3) All products are individually made-to-order and therefore may differ slightly within manufacturing tolerances. 4) Cable / chain can be shortened during installation. Longer cable / chain lengths available on request. 5) Additional colour finishes may be available on request. 6) UL wired products operate at 110/120v with the appropriate lamp holder. 7) Twisted cable is not available for UL wired products. Round cable in black or brown only is supplied instead. 8) Refer to our website for a full list of terms and conditions.

# OSIER Ceramic Pendant

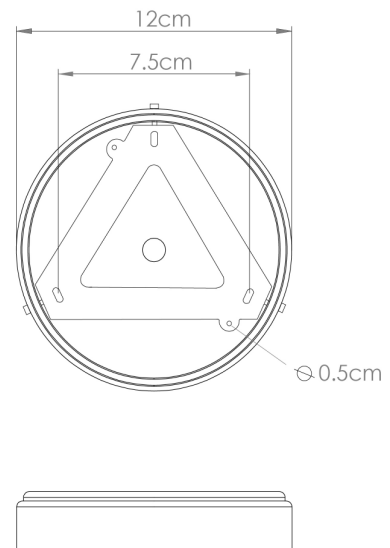
MLCMP038PCMBK Matt Black



MATERIAL	Brass   Ceramic
HEIGHT	25cm   9.84"
WIDTH   DIAMETER	11.5cm   4.53"
LENGTH   PROJECTION	n/a
WEIGHT	1KG   2.2lbs
LAMP HOLDER	E27 or E26 *
MAX WATTAGE	40W x 1
VOLTAGE	220/240v or 110/120v *
IP RATING	20
CLASS PROTECTION	I
SHADE CODE	MLCS076
CABLE   CHAIN   BAR LENGT	100cm   40"
CABLE TYPE	MLCA028   2 Core Round   Black Braid   PVC

### Fixing Bracket MLWB17

\* Fixing bracket may differ for UL wired products.



#### Product Notes:

1) Bulbs not included. 2) Dimensions do not include bulbs. 3) All products are individually made-to-order and therefore may differ slightly within manufacturing tolerances. 4) Cable / chain can be shortened during installation. Longer cable / chain lengths available on request. 5) Additional colour finishes may be available on request. 6) UL wired products operate at 110/120v with the appropriate lamp holder. 7) Twisted cable is not available for UL wired products. Round cable in black or brown only is supplied instead. 8) Refer to our website for a full list of terms and conditions.

# OSIER Ceramic Pendant

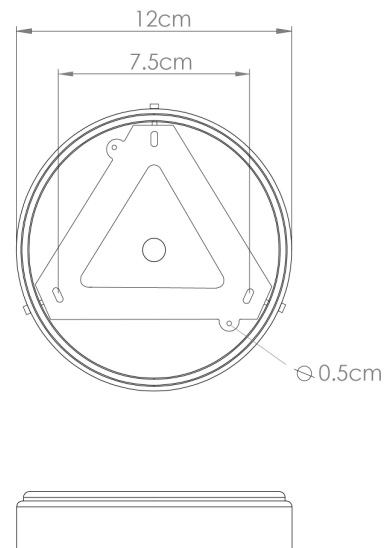
MLCMP038POLBRS Polished Brass



MATERIAL	Brass   Ceramic
HEIGHT	25cm   9.84"
WIDTH   DIAMETER	11.5cm   4.53"
LENGTH   PROJECTION	n/a
WEIGHT	1KG   2.2lbs
LAMP HOLDER	E27 or E26 *
MAX WATTAGE	40W x 1
VOLTAGE	220/240v or 110/120v *
IP RATING	20
CLASS PROTECTION	I
SHADE CODE	MLCS076
CABLE   CHAIN   BAR LENGT	100cm   40"
CABLE TYPE	MLCA028   2 Core Round   Black Braid   PVC

### Fixing Bracket MLWB17

\* Fixing bracket may differ for UL wired products.



#### Product Notes:

1) Bulbs not included. 2) Dimensions do not include bulbs. 3) All products are individually made-to-order and therefore may differ slightly within manufacturing tolerances. 4) Cable / chain can be shortened during installation. Longer cable / chain lengths available on request. 5) Additional colour finishes may be available on request. 6) UL wired products operate at 110/120v with the appropriate lamp holder. 7) Twisted cable is not available for UL wired products. Round cable in black or brown only is supplied instead. 8) Refer to our website for a full list of terms and conditions.

# OSIER Ceramic Pendant

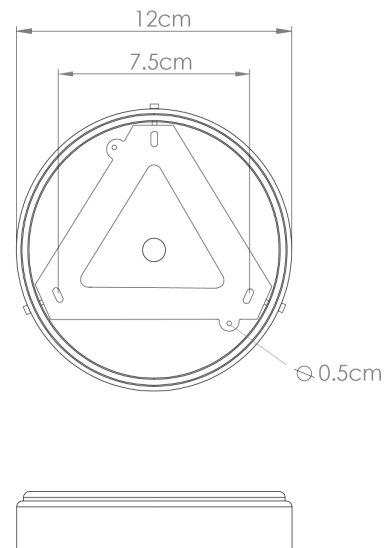
MLCMP038SATBRS Satin Brass



MATERIAL	Brass   Ceramic
HEIGHT	25cm   9.84"
WIDTH   DIAMETER	11.5cm   4.53"
LENGTH   PROJECTION	n/a
WEIGHT	1KG   2.2lbs
LAMP HOLDER	E27 or E26 *
MAX WATTAGE	40W x 1
VOLTAGE	220/240v or 110/120v *
IP RATING	20
CLASS PROTECTION	I
SHADE CODE	MLCS076
CABLE   CHAIN   BAR LENGT	100cm   40"
CABLE TYPE	MLCA028   2 Core Round   Black Braid   PVC

### Fixing Bracket MLWB17

\* Fixing bracket may differ for UL wired products.



#### Product Notes:

1) Bulbs not included. 2) Dimensions do not include bulbs. 3) All products are individually made-to-order and therefore may differ slightly within manufacturing tolerances. 4) Cable / chain can be shortened during installation. Longer cable / chain lengths available on request. 5) Additional colour finishes may be available on request. 6) UL wired products operate at 110/120v with the appropriate lamp holder. 7) Twisted cable is not available for UL wired products. Round cable in black or brown only is supplied instead. 8) Refer to our website for a full list of terms and conditions.