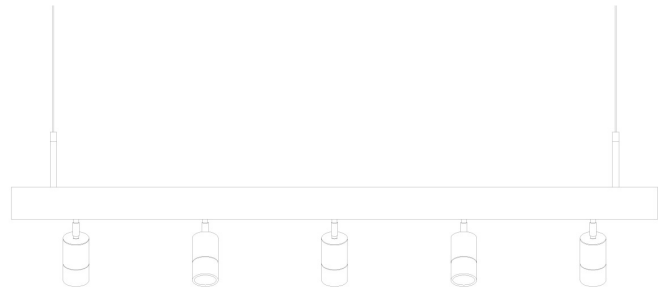


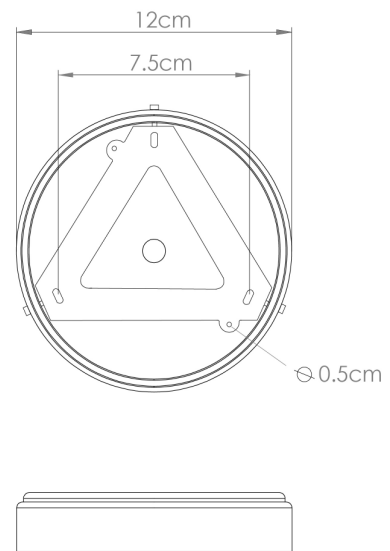
# WATSON Chandelier

MLF315PCMBKSATBRS Satin Brass



MATERIAL	Brass   Glass   Steel
HEIGHT	22cm   8.66"
WIDTH   DIAMETER	100cm   39.37"
LENGTH   PROJECTION	6.5cm   2.56"
WEIGHT	6.25KG   13.78lbs
LAMPHOLDER	GU10 x 5
MAX WATTAGE	5W x 5
VOLTAGE	220/240v
IP RATING	20
CLASS PROTECTION	I
SHADE	-
FLEX   BAR   CHAIN LENGT	100cm   40"
CABLE TYPE	MLCA013   3 Core Round   Clear   PVC

Fixing Bracket MLWB17 | Satin Brass



**Product Notes:**

1) Lamps not included with light fixture. 2) All products are individually hand crafted, therefore may differ slightly within manufacturing tolerances. 3) Please refer to: <http://www.mullanlighting.com/terms> for full list of Terms & Conditions. 4) Cable/Chain can be shortened during installation. 5) Longer Cable/Chain available on request. 6) Additional colour finishes available on request. 7.) Dimensions do not include lamps. 8.) Products wired to UL standards will operate at 110/120v with the appropriate lampholders.