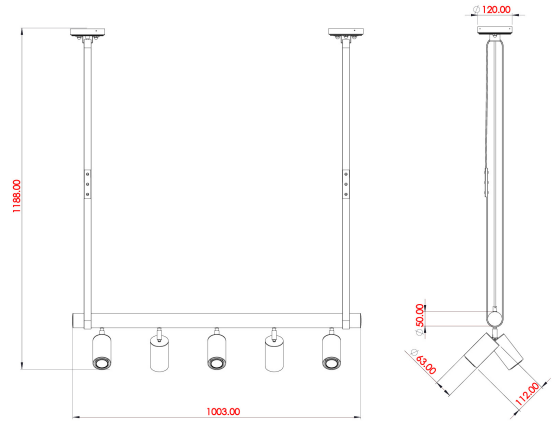


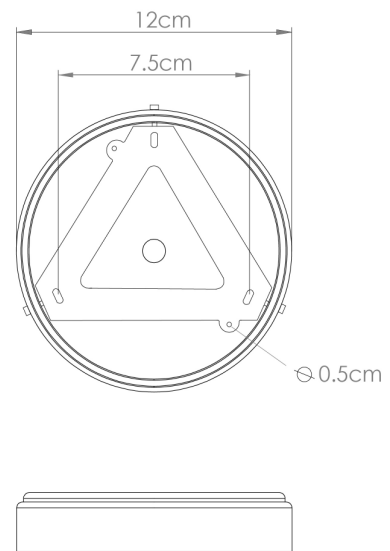
HOLMES Chandelier

MLF352PCMBK Matt Black



MATERIAL	Brass Steel Leather
HEIGHT	118.7cm 46.73"
WIDTH DIAMETER	27.4cm 10.79"
LENGTH PROJECTION	100cm 39.37"
WEIGHT	7.32KG 16.14lbs
LAMPHOLDER	GU10 x 5
MAX WATTAGE	5W x 5
VOLTAGE	220/240v
IP RATING	20
CLASS PROTECTION	I
SHADE	
FLEX BAR CHAIN LENGT	100cm 40"
CABLE TYPE	MLCA046 3 Core Round Brown Braid PVC

Fixing Bracket MLWB17

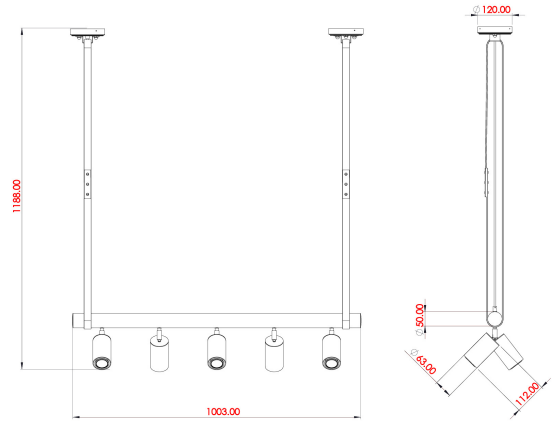


Product Notes:

1) Lamps not included with light fixture. 2) All products are individually hand crafted, therefore may differ slightly within manufacturing tolerances. 3) Please refer to: <http://www.mullanlighting.com/terms> for full list of Terms & Conditions. 4) Cable/Chain can be shortened during installation. 5) Longer Cable/Chain available on request. 6) Additional colour finishes available on request. 7.) Dimensions do not include lamps. 8.) Products wired to UL standards will operate at 110/120v with the appropriate lampholders.

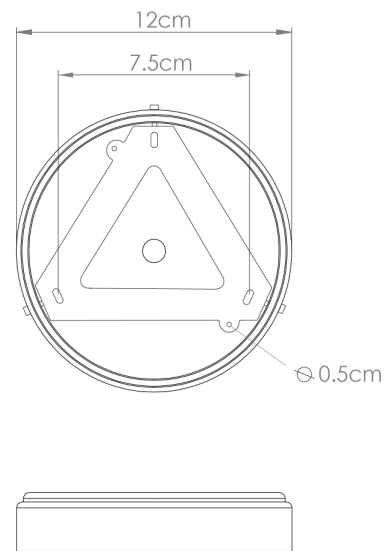
HOLMES Chandelier

MLF352PCMBKANTBRS Antique Brass



MATERIAL	Brass Steel Leather
HEIGHT	118.7cm 46.73"
WIDTH DIAMETER	27.4cm 10.79"
LENGTH PROJECTION	100cm 39.37"
WEIGHT	7.32KG 16.14lbs
LAMPHOLDER	GU10 x 5
MAX WATTAGE	5W x 5
VOLTAGE	220/240v
IP RATING	20
CLASS PROTECTION	I
SHADE	
FLEX BAR CHAIN LENGT	100cm 40"
CABLE TYPE	MLCA046 3 Core Round Brown Braid PVC

Fixing Bracket MLWB17

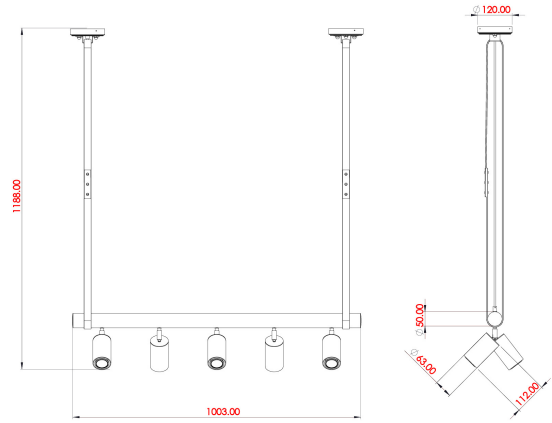


Product Notes:

1) Lamps not included with light fixture. 2) All products are individually hand crafted, therefore may differ slightly within manufacturing tolerances. 3) Please refer to: <http://www.mullanlighting.com/terms> for full list of Terms & Conditions. 4) Cable/Chain can be shortened during installation. 5) Longer Cable/Chain available on request. 6) Additional colour finishes available on request. 7.) Dimensions do not include lamps. 8.) Products wired to UL standards will operate at 110/120v with the appropriate lampholders.

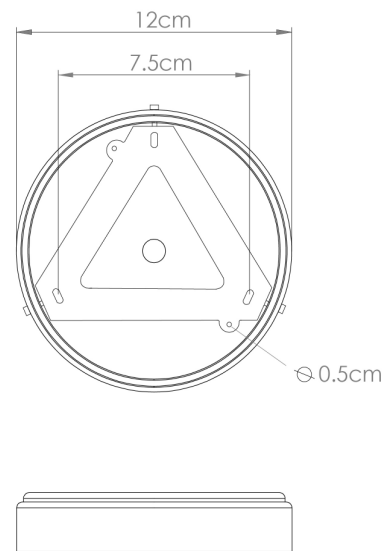
HOLMES Chandelier

MLF352PCMBKANTSLV Antique Silver



MATERIAL	Brass Steel Leather
HEIGHT	118.7cm 46.73"
WIDTH DIAMETER	27.4cm 10.79"
LENGTH PROJECTION	100cm 39.37"
WEIGHT	7.32KG 16.14lbs
LAMPHOLDER	GU10 x 5
MAX WATTAGE	5W x 5
VOLTAGE	220/240v
IP RATING	20
CLASS PROTECTION	I
SHADE	
FLEX BAR CHAIN LENGT	100cm 40"
CABLE TYPE	MLCA046 3 Core Round Brown Braid PVC

Fixing Bracket MLWB17

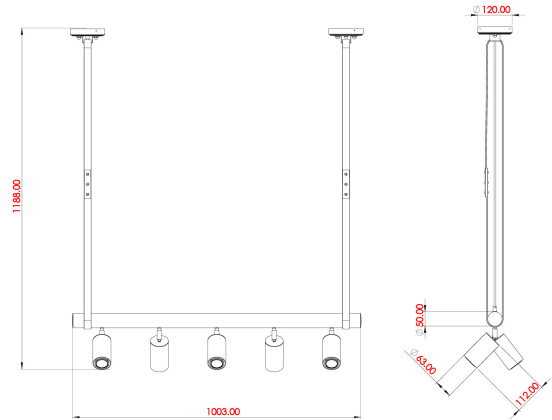


Product Notes:

1) Lamps not included with light fixture. 2) All products are individually hand crafted, therefore may differ slightly within manufacturing tolerances. 3) Please refer to: <http://www.mullanlighting.com/terms> for full list of Terms & Conditions. 4) Cable/Chain can be shortened during installation. 5) Longer Cable/Chain available on request. 6) Additional colour finishes available on request. 7.) Dimensions do not include lamps. 8.) Products wired to UL standards will operate at 110/120v with the appropriate lampholders.

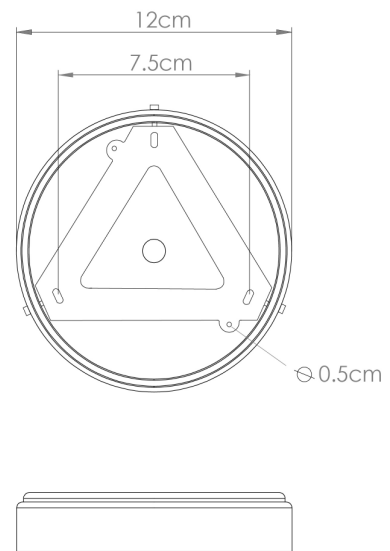
HOLMES Chandelier

MLF352PCMBKNATBRS Natural Brass



MATERIAL	Brass Steel Leather
HEIGHT	118.7cm 46.73"
WIDTH DIAMETER	27.4cm 10.79"
LENGTH PROJECTION	100cm 39.37"
WEIGHT	7.32KG 16.14lbs
LAMPHOLDER	GU10 x 5
MAX WATTAGE	5W x 5
VOLTAGE	220/240v
IP RATING	20
CLASS PROTECTION	I
SHADE	
FLEX BAR CHAIN LENGT	100cm 40"
CABLE TYPE	MLCA046 3 Core Round Brown Braid PVC

Fixing Bracket MLWB17

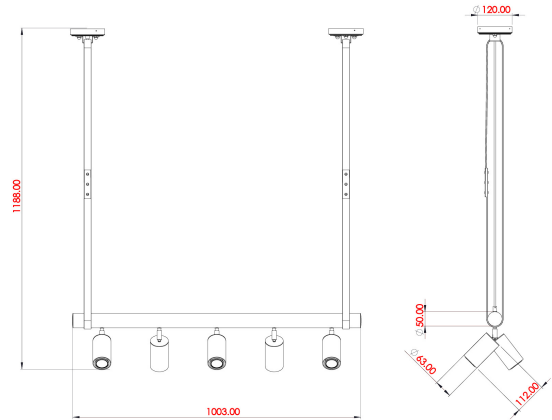


Product Notes:

1) Lamps not included with light fixture. 2) All products are individually hand crafted, therefore may differ slightly within manufacturing tolerances. 3) Please refer to: <http://www.mullanlighting.com/terms> for full list of Terms & Conditions. 4) Cable/Chain can be shortened during installation. 5) Longer Cable/Chain available on request. 6) Additional colour finishes available on request. 7.) Dimensions do not include lamps. 8.) Products wired to UL standards will operate at 110/120v with the appropriate lampholders.

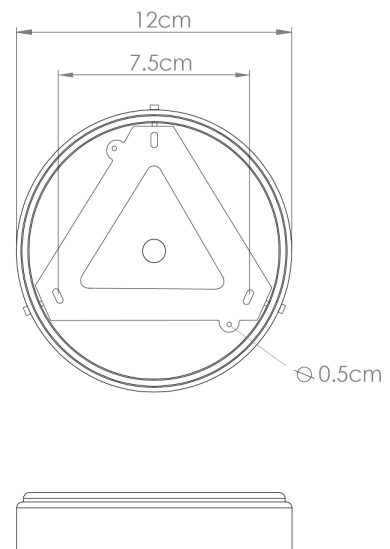
HOLMES Chandelier

MLF352PCMBKPOLBRS Polished Brass



MATERIAL	Brass Steel Leather
HEIGHT	118.7cm 46.73"
WIDTH DIAMETER	27.4cm 10.79"
LENGTH PROJECTION	100cm 39.37"
WEIGHT	7.32KG 16.14lbs
LAMPHOLDER	GU10 x 5
MAX WATTAGE	5W x 5
VOLTAGE	220/240v
IP RATING	20
CLASS PROTECTION	I
SHADE	
FLEX BAR CHAIN LENGT	100cm 40"
CABLE TYPE	MLCA046 3 Core Round Brown Braid PVC

Fixing Bracket MLWB17

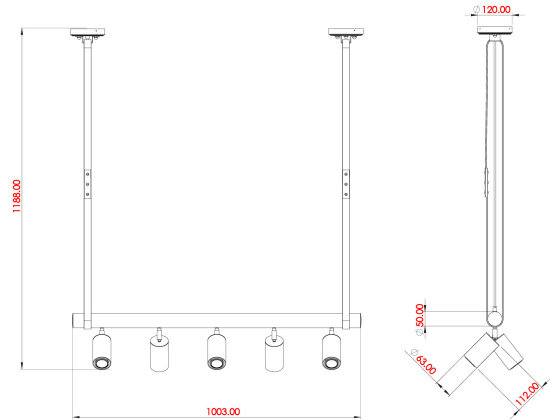


Product Notes:

1) Lamps not included with light fixture. 2) All products are individually hand crafted, therefore may differ slightly within manufacturing tolerances. 3) Please refer to: <http://www.mullanlighting.com/terms> for full list of Terms & Conditions. 4) Cable/Chain can be shortened during installation. 5) Longer Cable/Chain available on request. 6) Additional colour finishes available on request. 7.) Dimensions do not include lamps. 8.) Products wired to UL standards will operate at 110/120v with the appropriate lampholders.

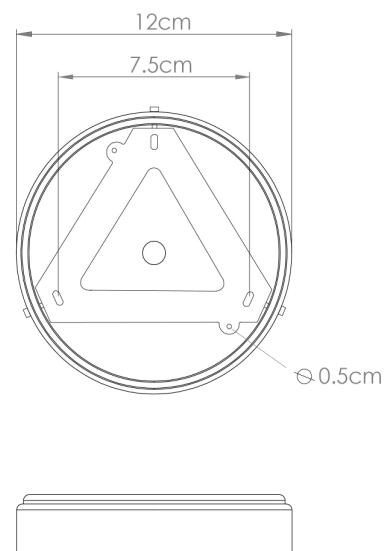
HOLMES Chandelier

MLF352PCMBKSATBRS Satin Brass



MATERIAL	Brass Steel Leather
HEIGHT	118.7cm 46.73"
WIDTH DIAMETER	27.4cm 10.79"
LENGTH PROJECTION	100cm 39.37"
WEIGHT	7.32KG 16.14lbs
LAMPHOLDER	GU10 x 5
MAX WATTAGE	5W x 5
VOLTAGE	220/240v
IP RATING	20
CLASS PROTECTION	I
SHADE	
FLEX BAR CHAIN LENGT	100cm 40"
CABLE TYPE	MLCA046 3 Core Round Brown Braid PVC

Fixing Bracket MLWB17



Product Notes:

1) Lamps not included with light fixture. 2) All products are individually hand crafted, therefore may differ slightly within manufacturing tolerances. 3) Please refer to: <http://www.mullanlighting.com/terms> for full list of Terms & Conditions. 4) Cable/Chain can be shortened during installation. 5) Longer Cable/Chain available on request. 6) Additional colour finishes available on request. 7.) Dimensions do not include lamps. 8.) Products wired to UL standards will operate at 110/120v with the appropriate lampholders.