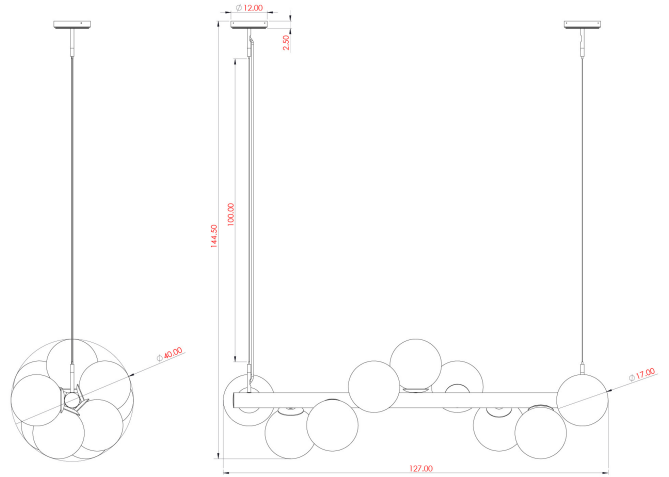


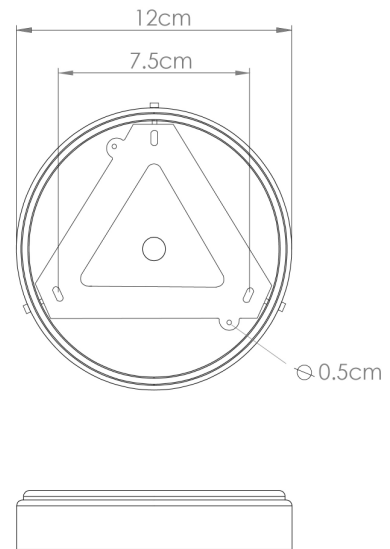
# MORIARTY Chandelier

MLF358ANTBRS Antiqued Brass



MATERIAL	Brass
HEIGHT	144.5cm   56.89"
WIDTH   DIAMETER	40cm   15.75"
LENGTH   PROJECTION	127cm   50"
WEIGHT	13.5KG   29.76lbs
LAMPHOLDER	E27 x 9
MAX WATTAGE	40W x 9
VOLTAGE	220/240v
IP RATING	20
CLASS PROTECTION	I
SHADE	GL179 GL180 GL183
FLEX   BAR   CHAIN LENGT	100cm   40"
CABLE TYPE	MLCA013   3 Core Round   Clear   PVC

Fixing Bracket MLWB17

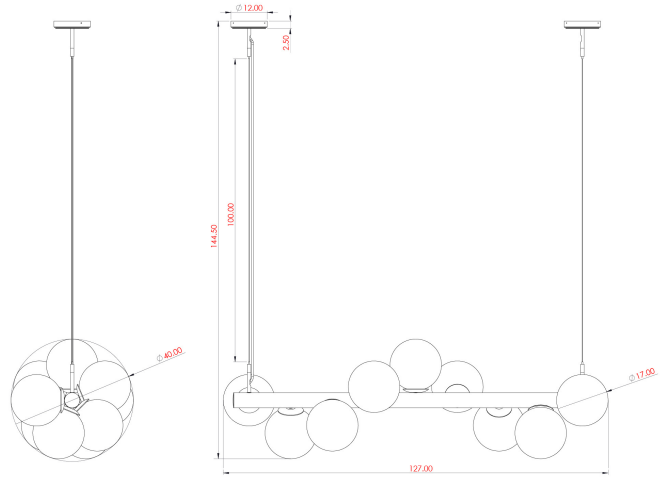


**Product Notes:**

1) Lamps not included with light fixture. 2) All products are individually hand crafted, therefore may differ slightly within manufacturing tolerances. 3) Please refer to: <http://www.mullanlighting.com/terms> for full list of Terms & Conditions. 4) Cable/Chain can be shortened during installation. 5) Longer Cable/Chain available on request. 6) Additional colour finishes available on request. 7.) Dimensions do not include lamps. 8.) Products wired to UL standards will operate at 110/120v with the appropriate lampholders.

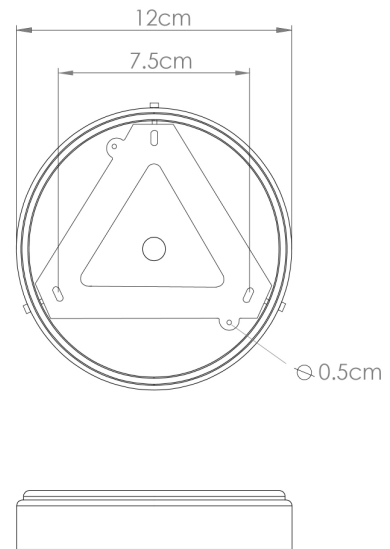
# MORIARTY Chandelier

MLF358ANTSLV Antique Silver



MATERIAL	Brass
HEIGHT	144.5cm   56.89"
WIDTH   DIAMETER	40cm   15.75"
LENGTH   PROJECTION	127cm   50"
WEIGHT	13.5KG   29.76lbs
LAMPHOLDER	E27 x 9
MAX WATTAGE	40W x 9
VOLTAGE	220/240v
IP RATING	20
CLASS PROTECTION	I
SHADE	GL179 GL180 GL183
FLEX   BAR   CHAIN LENGT	100cm   40"
CABLE TYPE	MLCA013   3 Core Round   Clear   PVC

Fixing Bracket MLWB17

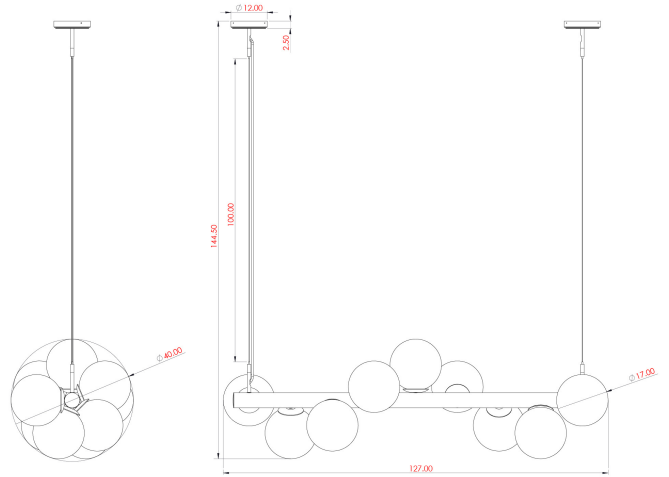


Product Notes:

1) Lamps not included with light fixture. 2) All products are individually hand crafted, therefore may differ slightly within manufacturing tolerances. 3) Please refer to: <http://www.mullanlighting.com/terms> for full list of Terms & Conditions. 4) Cable/Chain can be shortened during installation. 5) Longer Cable/Chain available on request. 6) Additional colour finishes available on request. 7.) Dimensions do not include lamps. 8.) Products wired to UL standards will operate at 110/120v with the appropriate lampholders.

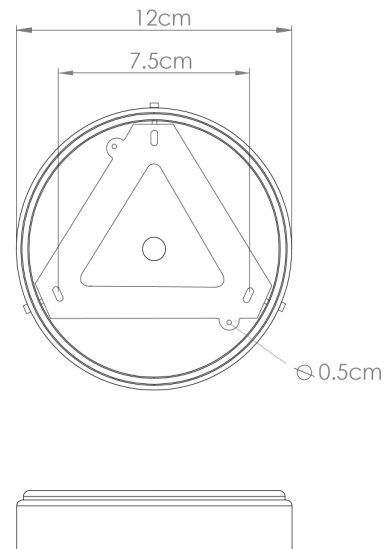
# MORIARTY Chandelier

MLF358PCMBKANTBRS Antique Brass



MATERIAL	Steel   Brass
HEIGHT	144.5cm   56.89"
WIDTH   DIAMETER	40cm   15.75"
LENGTH   PROJECTION	127cm   50"
WEIGHT	13.5KG   29.76lbs
LAMPHOLDER	E27 x 9
MAX WATTAGE	40W x 9
VOLTAGE	220/240v
IP RATING	20
CLASS PROTECTION	I
SHADE	GL179 GL180 GL183
FLEX   BAR   CHAIN LENGT	100cm   40"
CABLE TYPE	MLCA013   3 Core Round   Clear   PVC

Fixing Bracket MLWB17

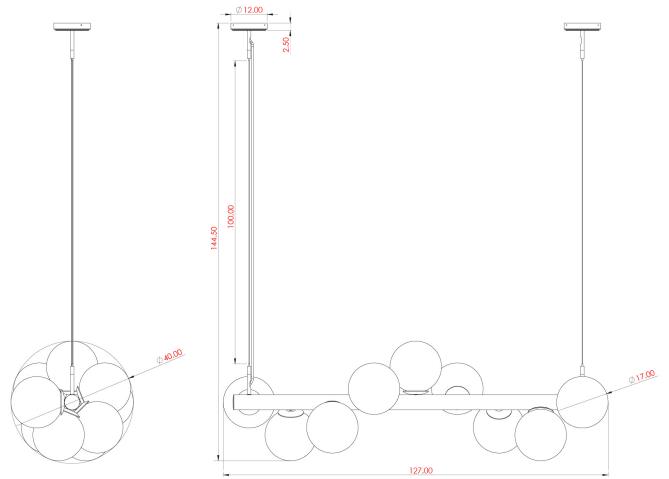


Product Notes:

1) Lamps not included with light fixture. 2) All products are individually hand crafted, therefore may differ slightly within manufacturing tolerances. 3) Please refer to: <http://www.mullanlighting.com/terms> for full list of Terms & Conditions. 4) Cable/Chain can be shortened during installation. 5) Longer Cable/Chain available on request. 6) Additional colour finishes available on request. 7.) Dimensions do not include lamps. 8.) Products wired to UL standards will operate at 110/120v with the appropriate lampholders.

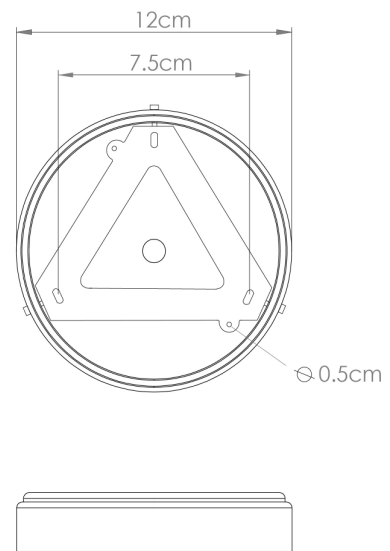
# MORIARTY Chandelier

MLF358POLBRS Polished Brass



MATERIAL	Brass
HEIGHT	144.5cm   56.89"
WIDTH   DIAMETER	40cm   15.75"
LENGTH   PROJECTION	127cm   50"
WEIGHT	13.5KG   29.76lbs
LAMPHOLDER	E27 x 9
MAX WATTAGE	40W x 9
VOLTAGE	220/240v
IP RATING	20
CLASS PROTECTION	I
SHADE	GL179 GL180 GL183
FLEX   BAR   CHAIN LENGT	100cm   40"
CABLE TYPE	MLCA013   3 Core Round   Clear   PVC

Fixing Bracket MLWB17

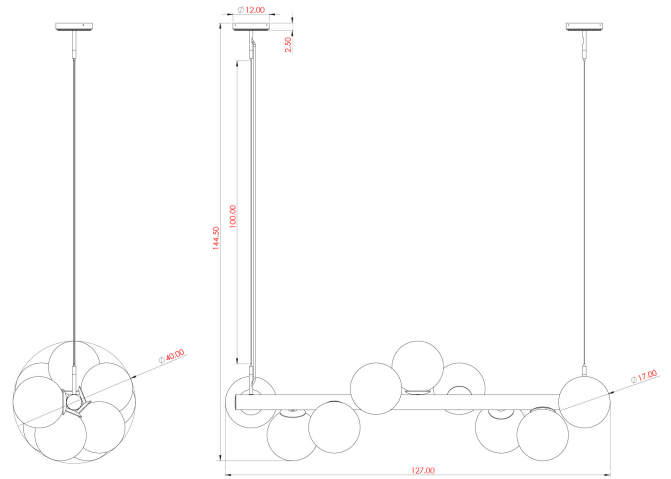


**Product Notes:**

1) Lamps not included with light fixture. 2) All products are individually hand crafted, therefore may differ slightly within manufacturing tolerances. 3) Please refer to: <http://www.mullanlighting.com/terms> for full list of Terms & Conditions. 4) Cable/Chain can be shortened during installation. 5) Longer Cable/Chain available on request. 6) Additional colour finishes available on request. 7) Dimensions do not include lamps. 8) Products wired to UL standards will operate at 110/120v with the appropriate lampholders.

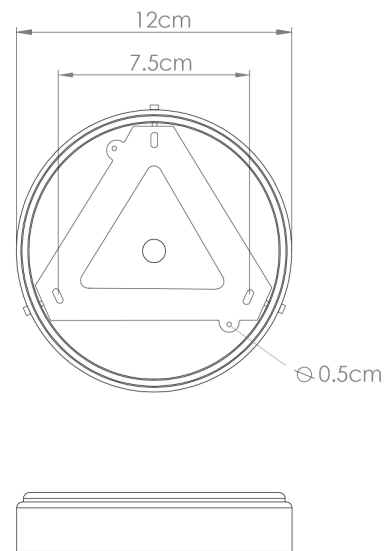
# MORIARTY Chandelier

MLF358SATBRS Satin Brass



MATERIAL	Brass
HEIGHT	144.5cm   56.89"
WIDTH   DIAMETER	40cm   15.75"
LENGTH   PROJECTION	127cm   50"
WEIGHT	13.5KG   29.76lbs
LAMPHOLDER	E27 x 9
MAX WATTAGE	40W x 9
VOLTAGE	220/240v
IP RATING	20
CLASS PROTECTION	I
SHADE	GL179 GL180 GL183
FLEX   BAR   CHAIN LENGT	100cm   40"
CABLE TYPE	MLCA013   3 Core Round   Clear   PVC

Fixing Bracket MLWB17



Product Notes:

1) Lamps not included with light fixture. 2) All products are individually hand crafted, therefore may differ slightly within manufacturing tolerances. 3) Please refer to: <http://www.mullanlighting.com/terms> for full list of Terms & Conditions. 4) Cable/Chain can be shortened during installation. 5) Longer Cable/Chain available on request. 6) Additional colour finishes available on request. 7.) Dimensions do not include lamps. 8.) Products wired to UL standards will operate at 110/120v with the appropriate lampholders.