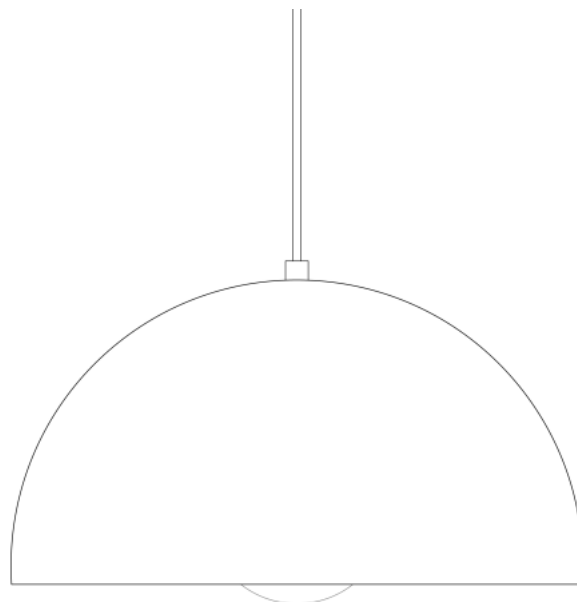


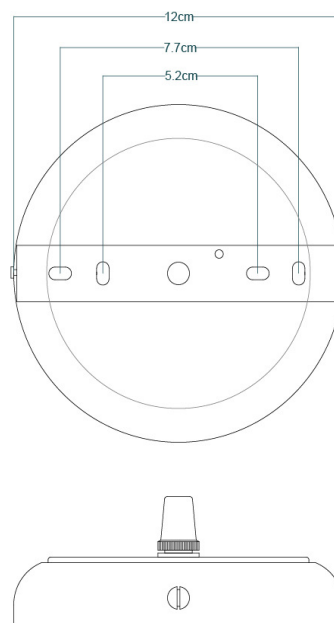
# MAUA 30CM Pendant

MLP410ANTBRS Antiqu Brass



MATERIAL	Brass
HEIGHT	16cm   6.3"
WIDTH   DIAMETER	30cm   11.81"
LENGTH   PROJECTION	n/a
WEIGHT	1.28KG   2.82lbs
LAMPHOLDER	E27 x 1
MAX WATTAGE	40W x 1
VOLTAGE	220/240v
IP RATING	20
CLASS PROTECTION	I
SHADE	-
FLEX   BAR   CHAIN LENGT	100cm   40"
CABLE TYPE	MLCA047   2 Core Round   Brown Braid   PVC

Fixing Bracket MLROSE21 | Antiqu Brass

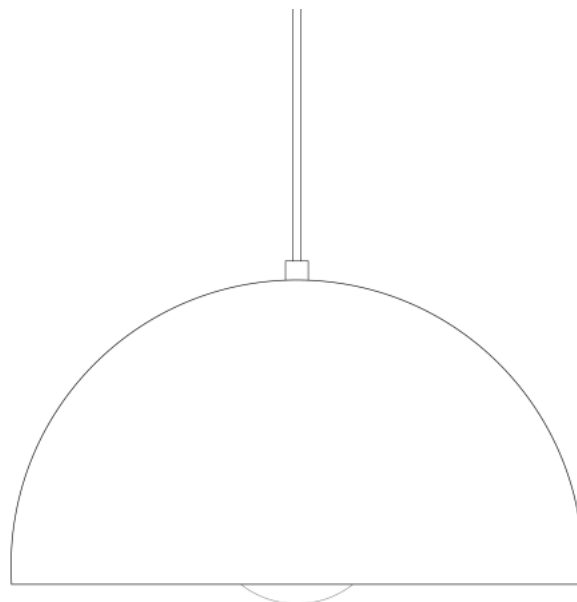


Product Notes:

1) Lamps not included with light fixture. 2) All products are individually hand crafted, therefore may differ slightly within manufacturing tolerances. 3) Please refer to: <http://www.mullanlighting.com/terms> for full list of Terms & Conditions. 4) Cable/Chain can be shortened during installation. 5) Longer Cable/Chain available on request. 6) Additional colour finishes available on request. 7.) Dimensions do not include lamps. 8.) Products wired to UL standards will operate at 110/120v with the appropriate lampholders.

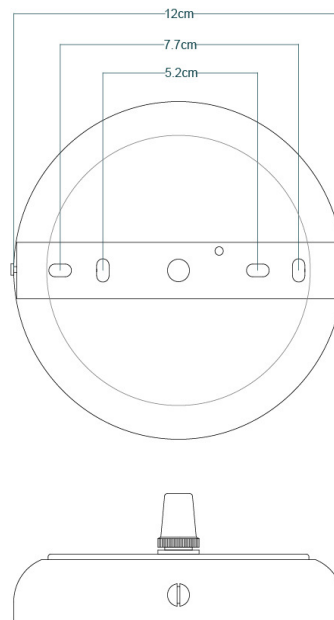
# MAUA 30CM Pendant

MLP410ANTSLV    Antique Silver



MATERIAL	Brass
HEIGHT	16cm   6.3"
WIDTH   DIAMETER	30cm   11.81"
LENGTH   PROJECTION	n/a
WEIGHT	1.28KG   2.82lbs
LAMPHOLDER	E27 x 1
MAX WATTAGE	40W x 1
VOLTAGE	220/240v
IP RATING	20
CLASS PROTECTION	I
SHADE	-
FLEX   BAR   CHAIN LENGT	100cm   40"
CABLE TYPE	MLCA028   2 Core Round   Black Braid   PVC

Fixing Bracket    MLROSE21 | Antique Silver

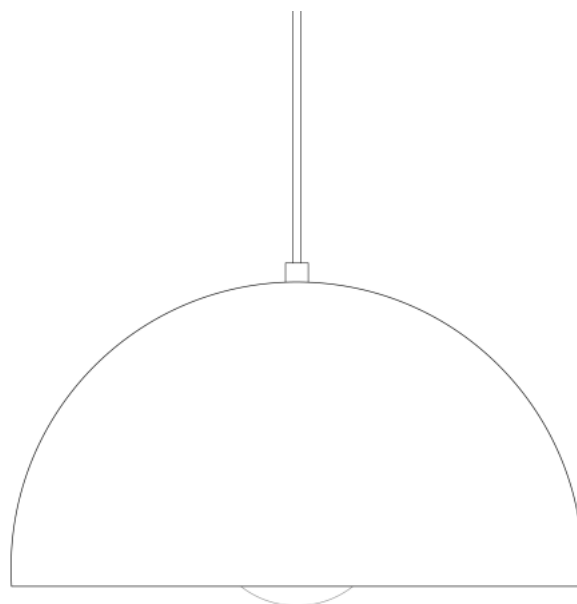


**Product Notes:**

1) Lamps not included with light fixture. 2) All products are individually hand crafted, therefore may differ slightly within manufacturing tolerances. 3) Please refer to: <http://www.mullanlighting.com/terms> for full list of Terms & Conditions. 4) Cable/Chain can be shortened during installation. 5) Longer Cable/Chain available on request. 6) Additional colour finishes available on request. 7.) Dimensions do not include lamps. 8.) Products wired to UL standards will operate at 110/120v with the appropriate lampholders.

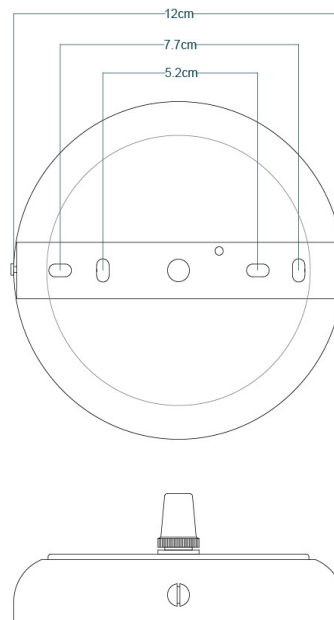
## MAUA 30CM Pendant

MLP410POLBRS Polished Brass



MATERIAL	Brass
HEIGHT	16cm   6.3"
WIDTH   DIAMETER	30cm   11.81"
LENGTH   PROJECTION	n/a
WEIGHT	1.28KG   2.82lbs
LAMPHOLDER	E27 x 1
MAX WATTAGE	40W x 1
VOLTAGE	220/240v
IP RATING	20
CLASS PROTECTION	I
SHADE	-
FLEX   BAR   CHAIN LENGT	100cm   40"
CABLE TYPE	MLCA028   2 Core Round   Black Braid   PVC

Fixing Bracket MLROSE21 | Polished Brass

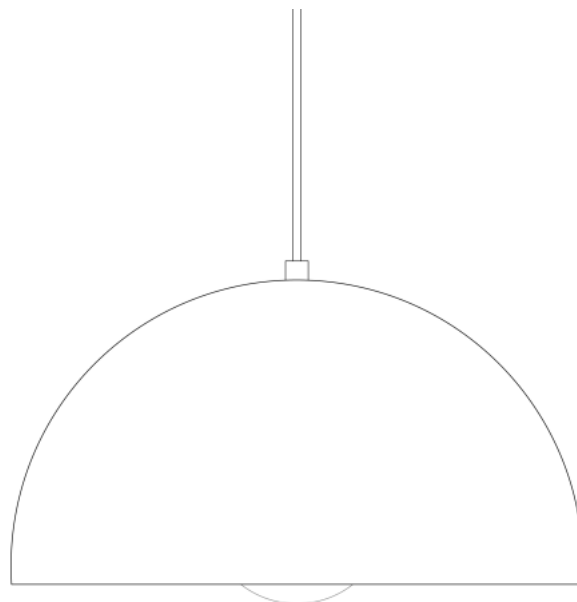


Product Notes:

1) Lamps not included with light fixture. 2) All products are individually hand crafted, therefore may differ slightly within manufacturing tolerances. 3) Please refer to: <http://www.mullanlighting.com/terms> for full list of Terms & Conditions. 4) Cable/Chain can be shortened during installation. 5) Longer Cable/Chain available on request. 6) Additional colour finishes available on request. 7.) Dimensions do not include lamps. 8.) Products wired to UL standards will operate at 110/120v with the appropriate lampholders.

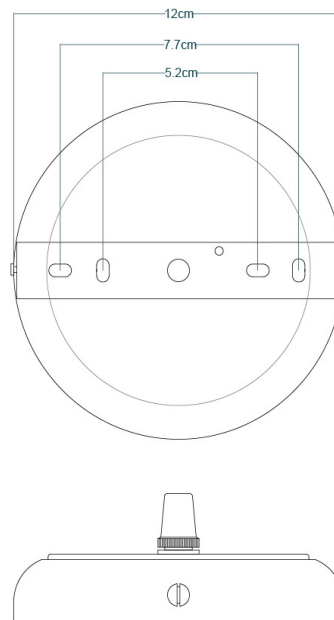
# MAUA 30CM Pendant

MLP410SATBRS Satin Brass



MATERIAL	Brass
HEIGHT	16cm   6.3"
WIDTH   DIAMETER	30cm   11.81"
LENGTH   PROJECTION	n/a
WEIGHT	1.28KG   2.82lbs
LAMPHOLDER	E27 x 1
MAX WATTAGE	40W x 1
VOLTAGE	220/240v
IP RATING	20
CLASS PROTECTION	I
SHADE	-
FLEX   BAR   CHAIN LENGT	100cm   40"
CABLE TYPE	MLCA028   2 Core Round   Black Braid   PVC

Fixing Bracket MLROSE21 | Satin Brass



Product Notes:

1) Lamps not included with light fixture. 2) All products are individually hand crafted, therefore may differ slightly within manufacturing tolerances. 3) Please refer to: <http://www.mullanlighting.com/terms> for full list of Terms & Conditions. 4) Cable/Chain can be shortened during installation. 5) Longer Cable/Chain available on request. 6) Additional colour finishes available on request. 7.) Dimensions do not include lamps. 8.) Products wired to UL standards will operate at 110/120v with the appropriate lampholders.