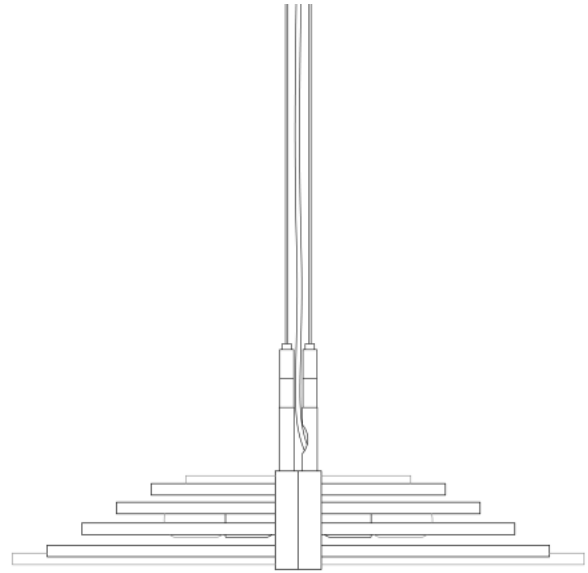


VICTORIA Pendant

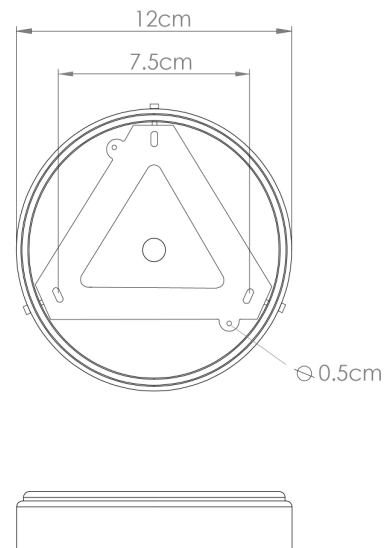
MLP458ANTBRS Antique Brass



MATERIAL	Brass Steel
HEIGHT	10cm 3.94"
WIDTH DIAMETER	57cm 22.44"
LENGTH PROJECTION	n/a
WEIGHT	2.9KG 6.39lbs
LAMPHOLDER	E27 or E26
MAX WATTAGE	60W x 2
VOLTAGE	220/240v or 110/120v
IP RATING	20
CLASS PROTECTION	I
SHADE	-
FLEX BAR CHAIN LENGT	100cm 40"
CABLE TYPE	MLCA046 3 Core Round Brown Braid PVC

Fixing Bracket MLWB17 | Antique Brass

*For UL wired lights, fixing bracket may differ

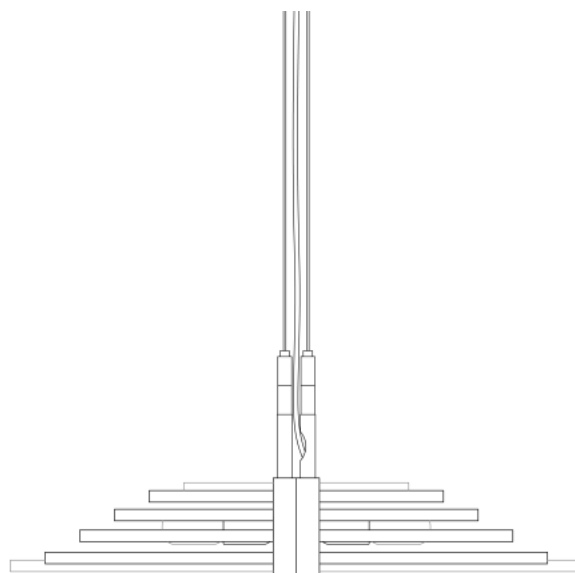


Product Notes:

1) Lamps not included with light fixture. 2) All products are individually hand crafted, therefore may differ slightly within manufacturing tolerances. 3) Please refer to: <http://www.mullanlighting.com/terms> for full list of Terms & Conditions. 4) Cable/Chain can be shortened during installation. 5) Longer Cable/Chain available on request. 6) Additional colour finishes available on request. 7.) Dimensions do not include lamps. 8.) Products wired to UL standards will operate at 110/120v with the appropriate lampholders.

VICTORIA Pendant

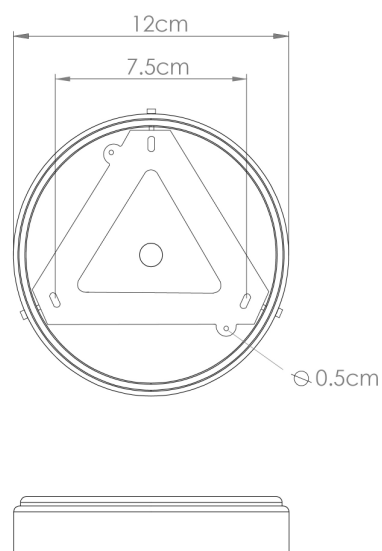
MLP458ANTSLV Antique Silver



MATERIAL	Brass Steel
HEIGHT	10cm 3.94"
WIDTH DIAMETER	57cm 22.44"
LENGTH PROJECTION	n/a
WEIGHT	2.9KG 6.39lbs
LAMPHOLDER	E27 or E26
MAX WATTAGE	60W x 2
VOLTAGE	220/240v or 110/120v
IP RATING	20
CLASS PROTECTION	I
SHADE	-
FLEX BAR CHAIN LENGT	100cm 40"
CABLE TYPE	MLCA029 3 Core Round Black Braid PVC

Fixing Bracket MLWB17 | Antique Silver

*For UL wired lights, fixing bracket may differ

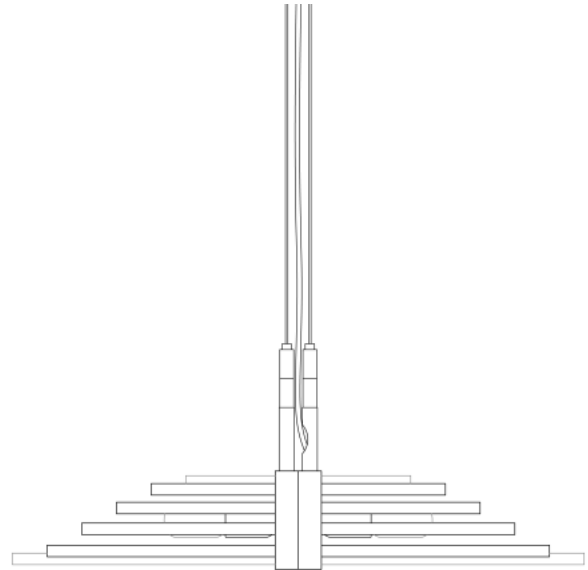


Product Notes:

1) Lamps not included with light fixture. 2) All products are individually hand crafted, therefore may differ slightly within manufacturing tolerances. 3) Please refer to: <http://www.mullanlighting.com/terms> for full list of Terms & Conditions. 4) Cable/Chain can be shortened during installation. 5) Longer Cable/Chain available on request. 6) Additional colour finishes available on request. 7) Dimensions do not include lamps. 8) Products wired to UL standards will operate at 110/120v with the appropriate lampholders.

VICTORIA Pendant

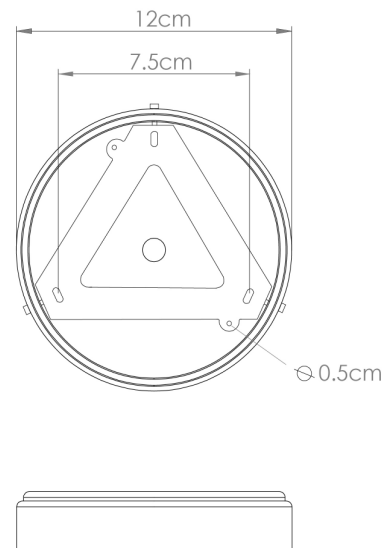
MLP458POLBRS Polished Brass



MATERIAL	Brass Steel
HEIGHT	10cm 3.94"
WIDTH DIAMETER	57cm 22.44"
LENGTH PROJECTION	n/a
WEIGHT	2.9KG 6.39lbs
LAMPHOLDER	E27 or E26
MAX WATTAGE	60W x 2
VOLTAGE	220/240v or 110/120v
IP RATING	20
CLASS PROTECTION	I
SHADE	-
FLEX BAR CHAIN LENGT	100cm 40"
CABLE TYPE	MLCA029 3 Core Round Black Braid PVC

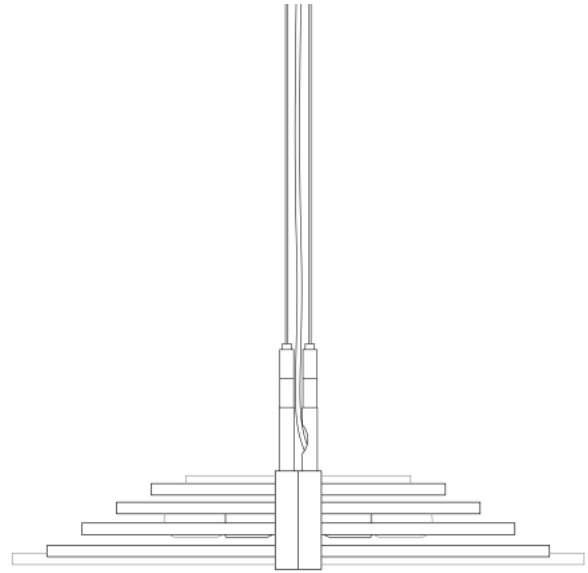
Fixing Bracket MLWB17 | Polished Brass

*For UL wired lights, fixing bracket may differ



Product Notes:

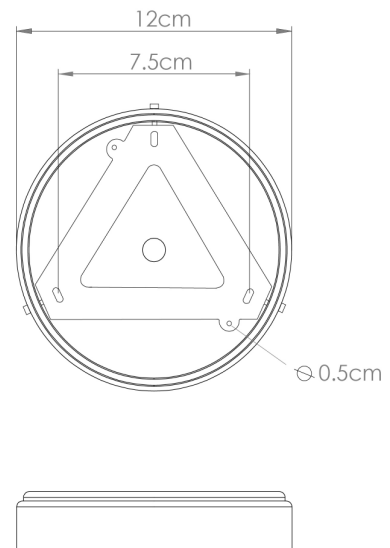
1) Lamps not included with light fixture. 2) All products are individually hand crafted, therefore may differ slightly within manufacturing tolerances. 3) Please refer to: <http://www.mullanlighting.com/terms> for full list of Terms & Conditions. 4) Cable/Chain can be shortened during installation. 5) Longer Cable/Chain available on request. 6) Additional colour finishes available on request. 7.) Dimensions do not include lamps. 8.) Products wired to UL standards will operate at 110/120v with the appropriate lampholders.



MATERIAL	Brass Steel
HEIGHT	10cm 3.94"
WIDTH DIAMETER	57cm 22.44"
LENGTH PROJECTION	n/a
WEIGHT	2.9KG 6.39lbs
LAMPHOLDER	E27 or E26
MAX WATTAGE	60W x 2
VOLTAGE	220/240v or 110/120v
IP RATING	20
CLASS PROTECTION	I
SHADE	-
FLEX BAR CHAIN LENGT	100cm 40"
CABLE TYPE	MLCA029 3 Core Round Black Braid PVC

Fixing Bracket MLWB17 | Satin Brass

*For UL wired lights, fixing bracket may differ



Product Notes:

1) Lamps not included with light fixture. 2) All products are individually hand crafted, therefore may differ slightly within manufacturing tolerances. 3) Please refer to: <http://www.mullanlighting.com/terms> for full list of Terms & Conditions. 4) Cable/Chain can be shortened during installation. 5) Longer Cable/Chain available on request. 6) Additional colour finishes available on request. 7.) Dimensions do not include lamps. 8.) Products wired to UL standards will operate at 110/120v with the appropriate lampholders.