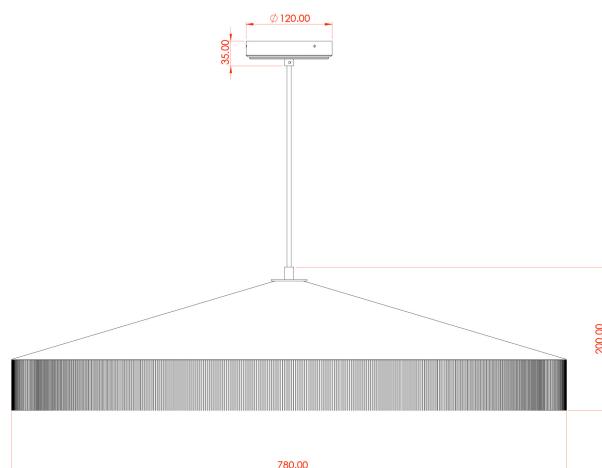


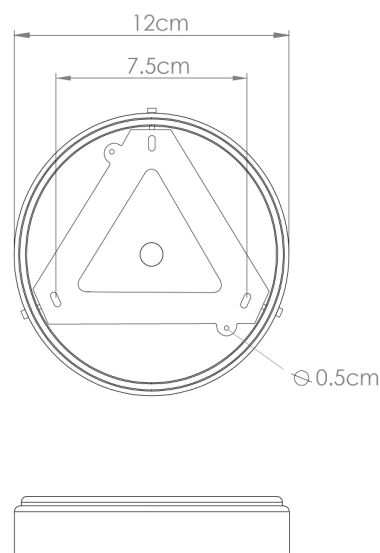
SYRACUSE Pendant

MLP500ANTBRSBL Antique Brass



MATERIAL	Brass Raffia
HEIGHT	18cm 7.09"
WIDTH DIAMETER	78cm 30.71"
LENGTH PROJECTION	n/a
WEIGHT	0.8KG 1.76lbs
LAMPHOLDER	E27 x 1
MAX WATTAGE	40W x 1
VOLTAGE	220/240v
IP RATING	20
CLASS PROTECTION	I
SHADE	-
FLEX BAR CHAIN LENGT	100cm 40"
CABLE TYPE	MLCA047 2 Core Round Brown Braid PVC

Fixing Bracket MLWB17



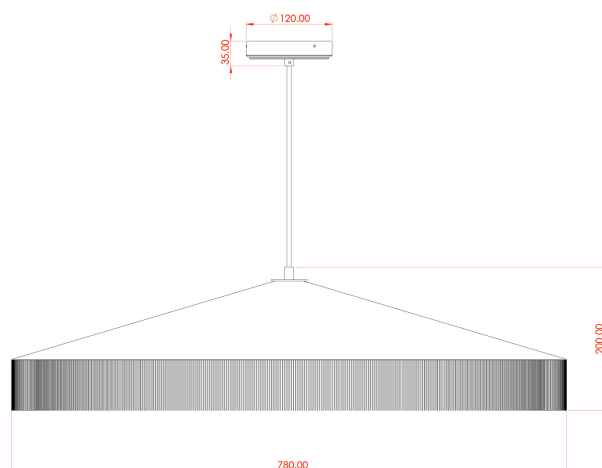
Product Notes:

- 1) Lamps not included with light fixture.
- 2) All products are individually hand crafted, therefore may differ slightly within manufacturing tolerances.
- 3) Please refer to: <http://www.mullanlighting.com/terms> for full list of Terms & Conditions.
- 4) Cable/Chain can be shortened during installation.
- 5) Longer Cable/Chain available on request.
- 6) Additional colour finishes available on request.
- 7.) Dimensions do not include lamps.
- 8.) Products wired to UL standards will operate at 110/120v with the appropriate lampholders.



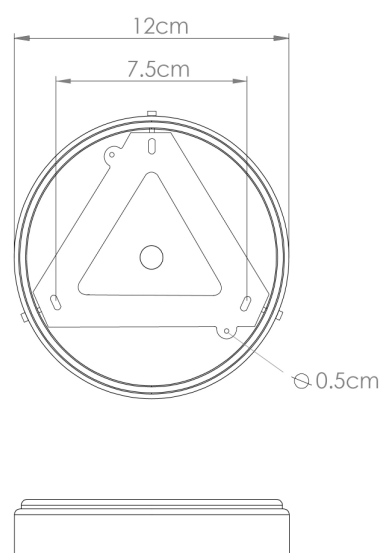
SYRACUSE Pendant

MLP500ANTBRSBR Antique Brass



MATERIAL	Brass Raffia
HEIGHT	18cm 7.09"
WIDTH DIAMETER	78cm 30.71"
LENGTH PROJECTION	n/a
WEIGHT	0.8KG 1.76lbs
LAMPHOLDER	E27 x 1
MAX WATTAGE	40W x 1
VOLTAGE	220/240v
IP RATING	20
CLASS PROTECTION	I
SHADE	-
FLEX BAR CHAIN LENGT	100cm 40"
CABLE TYPE	MLCA028 2 Core Round Black Braid PVC

Fixing Bracket MLWB17

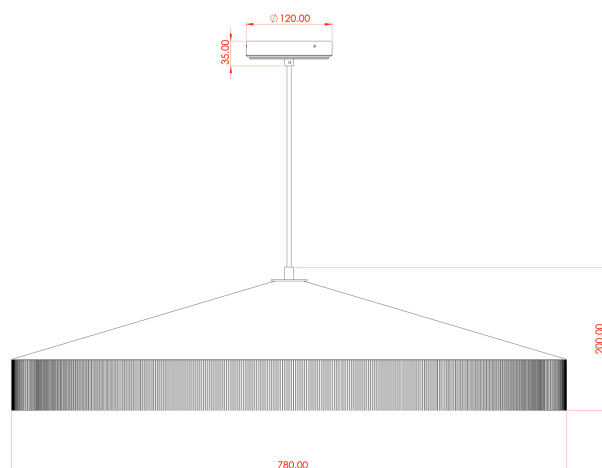


Product Notes:

- 1) Lamps not included with light fixture.
- 2) All products are individually hand crafted, therefore may differ slightly within manufacturing tolerances.
- 3) Please refer to: <http://www.mullanlighting.com/terms> for full list of Terms & Conditions.
- 4) Cable/Chain can be shortened during installation.
- 5) Longer Cable/Chain available on request.
- 6) Additional colour finishes available on request.
- 7.) Dimensions do not include lamps.
- 8.) Products wired to UL standards will operate at 110/120v with the appropriate lampholders.

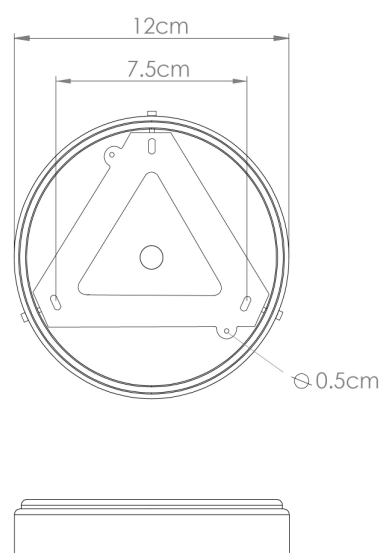
SYRACUSE Pendant

MLP500ANTSLVBL Antique Silver



MATERIAL	Brass Raffia
HEIGHT	18cm 7.09"
WIDTH DIAMETER	78cm 30.71"
LENGTH PROJECTION	n/a
WEIGHT	0.8KG 1.76lbs
LAMPHOLDER	E27 x 1
MAX WATTAGE	40W x 1
VOLTAGE	220/240v
IP RATING	20
CLASS PROTECTION	I
SHADE	-
FLEX BAR CHAIN LENGT	100cm 40"
CABLE TYPE	MLCA028 2 Core Round Black Braid PVC

Fixing Bracket MLWB17

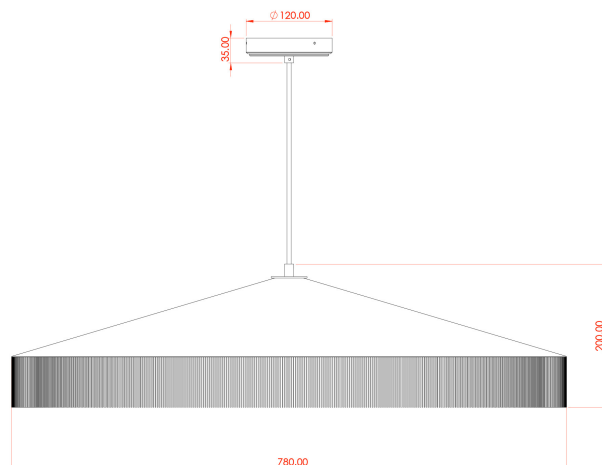


Product Notes:

- 1) Lamps not included with light fixture.
- 2) All products are individually hand crafted, therefore may differ slightly within manufacturing tolerances.
- 3) Please refer to: <http://www.mullanlighting.com/terms> for full list of Terms & Conditions.
- 4) Cable/Chain can be shortened during installation.
- 5) Longer Cable/Chain available on request.
- 6) Additional colour finishes available on request.
- 7.) Dimensions do not include lamps.
- 8.) Products wired to UL standards will operate at 110/120v with the appropriate lampholders.

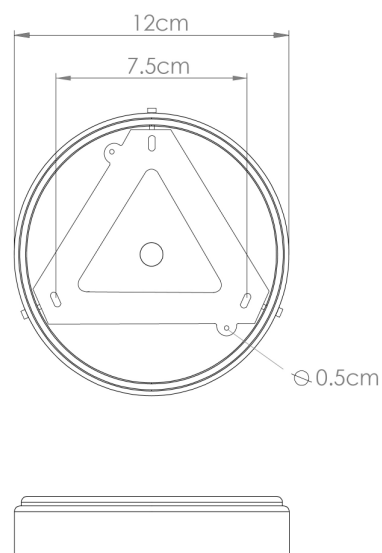
SYRACUSE Pendant

MLP500ANTSLVBR Antique Silver



MATERIAL	Brass Raffia
HEIGHT	18cm 7.09"
WIDTH DIAMETER	78cm 30.71"
LENGTH PROJECTION	n/a
WEIGHT	0.8KG 1.76lbs
LAMPHOLDER	E27 x 1
MAX WATTAGE	40W x 1
VOLTAGE	220/240v
IP RATING	20
CLASS PROTECTION	I
SHADE	-
FLEX BAR CHAIN LENGT	100cm 40"
CABLE TYPE	MLCA028 2 Core Round Black Braid PVC

Fixing Bracket MLWB17

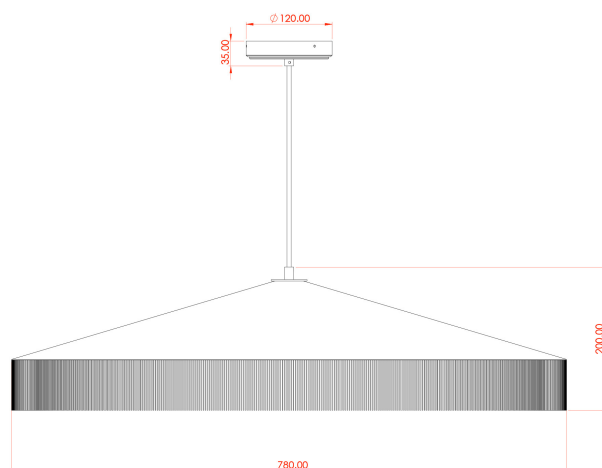


Product Notes:

- 1) Lamps not included with light fixture.
- 2) All products are individually hand crafted, therefore may differ slightly within manufacturing tolerances.
- 3) Please refer to: <http://www.mullanlighting.com/terms> for full list of Terms & Conditions.
- 4) Cable/Chain can be shortened during installation.
- 5) Longer Cable/Chain available on request.
- 6) Additional colour finishes available on request.
- 7.) Dimensions do not include lamps.
- 8.) Products wired to UL standards will operate at 110/120v with the appropriate lampholders.

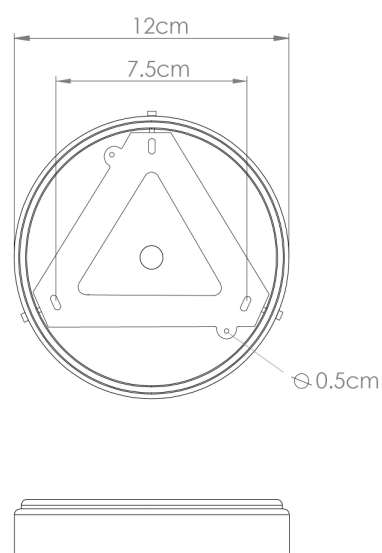
SYRACUSE Pendant

MLP500PCMBKBL Matt Black



MATERIAL	Brass Raffia
HEIGHT	18cm 7.09"
WIDTH DIAMETER	78cm 30.71"
LENGTH PROJECTION	n/a
WEIGHT	0.8KG 1.76lbs
LAMPHOLDER	E27 x 1
MAX WATTAGE	40W x 1
VOLTAGE	220/240v
IP RATING	20
CLASS PROTECTION	I
SHADE	-
FLEX BAR CHAIN LENGT	100cm 40"
CABLE TYPE	MLCA028 2 Core Round Black Braid PVC

Fixing Bracket MLWB17

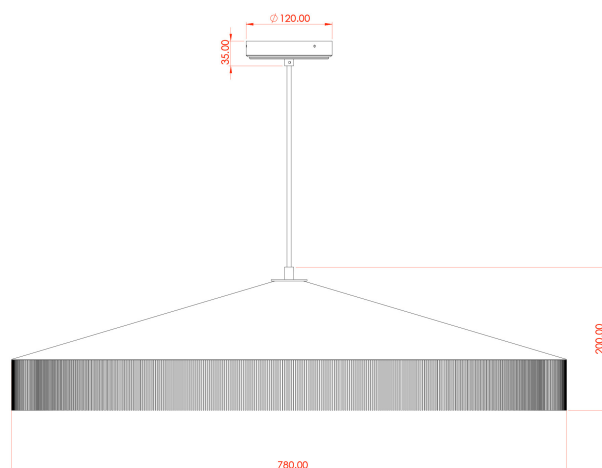


Product Notes:

- 1) Lamps not included with light fixture.
- 2) All products are individually hand crafted, therefore may differ slightly within manufacturing tolerances.
- 3) Please refer to: <http://www.mullanlighting.com/terms> for full list of Terms & Conditions.
- 4) Cable/Chain can be shortened during installation.
- 5) Longer Cable/Chain available on request.
- 6) Additional colour finishes available on request.
- 7.) Dimensions do not include lamps.
- 8.) Products wired to UL standards will operate at 110/120v with the appropriate lampholders.

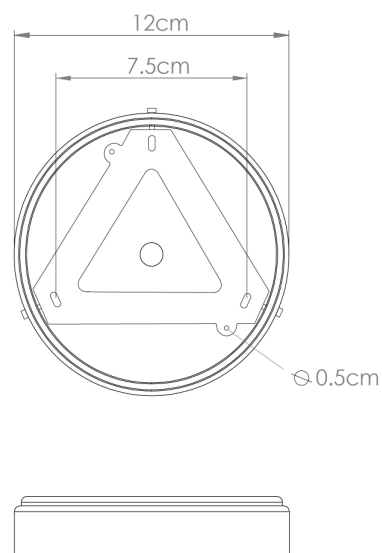
SYRACUSE Pendant

MLP500PCMBKBR Matt Black



MATERIAL	Brass Raffia
HEIGHT	18cm 7.09"
WIDTH DIAMETER	78cm 30.71"
LENGTH PROJECTION	n/a
WEIGHT	0.8KG 1.76lbs
LAMPHOLDER	E27 x 1
MAX WATTAGE	40W x 1
VOLTAGE	220/240v
IP RATING	20
CLASS PROTECTION	I
SHADE	-
FLEX BAR CHAIN LENGT	100cm 40"
CABLE TYPE	MLCA028 2 Core Round Black Braid PVC

Fixing Bracket MLWB17



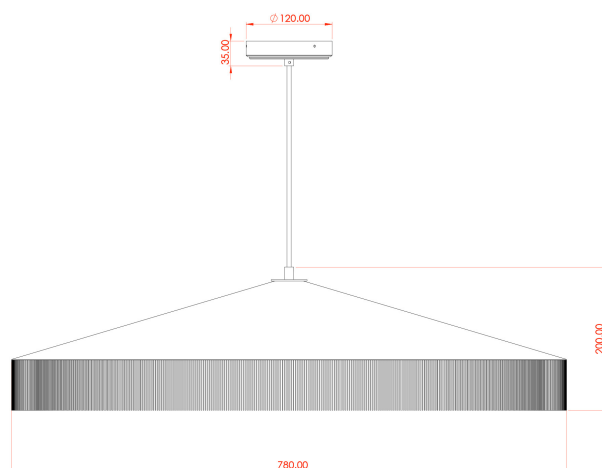
Product Notes:

- 1) Lamps not included with light fixture.
- 2) All products are individually hand crafted, therefore may differ slightly within manufacturing tolerances.
- 3) Please refer to: <http://www.mullanlighting.com/terms> for full list of Terms & Conditions.
- 4) Cable/Chain can be shortened during installation.
- 5) Longer Cable/Chain available on request.
- 6) Additional colour finishes available on request.
- 7.) Dimensions do not include lamps.
- 8.) Products wired to UL standards will operate at 110/120v with the appropriate lampholders.



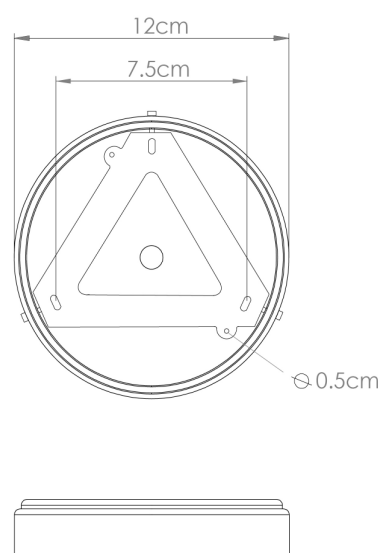
SYRACUSE Pendant

MLP500POLBRSBL Polished Brass



MATERIAL	Brass Raffia
HEIGHT	18cm 7.09"
WIDTH DIAMETER	78cm 30.71"
LENGTH PROJECTION	n/a
WEIGHT	0.8KG 1.76lbs
LAMPHOLDER	E27 x 1
MAX WATTAGE	40W x 1
VOLTAGE	220/240v
IP RATING	20
CLASS PROTECTION	I
SHADE	-
FLEX BAR CHAIN LENGT	100cm 40"
CABLE TYPE	MLCA028 2 Core Round Black Braid PVC

Fixing Bracket MLWB17

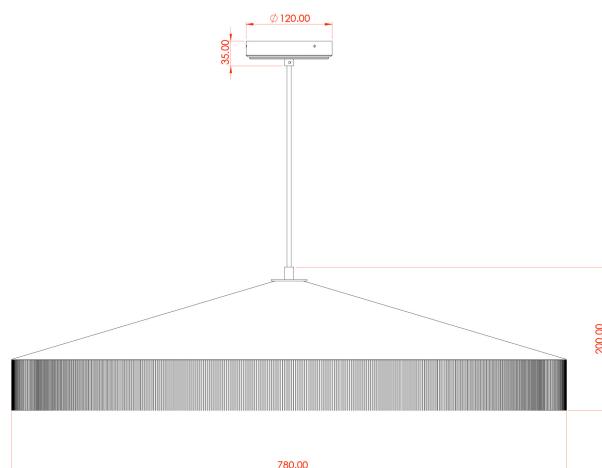


Product Notes:
 1) Lamps not included with light fixture. 2) All products are individually hand crafted, therefore may differ slightly within manufacturing tolerances. 3) Please refer to: <http://www.mullanlighting.com/terms> for full list of Terms & Conditions. 4) Cable/Chain can be shortened during installation. 5) Longer Cable/Chain available on request. 6) Additional colour finishes available on request. 7.) Dimensions do not include lamps. 8.) Products wired to UL standards will operate at 110/120v with the appropriate lampholders.



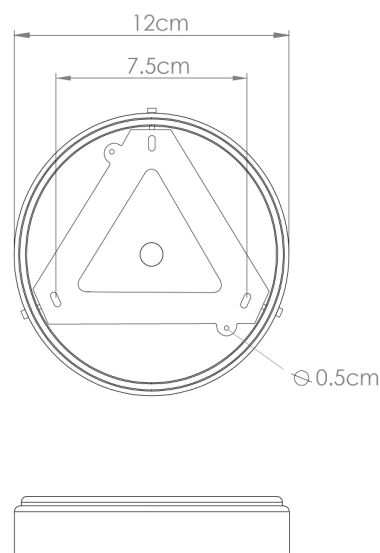
SYRACUSE Pendant

MLP500POLBRSBR Polished Brass



MATERIAL	Brass Raffia
HEIGHT	18cm 7.09"
WIDTH DIAMETER	78cm 30.71"
LENGTH PROJECTION	n/a
WEIGHT	0.8KG 1.76lbs
LAMPHOLDER	E27 x 1
MAX WATTAGE	40W x 1
VOLTAGE	220/240v
IP RATING	20
CLASS PROTECTION	I
SHADE	-
FLEX BAR CHAIN LENGT	100cm 40"
CABLE TYPE	MLCA028 2 Core Round Black Braid PVC

Fixing Bracket MLWB17



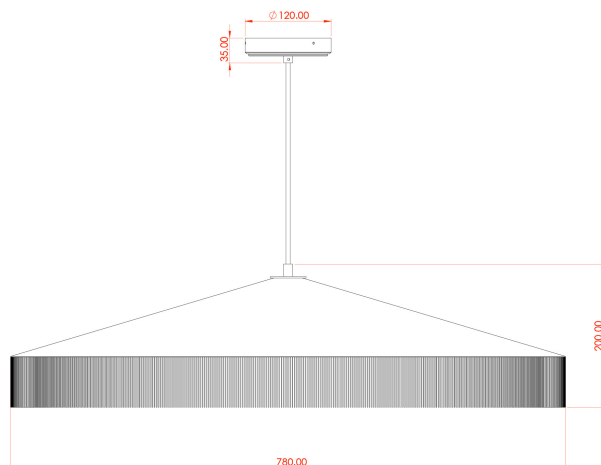
Product Notes:

- 1) Lamps not included with light fixture.
- 2) All products are individually hand crafted, therefore may differ slightly within manufacturing tolerances.
- 3) Please refer to: <http://www.mullanlighting.com/terms> for full list of Terms & Conditions.
- 4) Cable/Chain can be shortened during installation.
- 5) Longer Cable/Chain available on request.
- 6) Additional colour finishes available on request.
- 7.) Dimensions do not include lamps.
- 8.) Products wired to UL standards will operate at 110/120v with the appropriate lampholders.



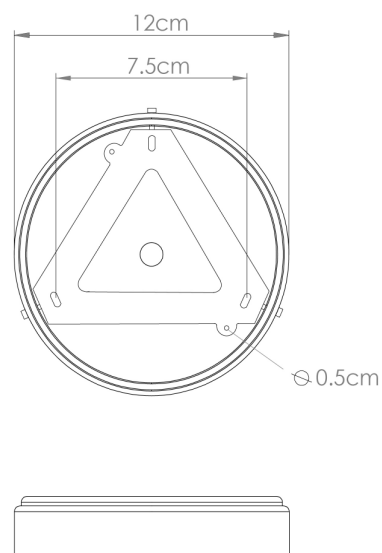
SYRACUSE Pendant

MLP500SATBRSBL Satin Brass



MATERIAL	Brass Raffia
HEIGHT	18cm 7.09"
WIDTH DIAMETER	78cm 30.71"
LENGTH PROJECTION	n/a
WEIGHT	0.8KG 1.76lbs
LAMPHOLDER	E27 x 1
MAX WATTAGE	40W x 1
VOLTAGE	220/240v
IP RATING	20
CLASS PROTECTION	I
SHADE	-
FLEX BAR CHAIN LENGT	100cm 40"
CABLE TYPE	MLCA028 2 Core Round Black Braid PVC

Fixing Bracket MLWB17

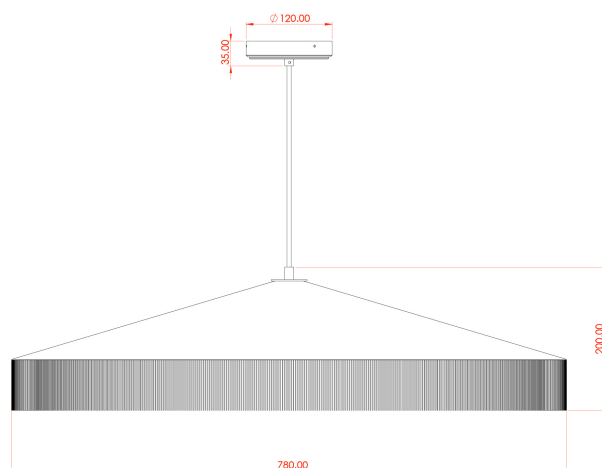


Product Notes:

- 1) Lamps not included with light fixture.
- 2) All products are individually hand crafted, therefore may differ slightly within manufacturing tolerances.
- 3) Please refer to: <http://www.mullanlighting.com/terms> for full list of Terms & Conditions.
- 4) Cable/Chain can be shortened during installation.
- 5) Longer Cable/Chain available on request.
- 6) Additional colour finishes available on request.
- 7.) Dimensions do not include lamps.
- 8.) Products wired to UL standards will operate at 110/120v with the appropriate lampholders.

SYRACUSE Pendant

MLP500SATBRSBR Satin Brass



MATERIAL	Brass Raffia
HEIGHT	18cm 7.09"
WIDTH DIAMETER	78cm 30.71"
LENGTH PROJECTION	n/a
WEIGHT	0.8KG 1.76lbs
LAMPHOLDER	E27 x 1
MAX WATTAGE	40W x 1
VOLTAGE	220/240v
IP RATING	20
CLASS PROTECTION	I
SHADE	-
FLEX BAR CHAIN LENGT	100cm 40"
CABLE TYPE	MLCA028 2 Core Round Black Braid PVC

Fixing Bracket MLWB17

