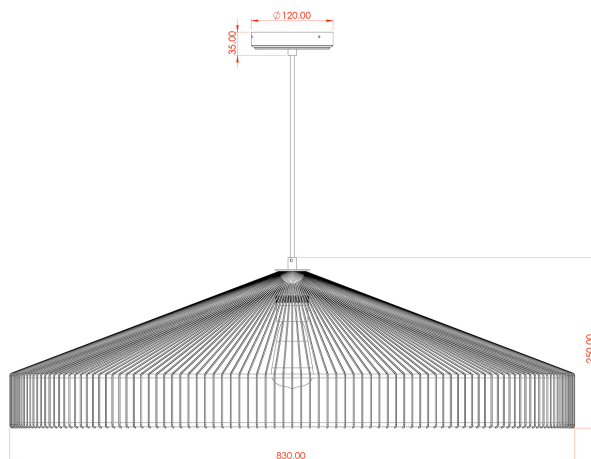


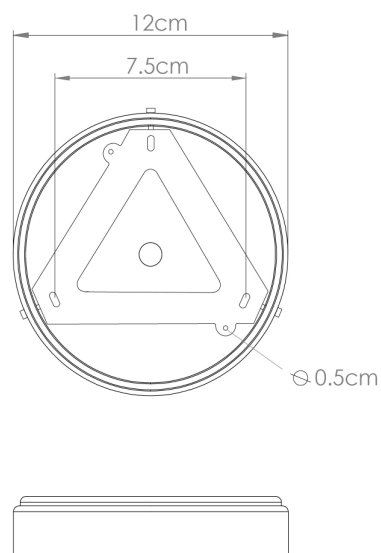
## VERNON Pendant

MLP501ANTBRS Antique Brass



MATERIAL	Brass   Rope
HEIGHT	23cm   9.06"
WIDTH   DIAMETER	83cm   32.68"
LENGTH   PROJECTION	n/a
WEIGHT	0.8KG   1.76lbs
LAMPHOLDER	E27 x 1
MAX WATTAGE	40W x 1
VOLTAGE	220/240v
IP RATING	20
CLASS PROTECTION	I
SHADE	-
FLEX   BAR   CHAIN LENGT	100cm   40"
CABLE TYPE	MLCA047   2 Core Round   Brown Braid   PVC

Fixing Bracket MLWB17

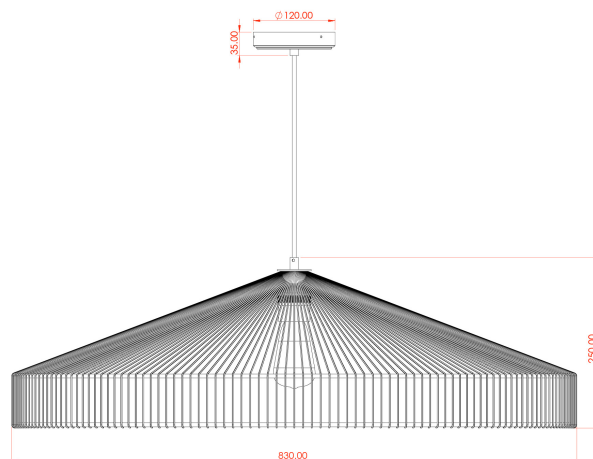


Product Notes:

1) Lamps not included with light fixture. 2) All products are individually hand crafted, therefore may differ slightly within manufacturing tolerances. 3) Please refer to: <http://www.mullanlighting.com/terms> for full list of Terms & Conditions. 4) Cable/Chain can be shortened during installation. 5) Longer Cable/Chain available on request. 6) Additional colour finishes available on request. 7.) Dimensions do not include lamps. 8.) Products wired to UL standards will operate at 110/120v with the appropriate lampholders.

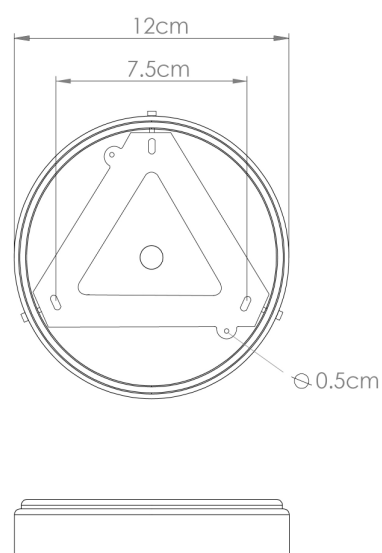
# VERNON Pendant

MLP501ANTSLV Antique Silver



MATERIAL	Brass   Rope
HEIGHT	23cm   9.06"
WIDTH   DIAMETER	83cm   32.68"
LENGTH   PROJECTION	n/a
WEIGHT	0.8KG   1.76lbs
LAMPHOLDER	E27 x 1
MAX WATTAGE	40W x 1
VOLTAGE	220/240v
IP RATING	20
CLASS PROTECTION	I
SHADE	-
FLEX   BAR   CHAIN LENGT	100cm   40"
CABLE TYPE	MLCA028   2 Core Round   Black Braid   PVC

Fixing Bracket MLWB17



Product Notes:

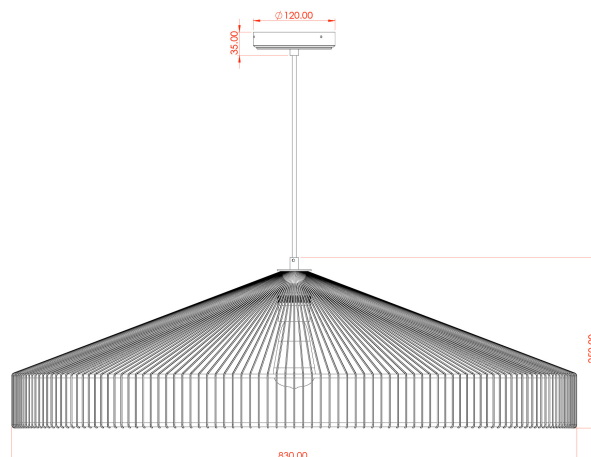
- 1) Lamps not included with light fixture.
- 2) All products are individually hand crafted, therefore may differ slightly within manufacturing tolerances.
- 3) Please refer to: <http://www.mullanlighting.com/terms> for full list of Terms & Conditions.
- 4) Cable/Chain can be shortened during installation.
- 5) Longer Cable/Chain available on request.
- 6) Additional colour finishes available on request.
- 7.) Dimensions do not include lamps.
- 8.) Products wired to UL standards will operate at 110/120v with the appropriate lampholders.

## VERNON Pendant

MLP501PCMBK Matt Black

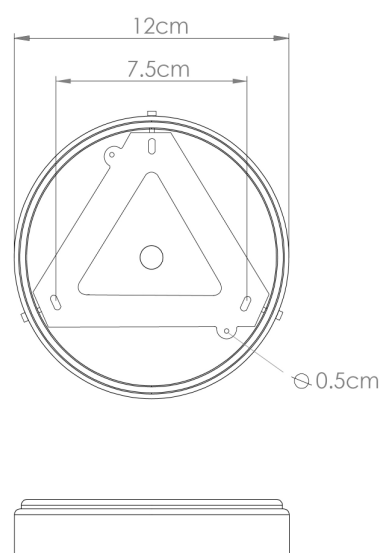


POWDER-COATED  
MATTE BLACK



MATERIAL	Brass   Rope
HEIGHT	23cm   9.06"
WIDTH   DIAMETER	83cm   32.68"
LENGTH   PROJECTION	n/a
WEIGHT	0.8KG   1.76lbs
LAMPHOLDER	E27 x 1
MAX WATTAGE	40W x 1
VOLTAGE	220/240v
IP RATING	20
CLASS PROTECTION	I
SHADE	-
FLEX   BAR   CHAIN LENGT	100cm   40"
CABLE TYPE	MLCA028   2 Core Round   Black Braid   PVC

Fixing Bracket MLWB17

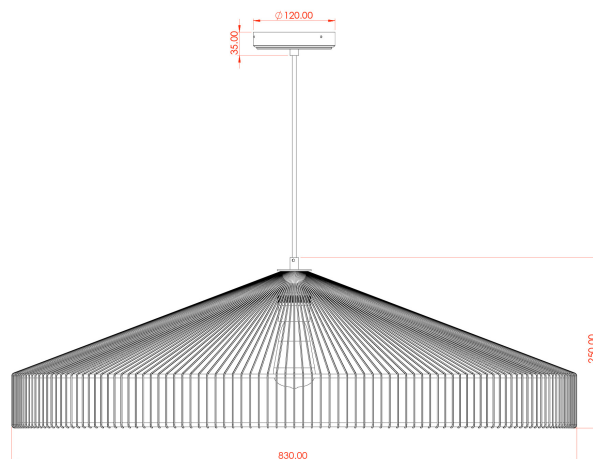


Product Notes:

1) Lamps not included with light fixture. 2) All products are individually hand crafted, therefore may differ slightly within manufacturing tolerances. 3) Please refer to: <http://www.mullanlighting.com/terms> for full list of Terms & Conditions. 4) Cable/Chain can be shortened during installation. 5) Longer Cable/Chain available on request. 6) Additional colour finishes available on request. 7.) Dimensions do not include lamps. 8.) Products wired to UL standards will operate at 110/120v with the appropriate lampholders.

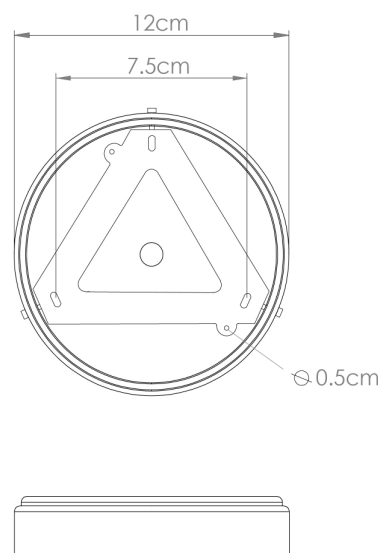
# VERNON Pendant

MLP501POLBRS Polished Brass



MATERIAL	Brass   Rope
HEIGHT	23cm   9.06"
WIDTH   DIAMETER	83cm   32.68"
LENGTH   PROJECTION	n/a
WEIGHT	0.8KG   1.76lbs
LAMPHOLDER	E27 x 1
MAX WATTAGE	40W x 1
VOLTAGE	220/240v
IP RATING	20
CLASS PROTECTION	I
SHADE	-
FLEX   BAR   CHAIN LENGT	100cm   40"
CABLE TYPE	MLCA028   2 Core Round   Black Braid   PVC

Fixing Bracket MLWB17

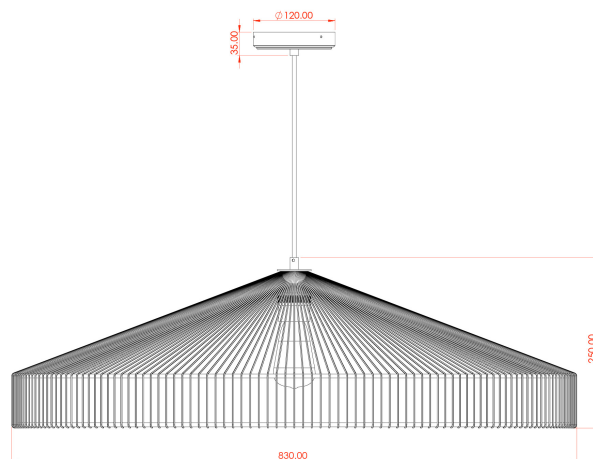


Product Notes:

- 1) Lamps not included with light fixture.
- 2) All products are individually hand crafted, therefore may differ slightly within manufacturing tolerances.
- 3) Please refer to: <http://www.mullanlighting.com/terms> for full list of Terms & Conditions.
- 4) Cable/Chain can be shortened during installation.
- 5) Longer Cable/Chain available on request.
- 6) Additional colour finishes available on request.
- 7.) Dimensions do not include lamps.
- 8.) Products wired to UL standards will operate at 110/120v with the appropriate lampholders.

# VERNON Pendant

MLP501SATBRS Satin Brass



MATERIAL	Brass   Rope
HEIGHT	23cm   9.06"
WIDTH   DIAMETER	83cm   32.68"
LENGTH   PROJECTION	n/a
WEIGHT	0.8KG   1.76lbs
LAMPHOLDER	E27 x 1
MAX WATTAGE	40W x 1
VOLTAGE	220/240v
IP RATING	20
CLASS PROTECTION	I
SHADE	-
FLEX   BAR   CHAIN LENGT	100cm   40"
CABLE TYPE	MLCA028   2 Core Round   Black Braid   PVC

Fixing Bracket MLWB17

