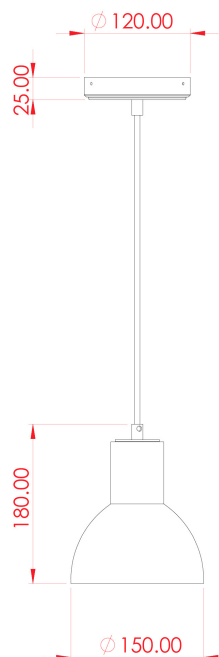


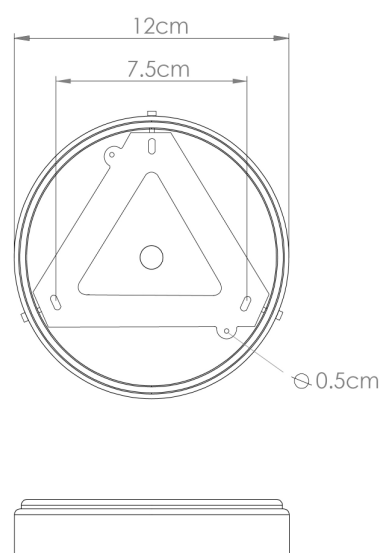
MALTA Pendant

MLP504ANTBRS Antique Brass



| | |
|--------------------------|--|
| MATERIAL | Brass Rattan |
| HEIGHT | 18cm 7.09" |
| WIDTH DIAMETER | 15cm 5.91" |
| LENGTH PROJECTION | n/a |
| WEIGHT | 0.5KG 1.1lbs |
| LAMPHOLDER | E27 x 1 |
| MAX WATTAGE | 40W x 1 |
| VOLTAGE | 220/240v |
| IP RATING | 20 |
| CLASS PROTECTION | I |
| SHADE | - |
| FLEX BAR CHAIN LENGT | 100cm 40" |
| CABLE TYPE | MLCA047 2 Core Round Brown Braid PVC |

Fixing Bracket MLWB17

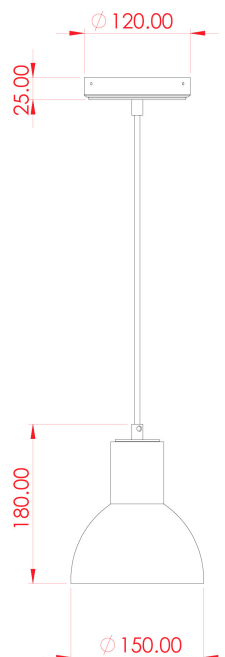


Product Notes:

- 1) Lamps not included with light fixture.
- 2) All products are individually hand crafted, therefore may differ slightly within manufacturing tolerances.
- 3) Please refer to: <http://www.mullanlighting.com/terms> for full list of Terms & Conditions.
- 4) Cable/Chain can be shortened during installation.
- 5) Longer Cable/Chain available on request.
- 6) Additional colour finishes available on request.
- 7.) Dimensions do not include lamps.
- 8.) Products wired to UL standards will operate at 110/120v with the appropriate lampholders.

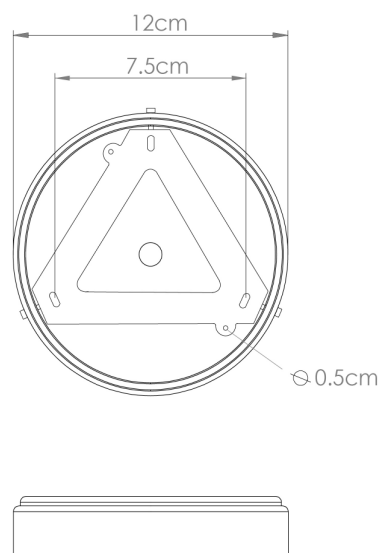
MALTA Pendant

MLP504ANTSLV Antique Silver



| | |
|--------------------------|--|
| MATERIAL | Brass Rattan |
| HEIGHT | 18cm 7.09" |
| WIDTH DIAMETER | 15cm 5.91" |
| LENGTH PROJECTION | n/a |
| WEIGHT | 0.5KG 1.1lbs |
| LAMPHOLDER | E27 x 1 |
| MAX WATTAGE | 40W x 1 |
| VOLTAGE | 220/240v |
| IP RATING | 20 |
| CLASS PROTECTION | I |
| SHADE | - |
| FLEX BAR CHAIN LENGT | 100cm 40" |
| CABLE TYPE | MLCA028 2 Core Round Black Braid PVC |

Fixing Bracket MLWB17



Product Notes:

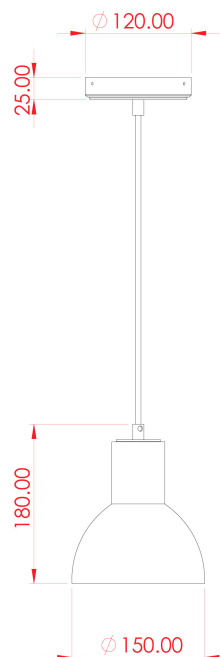
1) Lamps not included with light fixture. 2) All products are individually hand crafted, therefore may differ slightly within manufacturing tolerances. 3) Please refer to: <http://www.mullanlighting.com/terms> for full list of Terms & Conditions. 4) Cable/Chain can be shortened during installation. 5) Longer Cable/Chain available on request. 6) Additional colour finishes available on request. 7.) Dimensions do not include lamps. 8.) Products wired to UL standards will operate at 110/120v with the appropriate lampholders.

MALTA Pendant

MLP504PCMBK Matt Black

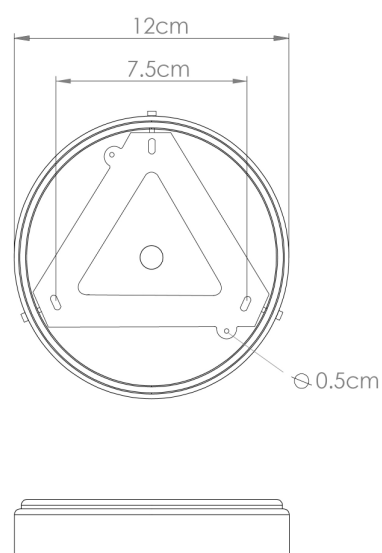


POWDER-COATED
MATTE BLACK



| | |
|--------------------------|--|
| MATERIAL | Brass Rattan |
| HEIGHT | 18cm 7.09" |
| WIDTH DIAMETER | 15cm 5.91" |
| LENGTH PROJECTION | n/a |
| WEIGHT | 0.5KG 1.1lbs |
| LAMPHOLDER | E27 x 1 |
| MAX WATTAGE | 40W x 1 |
| VOLTAGE | 220/240v |
| IP RATING | 20 |
| CLASS PROTECTION | I |
| SHADE | - |
| FLEX BAR CHAIN LENGT | 100cm 40" |
| CABLE TYPE | MLCA028 2 Core Round Black Braid PVC |

Fixing Bracket MLWB17

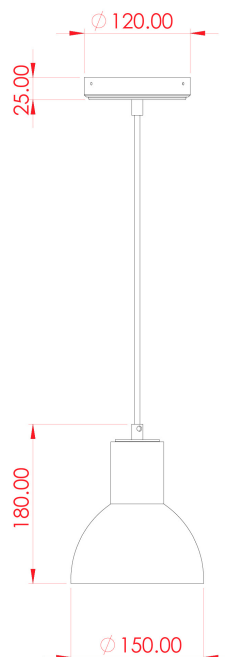


Product Notes:

- 1) Lamps not included with light fixture.
- 2) All products are individually hand crafted, therefore may differ slightly within manufacturing tolerances.
- 3) Please refer to: <http://www.mullanlighting.com/terms> for full list of Terms & Conditions.
- 4) Cable/Chain can be shortened during installation.
- 5) Longer Cable/Chain available on request.
- 6) Additional colour finishes available on request.
- 7.) Dimensions do not include lamps.
- 8.) Products wired to UL standards will operate at 110/120v with the appropriate lampholders.

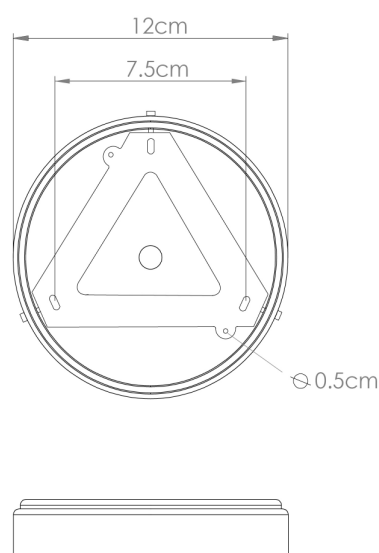
MALTA Pendant

MLP504POLBRS Polished Brass



| | |
|--------------------------|--|
| MATERIAL | Brass Rattan |
| HEIGHT | 18cm 7.09" |
| WIDTH DIAMETER | 15cm 5.91" |
| LENGTH PROJECTION | n/a |
| WEIGHT | 0.5KG 1.1lbs |
| LAMPHOLDER | E27 x 1 |
| MAX WATTAGE | 40W x 1 |
| VOLTAGE | 220/240v |
| IP RATING | 20 |
| CLASS PROTECTION | I |
| SHADE | - |
| FLEX BAR CHAIN LENGT | 100cm 40" |
| CABLE TYPE | MLCA028 2 Core Round Black Braid PVC |

Fixing Bracket MLWB17

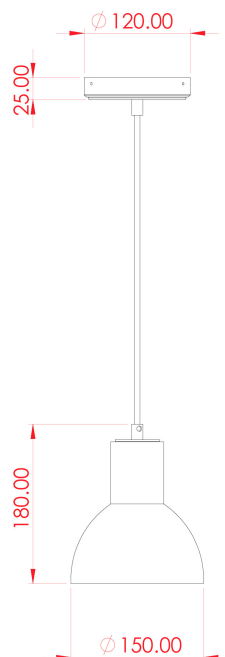


Product Notes:

- 1) Lamps not included with light fixture.
- 2) All products are individually hand crafted, therefore may differ slightly within manufacturing tolerances.
- 3) Please refer to: <http://www.mullanlighting.com/terms> for full list of Terms & Conditions.
- 4) Cable/Chain can be shortened during installation.
- 5) Longer Cable/Chain available on request.
- 6) Additional colour finishes available on request.
- 7.) Dimensions do not include lamps.
- 8.) Products wired to UL standards will operate at 110/120v with the appropriate lampholders.

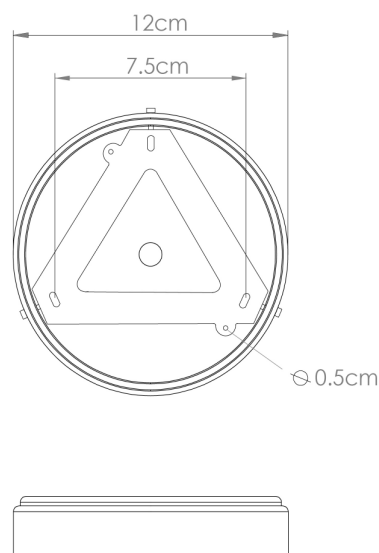
MALTA Pendant

MLP504SATBRS Satin Brass



| | |
|--------------------------|--|
| MATERIAL | Brass Rattan |
| HEIGHT | 18cm 7.09" |
| WIDTH DIAMETER | 15cm 5.91" |
| LENGTH PROJECTION | n/a |
| WEIGHT | 0.5KG 1.1lbs |
| LAMPHOLDER | E27 x 1 |
| MAX WATTAGE | 40W x 1 |
| VOLTAGE | 220/240v |
| IP RATING | 20 |
| CLASS PROTECTION | I |
| SHADE | - |
| FLEX BAR CHAIN LENGT | 100cm 40" |
| CABLE TYPE | MLCA028 2 Core Round Black Braid PVC |

Fixing Bracket MLWB17



www.mullanlighting.com

Product Notes:

- 1) Lamps not included with light fixture.
- 2) All products are individually hand crafted, therefore may differ slightly within manufacturing tolerances.
- 3) Please refer to: <http://www.mullanlighting.com/terms> for full list of Terms & Conditions.
- 4) Cable/Chain can be shortened during installation.
- 5) Longer Cable/Chain available on request.
- 6) Additional colour finishes available on request.
- 7.) Dimensions do not include lamps.
- 8.) Products wired to UL standards will operate at 110/120v with the appropriate lampholders.

