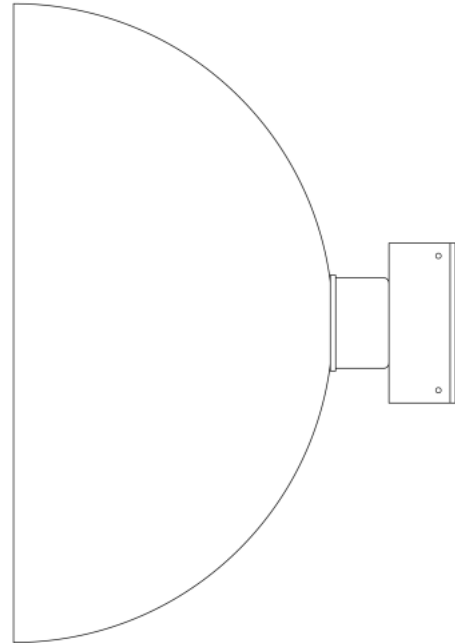


# MAUA 30CM Wall Light

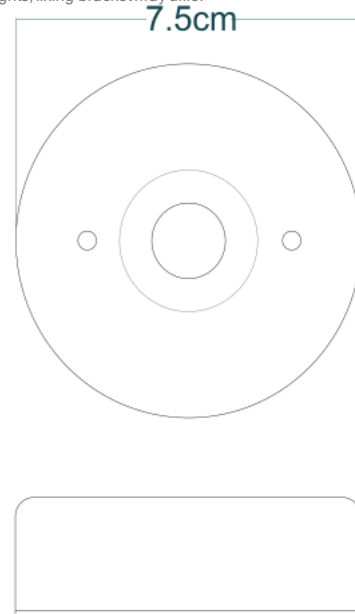
MLWL396ANTBRS    Antique Brass



MATERIAL	Brass
HEIGHT	30cm   11.81"
WIDTH   DIAMETER	30cm   11.81"
LENGTH   PROJECTION	10.5cm   4.13"
WEIGHT	1.57KG   3.46lbs
LAMPHOLDER	E27 or E26
MAX WATTAGE	40W x 1
VOLTAGE	220/240v or 110/120v
IP RATING	20
CLASS PROTECTION	I
SHADE	-
FLEX   BAR   CHAIN LENGT	n/a
CABLE TYPE	-

**Fixing Bracket MLWB13 | Antique Brass**

\*For UL wired lights, fixing bracket may differ

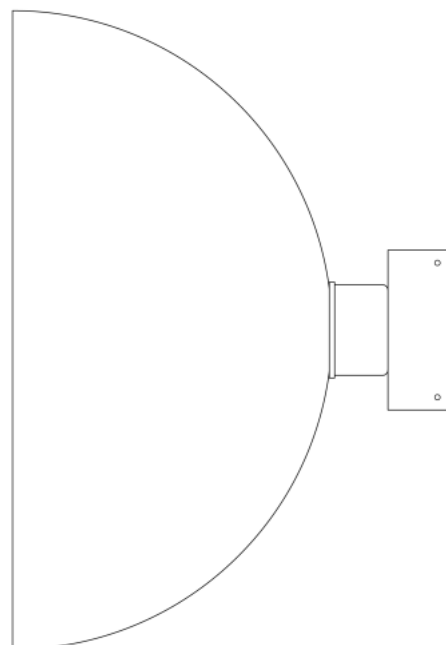


**Product Notes:**

1) Lamps not included with light fixture. 2) All products are individually hand crafted, therefore may differ slightly within manufacturing tolerances. 3) Please refer to: <http://www.mullanlighting.com/terms> for full list of Terms & Conditions. 4) Cable/Chain can be shortened during installation. 5) Longer Cable/Chain available on request. 6) Additional colour finishes available on request. 7) Dimensions do not include lamps. 8) Products wired to UL standards will operate at 110/120v with the appropriate lampholders.

# MAUA 30CM Wall Light

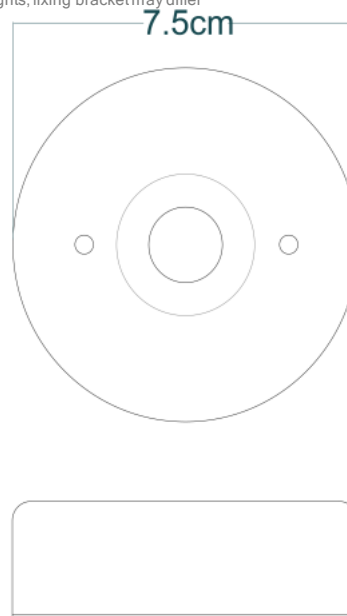
MLWL396ANTSLV Antique Silver



MATERIAL	Brass
HEIGHT	30cm   11.81"
WIDTH   DIAMETER	30cm   11.81"
LENGTH   PROJECTION	10.5cm   4.13"
WEIGHT	1.57KG   3.46lbs
LAMPHOLDER	E27 or E26
MAX WATTAGE	40W x 1
VOLTAGE	220/240v or 110/120v
IP RATING	20
CLASS PROTECTION	I
SHADE	-
FLEX   BAR   CHAIN LENGT	n/a
CABLE TYPE	-

Fixing Bracket MLWB13 | Antique Silver

\*For UL wired lights, fixing bracket may differ

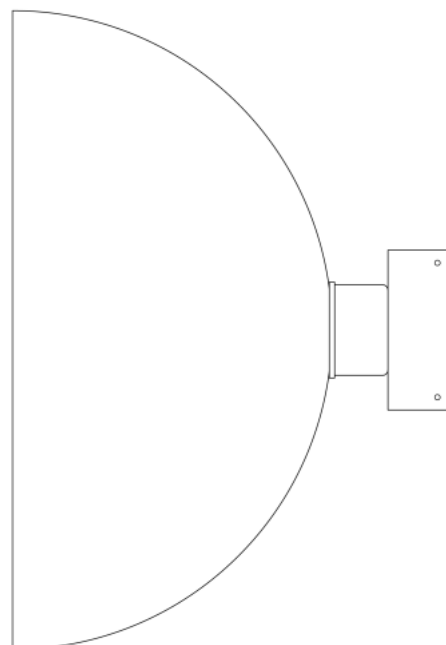


Product Notes:

1) Lamps not included with light fixture. 2) All products are individually hand crafted, therefore may differ slightly within manufacturing tolerances. 3) Please refer to: <http://www.mullanlighting.com/terms> for full list of Terms & Conditions. 4) Cable/Chain can be shortened during installation. 5) Longer Cable/Chain available on request. 6) Additional colour finishes available on request. 7) Dimensions do not include lamps. 8.) Products wired to UL standards will operate at 110/120v with the appropriate lampholders.

# MAUA 30CM Wall Light

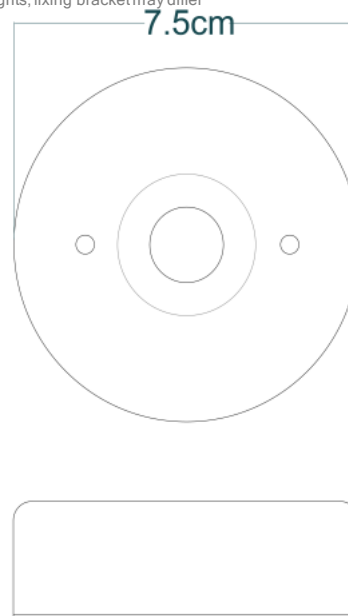
MLWL396POLBRS Polished Brass



MATERIAL	Brass
HEIGHT	30cm   11.81"
WIDTH   DIAMETER	30cm   11.81"
LENGTH   PROJECTION	10.5cm   4.13"
WEIGHT	1.57KG   3.46lbs
LAMPHOLDER	E27 or E26
MAX WATTAGE	40W x 1
VOLTAGE	220/240v or 110/120v
IP RATING	20
CLASS PROTECTION	I
SHADE	-
FLEX   BAR   CHAIN LENGT	n/a
CABLE TYPE	-

### Fixing Bracket MLWB13 | Polished Brass

\*For UL wired lights, fixing bracket may differ

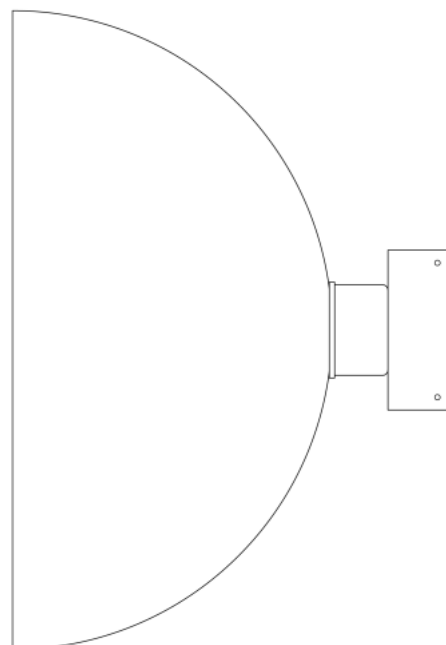


#### Product Notes:

1) Lamps not included with light fixture. 2) All products are individually hand crafted, therefore may differ slightly within manufacturing tolerances. 3) Please refer to: <http://www.mullanlighting.com/terms> for full list of Terms & Conditions. 4) Cable/Chain can be shortened during installation. 5) Longer Cable/Chain available on request. 6) Additional colour finishes available on request. 7.) Dimensions do not include lamps. 8.) Products wired to UL standards will operate at 110/120v with the appropriate lampholders.

# MAUA 30CM Wall Light

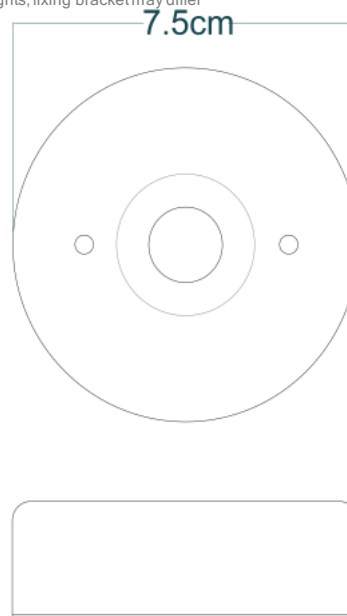
MLWL396SATBRS Satin Brass



MATERIAL	Brass
HEIGHT	30cm   11.81"
WIDTH   DIAMETER	30cm   11.81"
LENGTH   PROJECTION	10.5cm   4.13"
WEIGHT	1.57KG   3.46lbs
LAMPHOLDER	E27 or E26
MAX WATTAGE	40W x 1
VOLTAGE	220/240v or 110/120v
IP RATING	20
CLASS PROTECTION	I
SHADE	-
FLEX   BAR   CHAIN LENGT	n/a
CABLE TYPE	-

**Fixing Bracket MLWB13 | Satin Brass**

\*For UL wired lights, fixing bracket may differ



**Product Notes:**

1) Lamps not included with light fixture. 2) All products are individually hand crafted, therefore may differ slightly within manufacturing tolerances. 3) Please refer to: <http://www.mullanlighting.com/terms> for full list of Terms & Conditions. 4) Cable/Chain can be shortened during installation. 5) Longer Cable/Chain available on request. 6) Additional colour finishes available on request. 7.) Dimensions do not include lamps. 8.) Products wired to UL standards will operate at 110/120v with the appropriate lampholders.