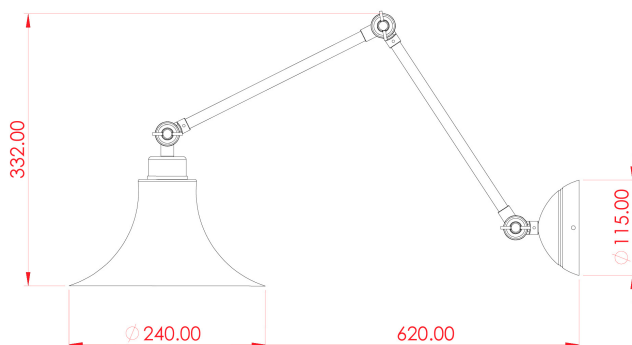


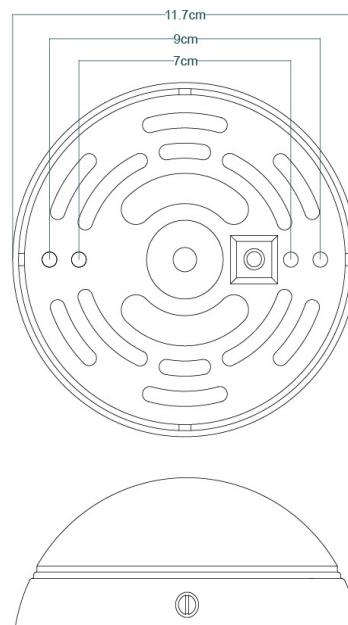
SAVANNAH Wall Light

MLWL455ANTBRS Antique Brass



MATERIAL	Brass Rattan
HEIGHT	45-65cm 17.72-25.59"
WIDTH DIAMETER	24cm 9.45"
LENGTH PROJECTION	60-80cm 23.62-31.5"
WEIGHT	1.5KG 3.31lbs
LAMPHOLDER	E27 x 1
MAX WATTAGE	40W x 1
VOLTAGE	220/240v
IP RATING	20
CLASS PROTECTION	I
SHADE	MLSH052
FLEX BAR CHAIN LENGT	n/a
CABLE TYPE	-

Fixing Bracket MLWB11



www.mullanlighting.com

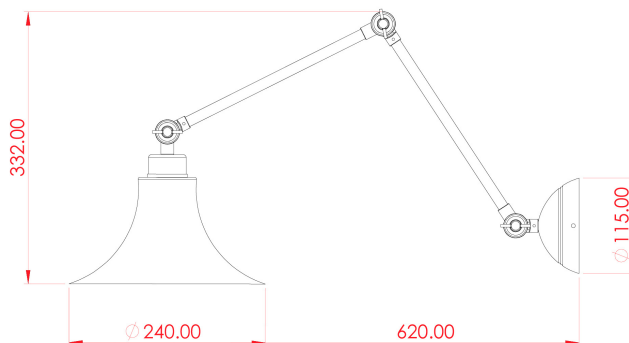
Product Notes:

- 1) Lamps not included with light fixture.
- 2) All products are individually hand crafted, therefore may differ slightly within manufacturing tolerances.
- 3) Please refer to: <http://www.mullanlighting.com/terms> for full list of Terms & Conditions.
- 4) Cable/Chain can be shortened during installation.
- 5) Longer Cable/Chain available on request.
- 6) Additional colour finishes available on request.
- 7.) Dimensions do not include lamps.
- 8.) Products wired to UL standards will operate at 110/120v with the appropriate lampholders.



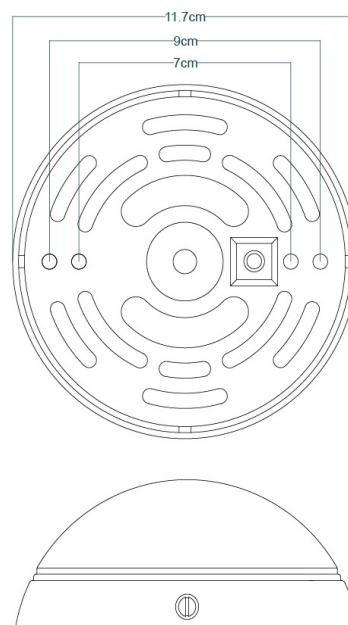
SAVANNAH Wall Light

MLWL455ANTSLV Antique Silver



MATERIAL	Brass Rattan
HEIGHT	45-65cm 17.72-25.59"
WIDTH DIAMETER	24cm 9.45"
LENGTH PROJECTION	60-80cm 23.62-31.5"
WEIGHT	1.5KG 3.31lbs
LAMPHOLDER	E27 x 1
MAX WATTAGE	40W x 1
VOLTAGE	220/240v
IP RATING	20
CLASS PROTECTION	I
SHADE	MLSH052
FLEX BAR CHAIN LENGT	n/a
CABLE TYPE	-

Fixing Bracket MLWB11

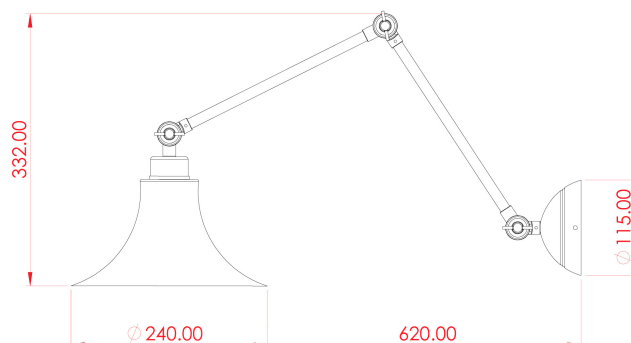


Product Notes:

- 1) Lamps not included with light fixture.
- 2) All products are individually hand crafted, therefore may differ slightly within manufacturing tolerances.
- 3) Please refer to: <http://www.mullanlighting.com/terms> for full list of Terms & Conditions.
- 4) Cable/Chain can be shortened during installation.
- 5) Longer Cable/Chain available on request.
- 6) Additional colour finishes available on request.
- 7.) Dimensions do not include lamps.
- 8.) Products wired to UL standards will operate at 110/120v with the appropriate lampholders.

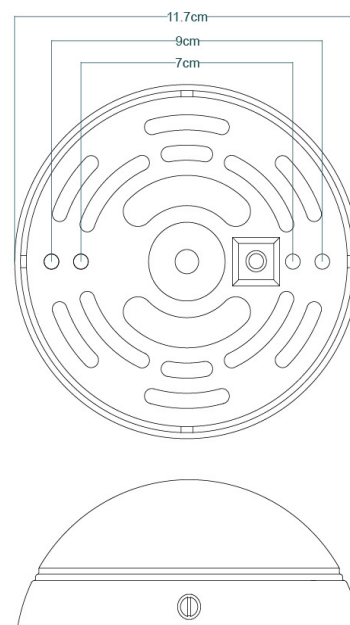
SAVANNAH Wall Light

MLWL455PCMBK Matt Black



MATERIAL	Brass Rattan
HEIGHT	45-65cm 17.72-25.59"
WIDTH DIAMETER	24cm 9.45"
LENGTH PROJECTION	60-80cm 23.62-31.5"
WEIGHT	1.5KG 3.31lbs
LAMPHOLDER	E27 x 1
MAX WATTAGE	40W x 1
VOLTAGE	220/240v
IP RATING	20
CLASS PROTECTION	I
SHADE	MLSH052
FLEX BAR CHAIN LENGT	n/a
CABLE TYPE	-

Fixing Bracket MLWB11

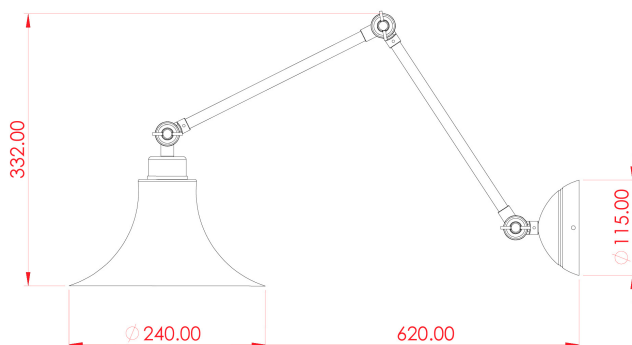


Product Notes:

- 1) Lamps not included with light fixture.
- 2) All products are individually hand crafted, therefore may differ slightly within manufacturing tolerances.
- 3) Please refer to: <http://www.mullanlighting.com/terms> for full list of Terms & Conditions.
- 4) Cable/Chain can be shortened during installation.
- 5) Longer Cable/Chain available on request.
- 6) Additional colour finishes available on request.
- 7.) Dimensions do not include lamps.
- 8.) Products wired to UL standards will operate at 110/120v with the appropriate lampholders.

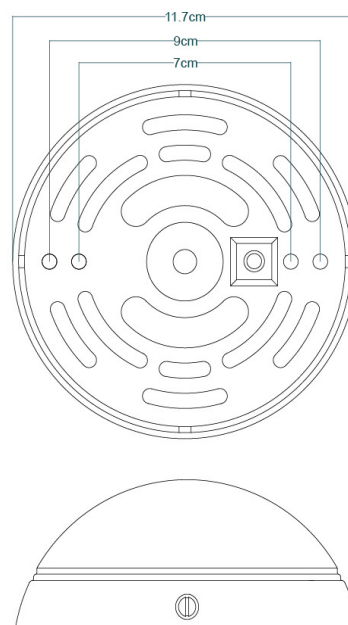
SAVANNAH Wall Light

MLWL455POLBRS Polished Brass



MATERIAL	Brass Rattan
HEIGHT	45-65cm 17.72-25.59"
WIDTH DIAMETER	24cm 9.45"
LENGTH PROJECTION	60-80cm 23.62-31.5"
WEIGHT	1.5KG 3.31lbs
LAMPHOLDER	E27 x 1
MAX WATTAGE	40W x 1
VOLTAGE	220/240v
IP RATING	20
CLASS PROTECTION	I
SHADE	MLSH052
FLEX BAR CHAIN LENGT	n/a
CABLE TYPE	-

Fixing Bracket MLWB11



www.mullanlighting.com

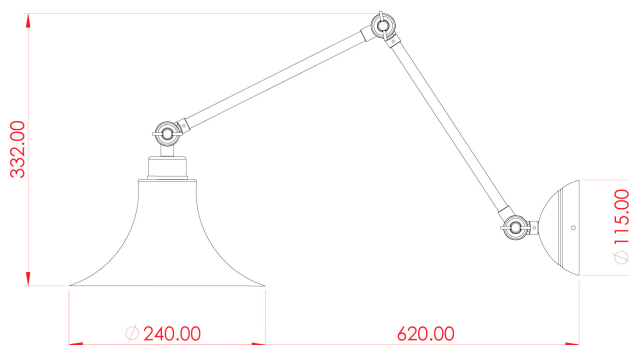
Product Notes:

1) Lamps not included with light fixture. 2) All products are individually hand crafted, therefore may differ slightly within manufacturing tolerances. 3) Please refer to: <http://www.mullanlighting.com/terms> for full list of Terms & Conditions. 4) Cable/Chain can be shortened during installation. 5) Longer Cable/Chain available on request. 6) Additional colour finishes available on request. 7.) Dimensions do not include lamps. 8.) Products wired to UL standards will operate at 110/120v with the appropriate lampholders.



SAVANNAH Wall Light

MLWL455SATBRS Satin Brass



MATERIAL	Brass Rattan
HEIGHT	45-65cm 17.72-25.59"
WIDTH DIAMETER	24cm 9.45"
LENGTH PROJECTION	60-80cm 23.62-31.5"
WEIGHT	1.5KG 3.31lbs
LAMPHOLDER	E27 x 1
MAX WATTAGE	40W x 1
VOLTAGE	220/240v
IP RATING	20
CLASS PROTECTION	I
SHADE	MLSH052
FLEX BAR CHAIN LENGT	n/a
CABLE TYPE	-

Fixing Bracket MLWB11

