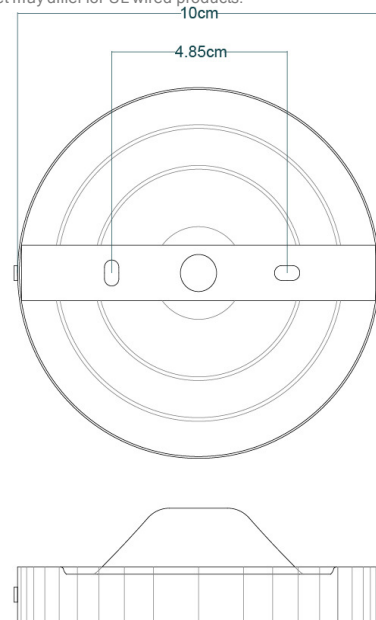


MATERIAL	Brass
HEIGHT	14cm 5.51"
WIDTH DIAMETER	35.5cm 13.98"
LENGTH PROJECTION	26cm 10.24"
WEIGHT	0KG 0lbs
LAMP HOLDER	G9
MAX WATTAGE	6.5W x 2
VOLTAGE	220/240v or 110/120v*
IP RATING	20
CLASS PROTECTION	I
SHADE CODE	-
CABLE CHAIN BAR LENGT	n/a
CABLE TYPE	-

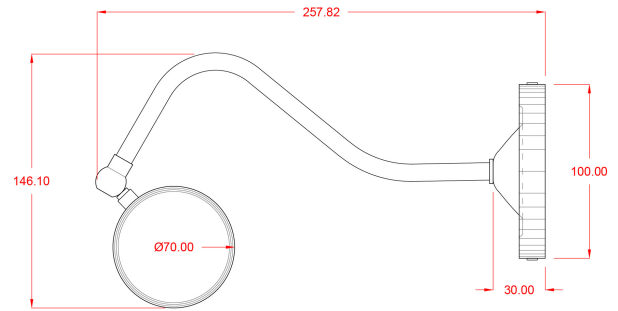
Fixing Bracket MLWB02

* Fixing bracket may differ for UL wired products.



Product Notes:

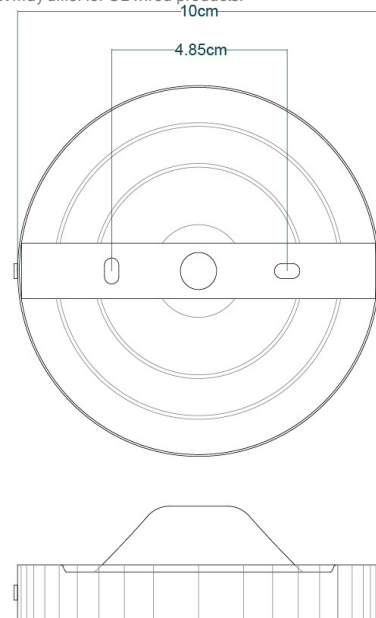
1) Bulbs not included. 2) Dimensions do not include bulbs. 3) All products are individually made-to-order and therefore may differ slightly within manufacturing tolerances. 4) Cable / chain can be shortened during installation. Longer cable / chain lengths available on request. 5) Additional colour finishes may be available on request. 6) UL wired products operate at 110/120v with the appropriate lamp holder. 7) Twisted cable is not available for UL wired products. Round cable in black or brown only is supplied instead. 8) Refer to our website for a full list of terms and conditions.



MATERIAL	Brass
HEIGHT	14cm 5.51"
WIDTH DIAMETER	35.5cm 13.98"
LENGTH PROJECTION	26cm 10.24"
WEIGHT	0KG 0lbs
LAMP HOLDER	G9
MAX WATTAGE	6.5W x 2
VOLTAGE	220/240v or 110/120v*
IP RATING	20
CLASS PROTECTION	I
SHADE CODE	-
CABLE CHAIN BAR LENGT	n/a
CABLE TYPE	-

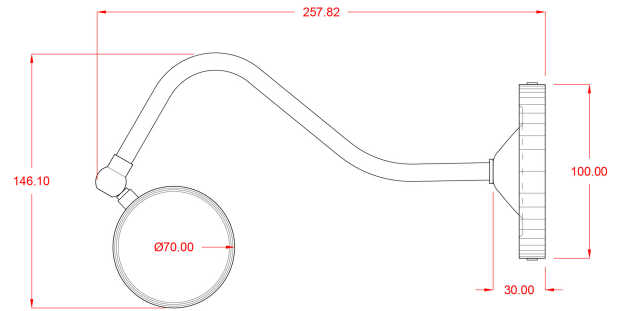
Fixing Bracket MLWB02

* Fixing bracket may differ for UL wired products.



Product Notes:

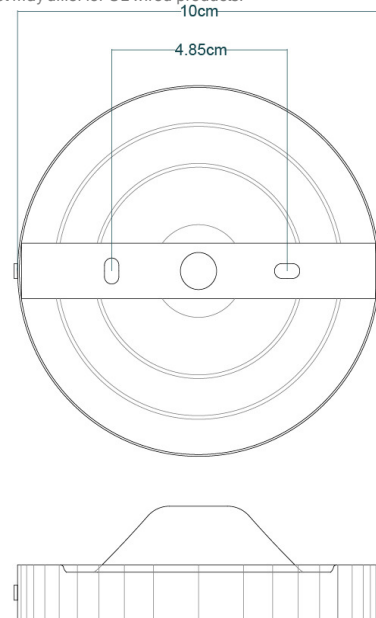
1) Bulbs not included. 2) Dimensions do not include bulbs. 3) All products are individually made-to-order and therefore may differ slightly within manufacturing tolerances. 4) Cable / chain can be shortened during installation. Longer cable / chain lengths available on request. 5) Additional colour finishes may be available on request. 6) UL wired products operate at 110/120v with the appropriate lamp holder. 7) Twisted cable is not available for UL wired products. Round cable in black or brown only is supplied instead. 8) Refer to our website for a full list of terms and conditions.



MATERIAL	Brass
HEIGHT	14cm 5.51"
WIDTH DIAMETER	35.5cm 13.98"
LENGTH PROJECTION	26cm 10.24"
WEIGHT	0KG 0lbs
LAMP HOLDER	G9
MAX WATTAGE	6.5W x 2
VOLTAGE	220/240v or 110/120v*
IP RATING	20
CLASS PROTECTION	I
SHADE CODE	-
CABLE CHAIN BAR LENGT	n/a
CABLE TYPE	-

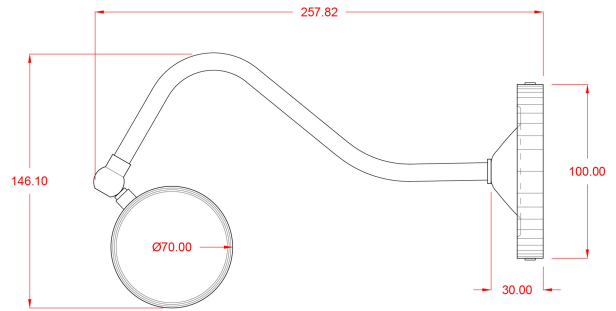
Fixing Bracket MLWB02

* Fixing bracket may differ for UL wired products.



Product Notes:

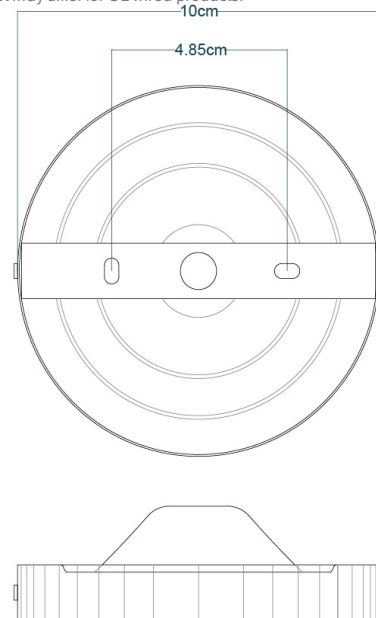
1) Bulbs not included. 2) Dimensions do not include bulbs. 3) All products are individually made-to-order and therefore may differ slightly within manufacturing tolerances. 4) Cable / chain can be shortened during installation. Longer cable / chain lengths available on request. 5) Additional colour finishes may be available on request. 6) UL wired products operate at 110/120v with the appropriate lamp holder. 7) Twisted cable is not available for UL wired products. Round cable in black or brown only is supplied instead. 8) Refer to our website for a full list of terms and conditions.



MATERIAL	Brass
HEIGHT	14cm 5.51"
WIDTH DIAMETER	35.5cm 13.98"
LENGTH PROJECTION	26cm 10.24"
WEIGHT	0KG 0lbs
LAMP HOLDER	G9
MAX WATTAGE	6.5W x 2
VOLTAGE	220/240v or 110/120v*
IP RATING	20
CLASS PROTECTION	I
SHADE CODE	-
CABLE CHAIN BAR LENGT	n/a
CABLE TYPE	-

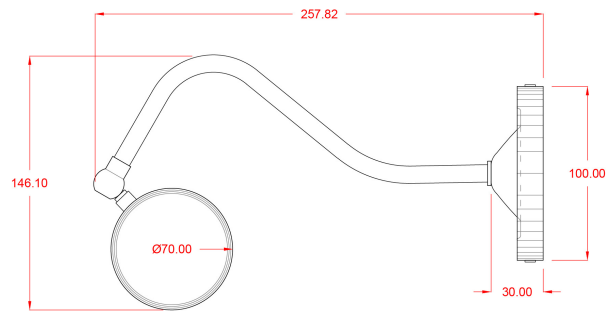
Fixing Bracket MLWB02

* Fixing bracket may differ for UL wired products.



Product Notes:

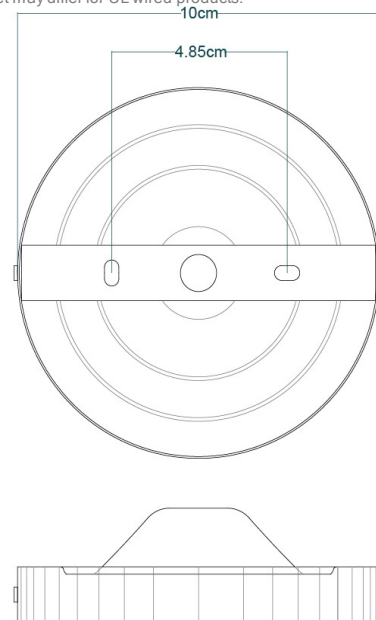
1) Bulbs not included. 2) Dimensions do not include bulbs. 3) All products are individually made-to-order and therefore may differ slightly within manufacturing tolerances. 4) Cable / chain can be shortened during installation. Longer cable / chain lengths available on request. 5) Additional colour finishes may be available on request. 6) UL wired products operate at 110/120v with the appropriate lamp holder. 7) Twisted cable is not available for UL wired products. Round cable in black or brown only is supplied instead. 8) Refer to our website for a full list of terms and conditions.



MATERIAL	Brass
HEIGHT	14cm 5.51"
WIDTH DIAMETER	35.5cm 13.98"
LENGTH PROJECTION	26cm 10.24"
WEIGHT	0KG 0lbs
LAMP HOLDER	G9
MAX WATTAGE	6.5W x 2
VOLTAGE	220/240v or 110/120v*
IP RATING	20
CLASS PROTECTION	I
SHADE CODE	-
CABLE CHAIN BAR LENGT	n/a
CABLE TYPE	-

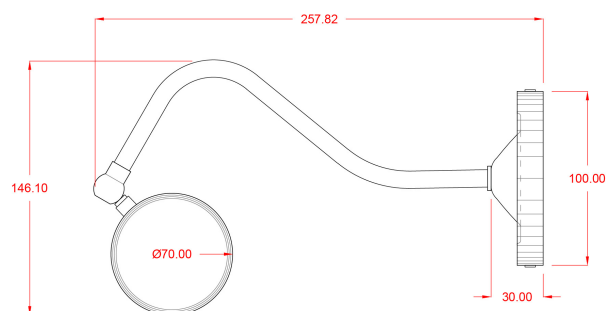
Fixing Bracket MLWB02

* Fixing bracket may differ for UL wired products.



Product Notes:

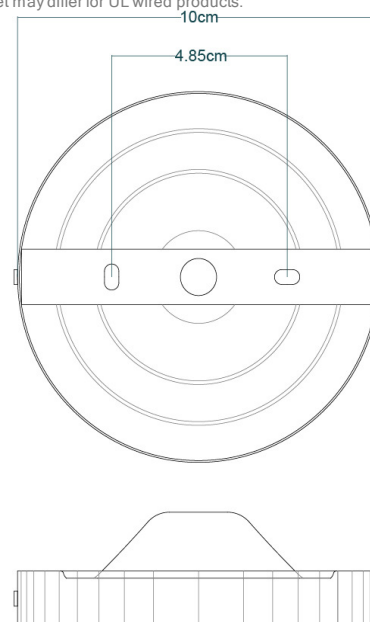
1) Bulbs not included. 2) Dimensions do not include bulbs. 3) All products are individually made-to-order and therefore may differ slightly within manufacturing tolerances. 4) Cable / chain can be shortened during installation. Longer cable / chain lengths available on request. 5) Additional colour finishes may be available on request. 6) UL wired products operate at 110/120v with the appropriate lamp holder. 7) Twisted cable is not available for UL wired products. Round cable in black or brown only is supplied instead. 8) Refer to our website for a full list of terms and conditions.



MATERIAL	Brass
HEIGHT	14cm 5.51"
WIDTH DIAMETER	35.5cm 13.98"
LENGTH PROJECTION	26cm 10.24"
WEIGHT	0KG 0lbs
LAMP HOLDER	G9
MAX WATTAGE	6.5W x 2
VOLTAGE	220/240v or 110/120v*
IP RATING	20
CLASS PROTECTION	I
SHADE CODE	-
CABLE CHAIN BAR LENGT	n/a
CABLE TYPE	-

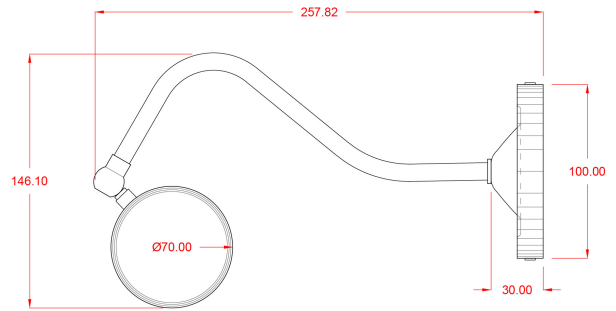
Fixing Bracket MLWB02

* Fixing bracket may differ for UL wired products.



Product Notes:

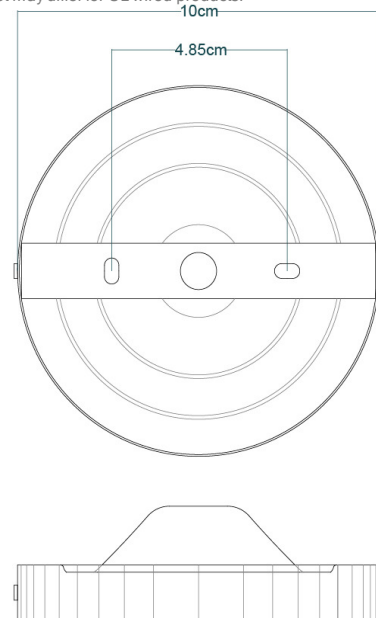
1) Bulbs not included. 2) Dimensions do not include bulbs. 3) All products are individually made-to-order and therefore may differ slightly within manufacturing tolerances. 4) Cable / chain can be shortened during installation. Longer cable / chain lengths available on request. 5) Additional colour finishes may be available on request. 6) UL wired products operate at 110/120v with the appropriate lamp holder. 7) Twisted cable is not available for UL wired products. Round cable in black or brown only is supplied instead. 8) Refer to our website for a full list of terms and conditions.



MATERIAL	Brass
HEIGHT	14cm 5.51"
WIDTH DIAMETER	35.5cm 13.98"
LENGTH PROJECTION	26cm 10.24"
WEIGHT	0KG 0lbs
LAMP HOLDER	G9
MAX WATTAGE	6.5W x 2
VOLTAGE	220/240v or 110/120v*
IP RATING	20
CLASS PROTECTION	I
SHADE CODE	-
CABLE CHAIN BAR LENGT	n/a
CABLE TYPE	-

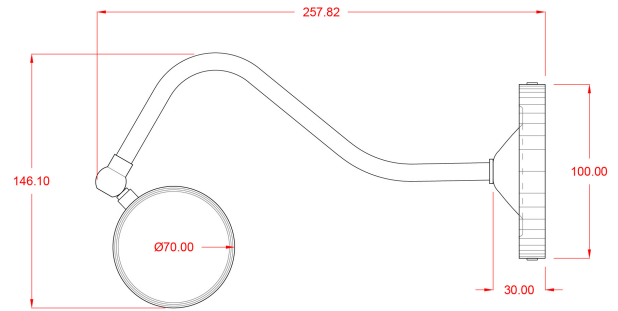
Fixing Bracket MLWB02

* Fixing bracket may differ for UL wired products.



Product Notes:

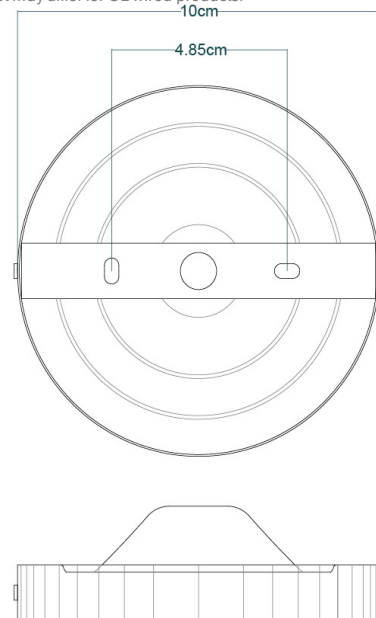
1) Bulbs not included. 2) Dimensions do not include bulbs. 3) All products are individually made-to-order and therefore may differ slightly within manufacturing tolerances. 4) Cable / chain can be shortened during installation. Longer cable / chain lengths available on request. 5) Additional colour finishes may be available on request. 6) UL wired products operate at 110/120v with the appropriate lamp holder. 7) Twisted cable is not available for UL wired products. Round cable in black or brown only is supplied instead. 8) Refer to our website for a full list of terms and conditions.



MATERIAL	Brass
HEIGHT	14cm 5.51"
WIDTH DIAMETER	35.5cm 13.98"
LENGTH PROJECTION	26cm 10.24"
WEIGHT	0KG 0lbs
LAMP HOLDER	G9
MAX WATTAGE	6.5W x 2
VOLTAGE	220/240v or 110/120v*
IP RATING	20
CLASS PROTECTION	I
SHADE CODE	-
CABLE CHAIN BAR LENGT	n/a
CABLE TYPE	-

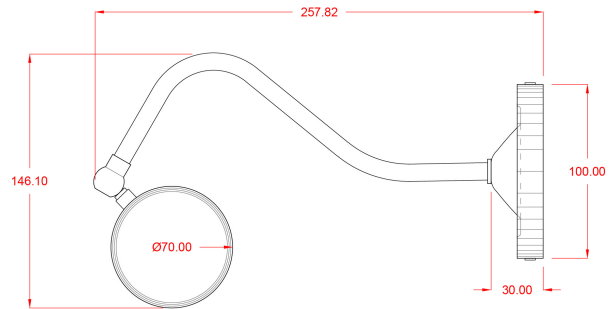
Fixing Bracket MLWB02

* Fixing bracket may differ for UL wired products.



Product Notes:

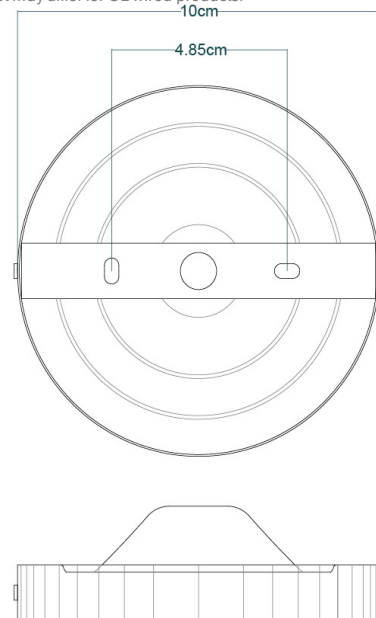
1) Bulbs not included. 2) Dimensions do not include bulbs. 3) All products are individually made-to-order and therefore may differ slightly within manufacturing tolerances. 4) Cable / chain can be shortened during installation. Longer cable / chain lengths available on request. 5) Additional colour finishes may be available on request. 6) UL wired products operate at 110/120v with the appropriate lamp holder. 7) Twisted cable is not available for UL wired products. Round cable in black or brown only is supplied instead. 8) Refer to our website for a full list of terms and conditions.



MATERIAL	Brass
HEIGHT	14cm 5.51"
WIDTH DIAMETER	35.5cm 13.98"
LENGTH PROJECTION	26cm 10.24"
WEIGHT	0KG 0lbs
LAMP HOLDER	G9
MAX WATTAGE	6.5W x 2
VOLTAGE	220/240v or 110/120v*
IP RATING	20
CLASS PROTECTION	I
SHADE CODE	-
CABLE CHAIN BAR LENGT	n/a
CABLE TYPE	-

Fixing Bracket MLWB02

* Fixing bracket may differ for UL wired products.



Product Notes:

1) Bulbs not included. 2) Dimensions do not include bulbs. 3) All products are individually made-to-order and therefore may differ slightly within manufacturing tolerances. 4) Cable / chain can be shortened during installation. Longer cable / chain lengths available on request. 5) Additional colour finishes may be available on request. 6) UL wired products operate at 110/120v with the appropriate lamp holder. 7) Twisted cable is not available for UL wired products. Round cable in black or brown only is supplied instead. 8) Refer to our website for a full list of terms and conditions.