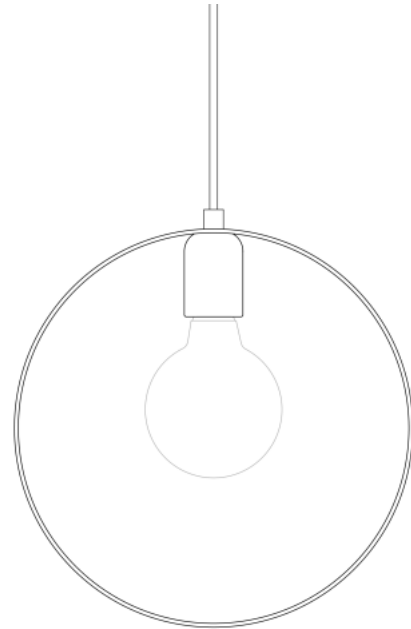


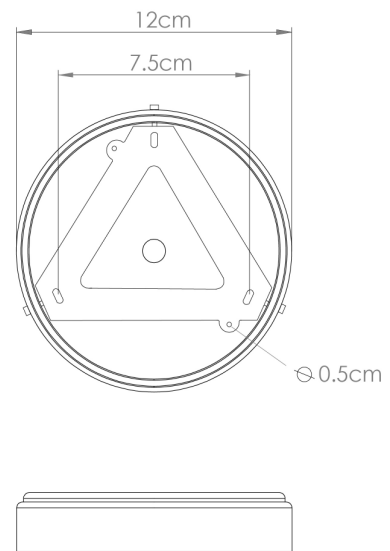
# FOSSA Pendant

MLP451ANTBRS Antiqu Brass



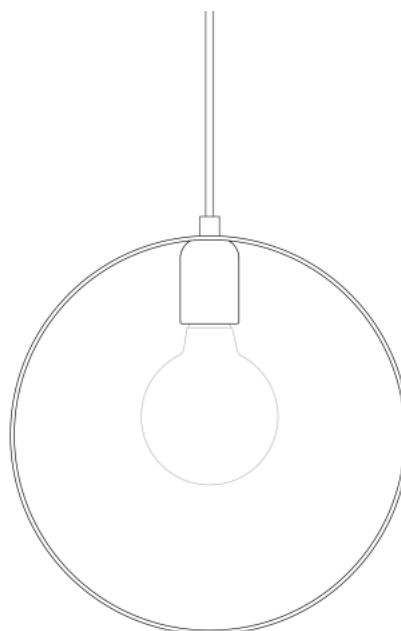
MATERIAL	Brass
HEIGHT	25cm   9.84"
WIDTH   DIAMETER	24cm   9.45"
LENGTH   PROJECTION	n/a
WEIGHT	0.73KG   1.61lbs
LAMPHOLDER	E27 x 1
MAX WATTAGE	60W x 1
VOLTAGE	220/240v
IP RATING	20
CLASS PROTECTION	I
SHADE	-
FLEX   BAR   CHAIN LENGT	100cm   40"
CABLE TYPE	MLCA047   2 Core Round   Brown Braid   PVC

Fixing Bracket MLWB17 | Antiqu Brass

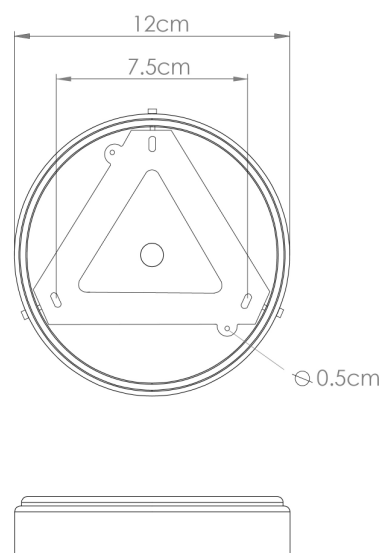


**Product Notes:**

1) Lamps not included with light fixture. 2) All products are individually hand crafted, therefore may differ slightly within manufacturing tolerances. 3) Please refer to: <http://www.mullanlighting.com/terms> for full list of Terms & Conditions. 4) Cable/Chain can be shortened during installation. 5) Longer Cable/Chain available on request. 6) Additional colour finishes available on request. 7.) Dimensions do not include lamps. 8.) Products wired to UL standards will operate at 110/120v with the appropriate lampholders.



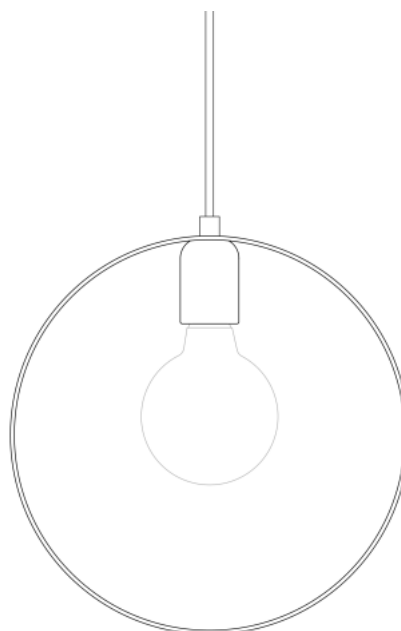
MATERIAL	Brass
HEIGHT	25cm   9.84"
WIDTH   DIAMETER	24cm   9.45"
LENGTH   PROJECTION	n/a
WEIGHT	0.73KG   1.61lbs
LAMPHOLDER	E27 x 1
MAX WATTAGE	60W x 1
VOLTAGE	220/240v
IP RATING	20
CLASS PROTECTION	I
SHADE	-
FLEX   BAR   CHAIN LENGT	100cm   40"
CABLE TYPE	MLCA028   2 Core Round   Black Braid   PVC

**Fixing Bracket MLWB17 | Antique Silver**

**Product Notes:**

1) Lamps not included with light fixture. 2) All products are individually hand crafted, therefore may differ slightly within manufacturing tolerances. 3) Please refer to: <http://www.mullanlighting.com/terms> for full list of Terms & Conditions. 4) Cable/Chain can be shortened during installation. 5) Longer Cable/Chain available on request. 6) Additional colour finishes available on request. 7.) Dimensions do not include lamps. 8.) Products wired to UL standards will operate at 110/120v with the appropriate lampholders.

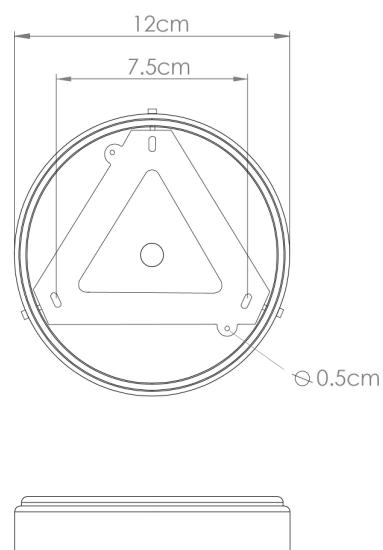
# FOSSA Pendant

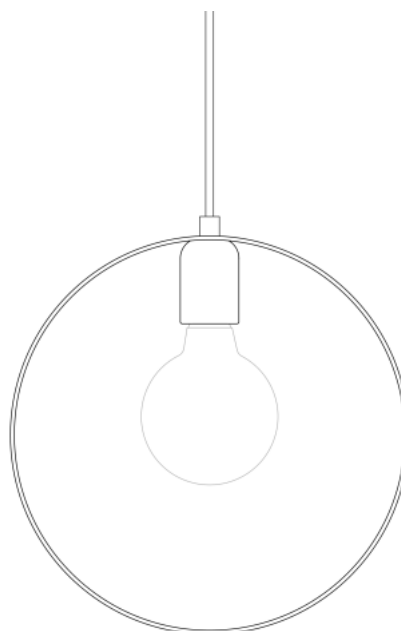
MLP451POLBRS Polished Brass



MATERIAL	Brass
HEIGHT	25cm   9.84"
WIDTH   DIAMETER	24cm   9.45"
LENGTH   PROJECTION	n/a
WEIGHT	0.73KG   1.61lbs
LAMPHOLDER	E27 x 1
MAX WATTAGE	60W x 1
VOLTAGE	220/240v
IP RATING	20
CLASS PROTECTION	I
SHADE	-
FLEX   BAR   CHAIN LENGT	100cm   40"
CABLE TYPE	MLCA028   2 Core Round   Black Braid   PVC

Fixing Bracket MLWB17 | Polished Brass





MATERIAL	Brass
HEIGHT	25cm   9.84"
WIDTH   DIAMETER	24cm   9.45"
LENGTH   PROJECTION	n/a
WEIGHT	0.73KG   1.61lbs
LAMPHOLDER	E27 x 1
MAX WATTAGE	60W x 1
VOLTAGE	220/240v
IP RATING	20
CLASS PROTECTION	I
SHADE	-
FLEX   BAR   CHAIN LENGT	100cm   40"
CABLE TYPE	MLCA028   2 Core Round   Black Braid   PVC

Fixing Bracket MLWB17 | Satin Brass

