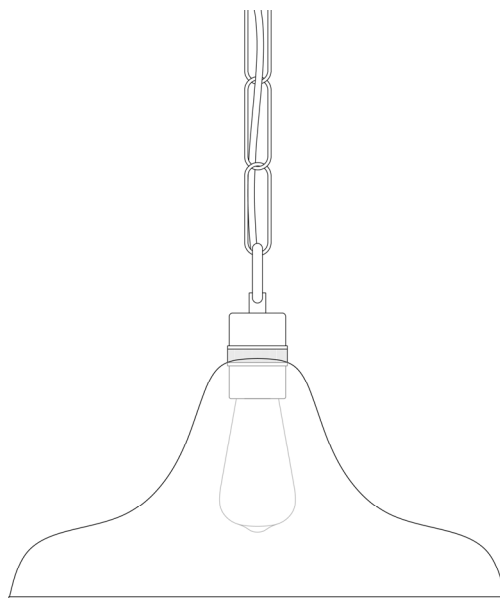


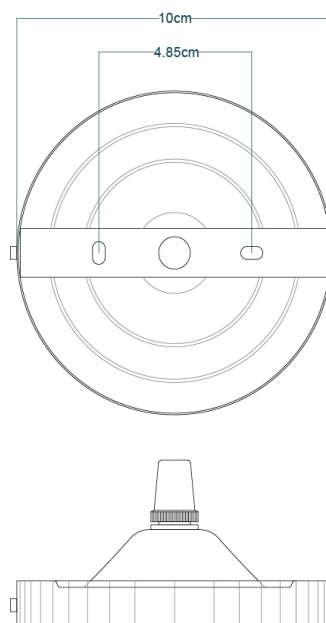
# CLIFTON Pendant

MLP454ANTBRS    Antique Brass



MATERIAL	Brass   Glass
HEIGHT	21cm   8.27"
WIDTH   DIAMETER	37cm   14.57"
LENGTH   PROJECTION	n/a
WEIGHT	2.1KG   4.63lbs
LAMPHOLDER	E27 x 1
MAX WATTAGE	40W x 1
VOLTAGE	220/240v
IP RATING	20
CLASS PROTECTION	I
SHADE	GL177
FLEX   BAR   CHAIN LENGT	100cm   40"
CABLE TYPE	MLCA010   2 Core Flat   Brown   PVC

Fixing Bracket MLROSE05GRIP | Antique Brass

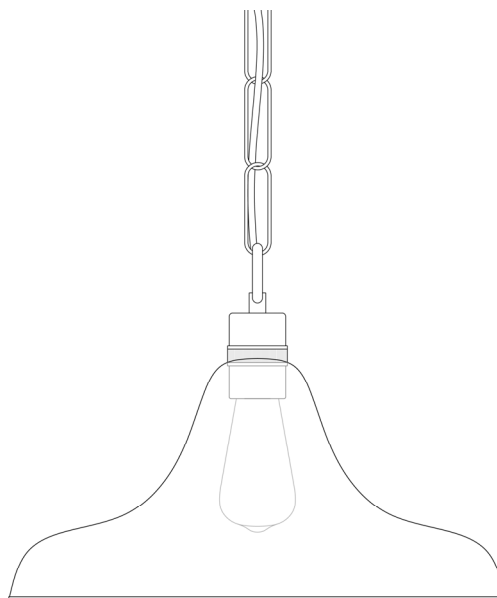


**Product Notes:**

1) Lamps not included with light fixture. 2) All products are individually hand crafted, therefore may differ slightly within manufacturing tolerances. 3) Please refer to: <http://www.mullanlighting.com/terms> for full list of Terms & Conditions. 4) Cable/Chain can be shortened during installation. 5) Longer Cable/Chain available on request. 6) Additional colour finishes available on request. 7.) Dimensions do not include lamps. 8.) Products wired to UL standards will operate at 110/120v with the appropriate lampholders.

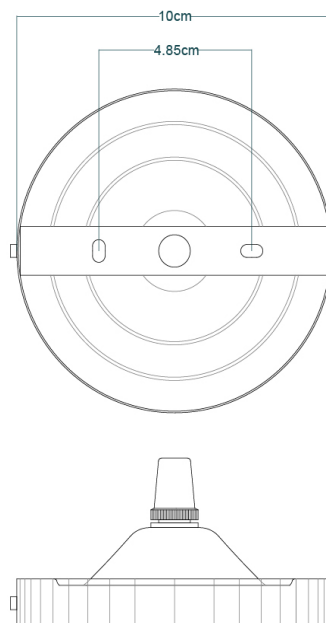
# CLIFTON Pendant

MLP454ANTSLV Antique Silver



MATERIAL	Brass   Glass
HEIGHT	21cm   8.27"
WIDTH   DIAMETER	37cm   14.57"
LENGTH   PROJECTION	n/a
WEIGHT	2.1KG   4.63lbs
LAMPHOLDER	E27 x 1
MAX WATTAGE	40W x 1
VOLTAGE	220/240v
IP RATING	20
CLASS PROTECTION	I
SHADE	GL177
FLEX   BAR   CHAIN LENGT	100cm   40"
CABLE TYPE	MLCA014   2 Core Flat   Clear   PVC

Fixing Bracket MLROSE05GRIP | Antique Silver

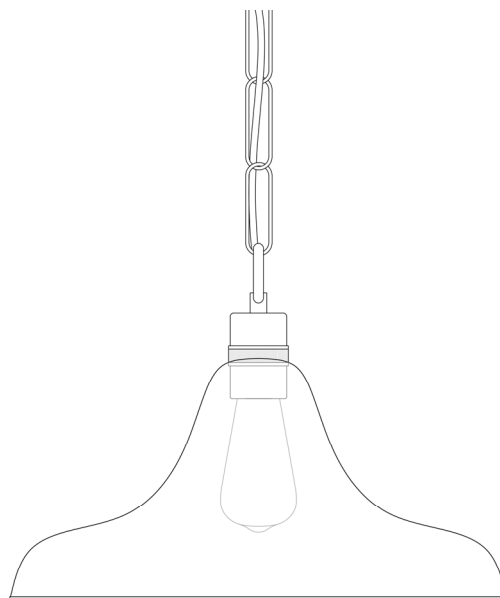


**Product Notes:**

1) Lamps not included with light fixture. 2) All products are individually hand crafted, therefore may differ slightly within manufacturing tolerances. 3) Please refer to: <http://www.mullanlighting.com/terms> for full list of Terms & Conditions. 4) Cable/Chain can be shortened during installation. 5) Longer Cable/Chain available on request. 6) Additional colour finishes available on request. 7.) Dimensions do not include lamps. 8.) Products wired to UL standards will operate at 110/120v with the appropriate lampholders.

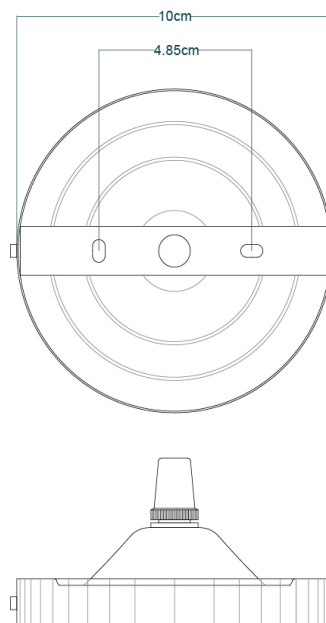
# CLIFTON Pendant

MLP454POLBRS Polished Brass



MATERIAL	Brass   Glass
HEIGHT	21cm   8.27"
WIDTH   DIAMETER	37cm   14.57"
LENGTH   PROJECTION	n/a
WEIGHT	2.1KG   4.63lbs
LAMPHOLDER	E27 x 1
MAX WATTAGE	40W x 1
VOLTAGE	220/240v
IP RATING	20
CLASS PROTECTION	I
SHADE	GL177
FLEX   BAR   CHAIN LENGT	100cm   40"
CABLE TYPE	MLCA038   2 Core Flat   Gold   PVC

Fixing Bracket MLROSE05GRIP | Polished Brass

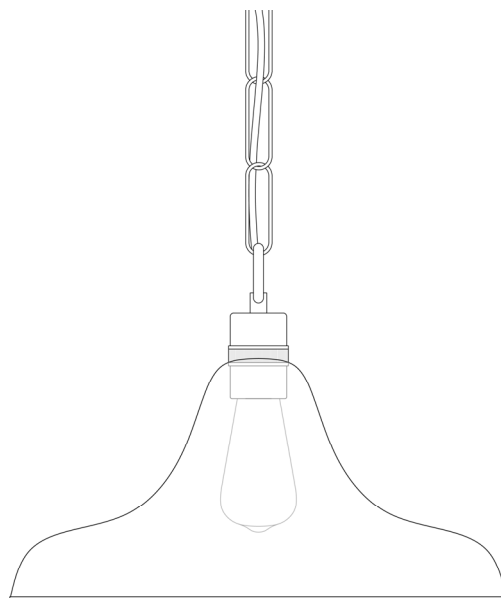


Product Notes:

1) Lamps not included with light fixture. 2) All products are individually hand crafted, therefore may differ slightly within manufacturing tolerances. 3) Please refer to: <http://www.mullanlighting.com/terms> for full list of Terms & Conditions. 4) Cable/Chain can be shortened during installation. 5) Longer Cable/Chain available on request. 6) Additional colour finishes available on request. 7.) Dimensions do not include lamps. 8.) Products wired to UL standards will operate at 110/120v with the appropriate lampholders.

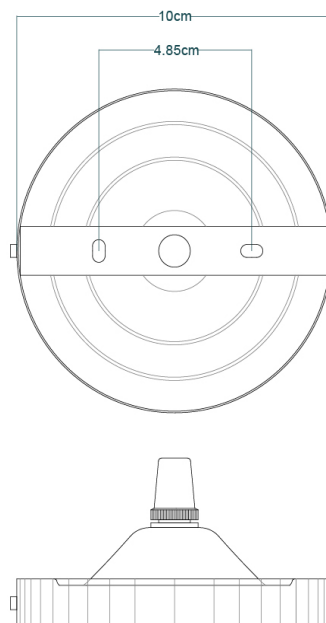
# CLIFTON Pendant

MLP454POLCHR Polished Chrome



MATERIAL	Brass   Glass
HEIGHT	21cm   8.27"
WIDTH   DIAMETER	37cm   14.57"
LENGTH   PROJECTION	n/a
WEIGHT	2.1KG   4.63lbs
LAMPHOLDER	E27 x 1
MAX WATTAGE	40W x 1
VOLTAGE	220/240v
IP RATING	20
CLASS PROTECTION	I
SHADE	GL177
FLEX   BAR   CHAIN LENGT	100cm   40"
CABLE TYPE	MLCA010   2 Core Flat   Brown   PVC

Fixing Bracket MLROSE05GRIP | Polished Chrome

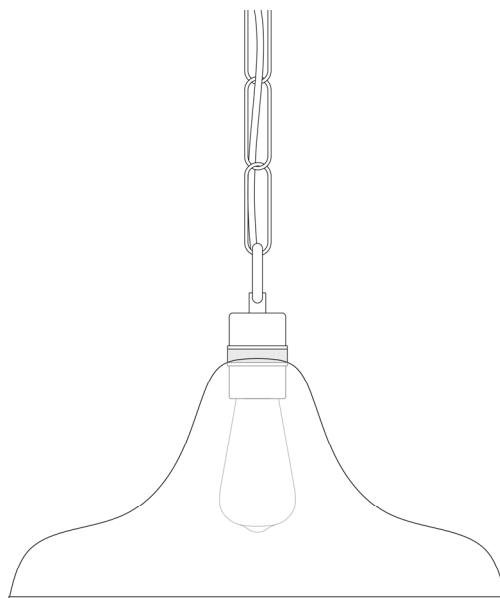


Product Notes:

1) Lamps not included with light fixture. 2) All products are individually hand crafted, therefore may differ slightly within manufacturing tolerances. 3) Please refer to: <http://www.mullanlighting.com/terms> for full list of Terms & Conditions. 4) Cable/Chain can be shortened during installation. 5) Longer Cable/Chain available on request. 6) Additional colour finishes available on request. 7.) Dimensions do not include lamps. 8.) Products wired to UL standards will operate at 110/120v with the appropriate lampholders.

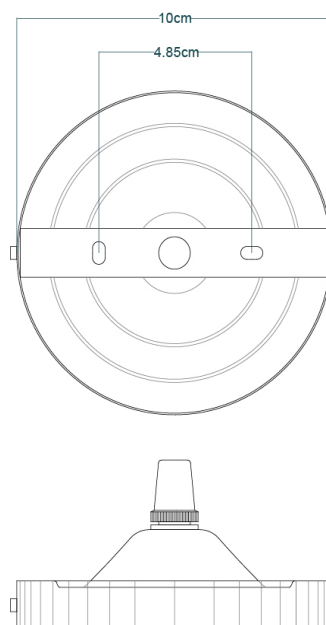
# CLIFTON Pendant

MLP454SATBRS Satin Brass



MATERIAL	Brass   Glass
HEIGHT	21cm   8.27"
WIDTH   DIAMETER	37cm   14.57"
LENGTH   PROJECTION	n/a
WEIGHT	2.1KG   4.63lbs
LAMPHOLDER	E27 x 1
MAX WATTAGE	40W x 1
VOLTAGE	220/240v
IP RATING	20
CLASS PROTECTION	I
SHADE	GL177
FLEX   BAR   CHAIN LENGT	100cm   40"
CABLE TYPE	MLCA038   2 Core Flat   Gold   PVC

Fixing Bracket MLROSE05GRIP | Satin Brass

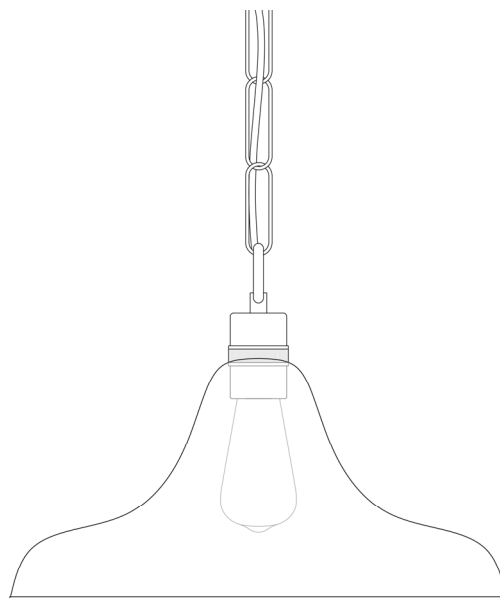


Product Notes:

1) Lamps not included with light fixture. 2) All products are individually hand crafted, therefore may differ slightly within manufacturing tolerances. 3) Please refer to: <http://www.mullanlighting.com/terms> for full list of Terms & Conditions. 4) Cable/Chain can be shortened during installation. 5) Longer Cable/Chain available on request. 6) Additional colour finishes available on request. 7.) Dimensions do not include lamps. 8.) Products wired to UL standards will operate at 110/120v with the appropriate lampholders.

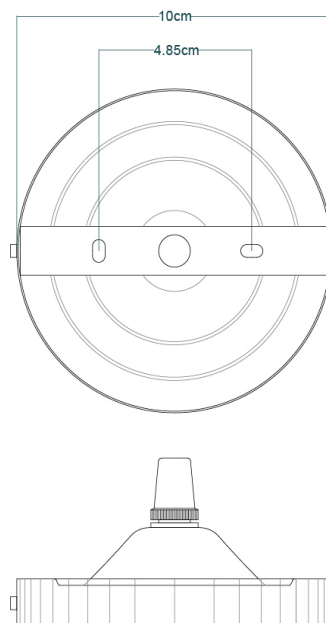
# CLIFTON Pendant

MLP454SATCHR Satin Chrome



MATERIAL	Brass   Glass
HEIGHT	21cm   8.27"
WIDTH   DIAMETER	37cm   14.57"
LENGTH   PROJECTION	n/a
WEIGHT	2.1KG   4.63lbs
LAMPHOLDER	E27 x 1
MAX WATTAGE	40W x 1
VOLTAGE	220/240v
IP RATING	20
CLASS PROTECTION	I
SHADE	GL177
FLEX   BAR   CHAIN LENGT	100cm   40"
CABLE TYPE	MLCA010   2 Core Flat   Brown   PVC

Fixing Bracket MLROSE05GRIP | Satin Chrome



Product Notes:

1) Lamps not included with light fixture. 2) All products are individually hand crafted, therefore may differ slightly within manufacturing tolerances. 3) Please refer to: <http://www.mullanlighting.com/terms> for full list of Terms & Conditions. 4) Cable/Chain can be shortened during installation. 5) Longer Cable/Chain available on request. 6) Additional colour finishes available on request. 7.) Dimensions do not include lamps. 8.) Products wired to UL standards will operate at 110/120v with the appropriate lampholders.