

TECHNICAL DATA
PROFILE & COVING

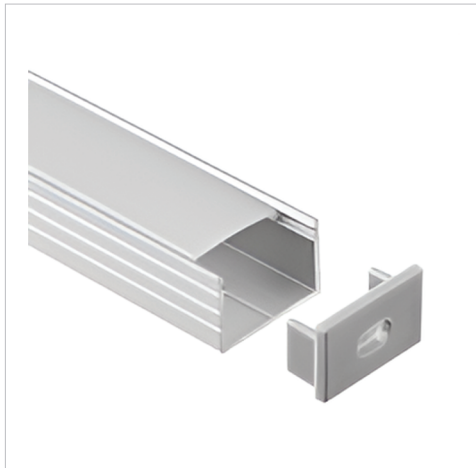
PRODUCT CODE

PROFILE18

WARRANTY
3 years guarantee



- @GAPLightingLtd
- GAP Lighting Ltd
- /GAPLightingLtd
- GAP Lighting Ltd

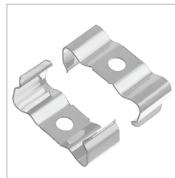


PRODUCT DESCRIPTION

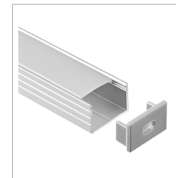
Surface mount aluminium channel for various LED striplights. Includes PC diffuser for anti-glare light output.



Plastic end caps



Metallic clips



PC Cover

PRODUCT FEATURES

Anodised Aluminium profile for mounting flexible LED striplight up to 16mm width

Create a solid fixture / continuous linear LED lighting system

Available in 2 metre lengths silver finish

Surface mount

Suitable for diverse interior applications

Not watertight

PRODUCT DATA

Model	PROFILE18
Material	Aluminium Polycarbonate
Protection	IP20
Colour	Silver
Diffuser	Anti-glare opaque
Length	2 metres
Application	Surface mount
Installation	Includes fixing clips and end caps
Dimensions	W 18mm D 13mm Internal Width 16mm
Approvals	CE ROHS

COMPATIBILITY

iFLEX / FLEX CCT / FLEX RGBW /
FLEX-DMX / FLEX 20 / POWER FLEX /
FLEX-LINE / FLEXI / FLEX 65

Line Drawing

