

7 7 Years
Product Warranty
UK Only

2 2 Years
On-Site Warranty
Main-land UK Only



Alden II Pro

06889 ALDP36-SCT

Alden II Pro 36W 600*600 IP65 CCT switchable

- Save up to 50% energy usage compared to traditional fluorescent fittings
- Square edge tray with robust structure to allow even light distribution around the edge
- TP(a) rated diffuser
- DALI, 1-10V (0-10V) and Push dimming alternative driver available
- IP44/IP65(27W and 36W) when ceiling recess mounted
- Include Philips CertaDriver LED driver
- Flicker free
- UGR < 19
- Optional anti-glare diffusers available



Overview

Alden II Pro LED panels offer direct backlit lighting with wide-angle optics to achieve even light distribution across the surface of the luminaire and is an easy-to-retrofit replacement for in-lay ceiling tile fittings. CCT switchable and supplied with polycarbonate or polystyrene diffusers and flicker-free drivers as standard.



IP65



General Information

Ambient Temperature Range (°C)	-20°C to 50°C
IK Rating	IK04
IP Rating	IP65
Nominal Lifetime (h)	50,000 h
Protection Rating	Class III
Installation Area	Internal

Technical Summary

Product Code	ALDP36-SCT
Input Voltage Supply	220-240Vac 50/60Hz
Default Power	36 W
Driver Code/Part number	Philips CertaDrive 36W 0.9A 40V 230V I
Driver Maximum Power (W)	36 W
Driver Output Current (mA)	900
Power Factor	0.95
Driver Power Factor	0.9
Default CCT	4,000 K
Settable Colour Temperatures	3000k, 4000k, 6500k
SDCM of CCT	<6
CRI	≥82
Dimmable	N
Flicker	<1%
Lumens Output Maximum	4,000 lm
Maximum Efficiency	111 lm/W
Emergency Luminous Flux	550 lm
L80B10 Lifetime (h) @Ta 25 °C	60,000 h
Nominal Lifetime (h)	50,000 h
Weight	1.7Kg
Dimensions (L x W x D) (mm)	595x595x36



Kosnic Lighting



KosnicUK



KosnicLightingUK



KosnicUK

Tel: 01635 523 713

Email: sales@kosnic.com

Kosnic.com

7 Years
Product Warranty
UK Only

2 Years
On-Site Warranty
Main-land UK Only

Alden II Pro



06889 ALDP36-SCT

Overview

Alden II Pro LED panels offer direct backlit lighting with wide-angle optics to achieve even light distribution across the surface of the luminaire and is an easy-to-retrofit replacement for in-lay ceiling tile fittings. CCT switchable and supplied with polycarbonate or polystyrene diffusers and flicker-free drivers as standard.



IP65



General Information

Ambient Temperature Range (°C)	-20°C to 50°C
IK Rating	IK04
IP Rating	IP65
Nominal Lifetime (h)	50,000 h
Protection Rating	Class III
Installation Area	Internal

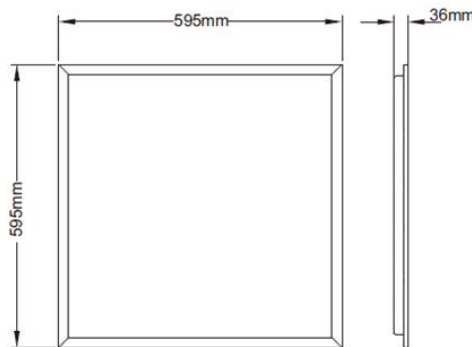
Optional Gear

Product Code	Description	Type
CYC030TDC30-90	30W DALI2 1-10V primary push dim driver (KL30C-PDiIV)	Dimmable Driver
DRC40/DA	Dimmable Driver: 40W DALI2 1-10V primary push dim driver	Dimmable Driver
UEM03	3W Universal Emergency Module	Emergency Module
UEM03/ST	3W Universal Emergency Module, Self Test	Self-test Emergency Module
UEM04	4W Universal Emergency Module Pro	Emergency Module
UEM04/ST	4W Universal Emergency Module Pro Self Test	Self-test Emergency Module
EMPAD02	Niah, 2W universal emergency pad for LED panel	Emergency Module

Accessories

Product Code	Description	Type
SMT0606	Surface-mount frame for 600*600 panel, White	Mount Frame
SUS04	LED Panel & Slim Line II suspension kit (4 cables per bag)	Suspension Kit
ALDAG-0606	Alden 595x595mm anti-glare diffuser	Diffuser
SUS04/25	Suspension kit 2.5m Alden & Nevis & Slim Line II (4 cables per bag)	Suspension Kit

Settable (Default in Bold)	Variable	
Rated Power (W)	CCT (K)	Total Luminous Flux (lm)
36	3000	3700
36	4000	4000
36	6500	3700



Kosnic Lighting



KosnicUK



KosnicLightingUK



KosnicUK

Tel: 01635 523 713

Email: sales@kosnic.com

Kosnic.com

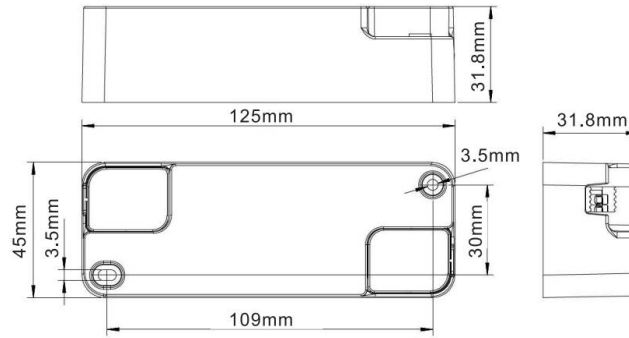
7 Years
Product Warranty
UK Only

2 Years
On-Site Warranty
Main-land UK Only

Alden II Pro



06889 ALDP36-SCT



Overview

Alden II Pro LED panels offer direct backlit lighting with wide-angle optics to achieve even light distribution across the surface of the luminaire and is an easy-to-retrofit replacement for in-lay ceiling tile fittings. CCT switchable and supplied with polycarbonate or polystyrene diffusers and flicker-free drivers as standard.



IP65



General Information

Ambient Temperature Range (°C)	-20°C to 50°C
IK Rating	IK04
IP Rating	IP65
Nominal Lifetime (h)	50,000 h
Protection Rating	Class III
Installation Area	Internal



Kosnic Lighting



KosnicUK



KosnicLightingUK



KosnicUK

Tel: 01635 523 713

Email: sales@kosnic.com

Kosnic.com