

**5** 5 Years  
Product Warranty  
UK Only

**2** 2 Years  
On-Site Warranty  
Main-land UK Only



# Alden III

07876 ALD330-W30

## Alden III 30W backlit LED panel 600x600 CCT 3000K

- UGR < 17
- TP(a) rated diffuser
- Save up to 50% energy usage compared to traditional fluorescent fittings
- Square edge tray with robust structure to allow even light distribution around the edge
- DALI, 1-10V (0-10V) and PUSH alternative driver available
- IP44 when ceiling recess mounted
- Flicker free



## Overview

The Kosnic Alden III LED panel offers direct backlit lighting with wide-angle optics to achieve even light distribution across the surface of the luminaire and is an easy-to-retrofit replacement for in-lay ceiling tile fittings. The panels are supplied with flicker-free drivers as standard.



IP44



## General Information

Ambient Temperature Range (°C)	-20°C to 50°C
IK Rating	IK04
IP Rating	IP44
Nominal Lifetime (h)	50,000 h
Protection Rating	Class II
Installation Area	Internal

## Technical Summary

Product Code	ALD330-W30
Input Voltage Supply	220-240Vac 50/60Hz
Default Power	30 W
Driver Code/Part number	DR32C75
Driver Maximum Power (W)	32 W
Driver Output Current (mA)	750
Power Factor	0.95
Driver Power Factor	0.9
Default CCT	3,000 K
SDCM of CCT	<6
CRI	82
Dimmable	N
Flicker	<1%
Lumens Output Maximum	3,200 lm
Maximum Efficiency	107 lm/W
Maintained Luminous Flux	500 lm
L80B10 Lifetime (h) @Ta 25 °C	111,000 h
Nominal Lifetime (h)	50,000 h
Weight	1.73Kg
Dimensions (L x W x D) (mm)	595x595x36



Kosnic Lighting



KosnicUK



KosnicLightingUK



KosnicUK

Tel: 01635 523 713

Email: [sales@kosnic.com](mailto:sales@kosnic.com)

[Kosnic.com](http://Kosnic.com)

**5** 5 Years  
Product Warranty  
UK Only

**2** 2 Years  
On-Site Warranty  
Main-land UK Only

# Alden III



07876 ALD330-W30

## Optional Gear

Product Code	Description	Type
DRC40/DA	Dimmable Driver: 40W DALI2 1-10V primary push dim driver	Dimmable Driver
UEM03	3W Universal Emergency Module	Emergency Module
UEM03/ST	3W Universal Emergency Module, Self Test	Self-test Emergency Module
UEM04	4W Universal Emergency Module Pro	Emergency Module
UEM04/ST	4W Universal Emergency Module Pro Self Test	Self-test Emergency Module
DRC30/DA	Dimmable Driver: 30W DALI, 1-10V, Primary PUSH Driver	Dimmable Driver
UEM04/DA	4W DALI Universal Emergency Module Pro	Emergency Module
EMPAD02	Niah, 2W universal emergency pad for LED panel	Emergency Module

## Accessories

Product Code	Description	Type
SMT0606	Surface-mount frame for 600*600 panel, White	Mount Frame
SUS04	LED Panel & Slim Line II suspension kit (4 cables per bag)	Suspension Kit
ALDAG-0606	Alden 595x595mm anti-glare diffuser	Diffuser
SAS0606	Clips for Burgess ceilings	Clips/Brackets
REC0606	Recessed-mount frame 595x595mm white	Mount Frame
SUS04/25	Suspension kit 2.5m Alden & Nevis & Slim Line II (4 cables per bag)	Suspension Kit

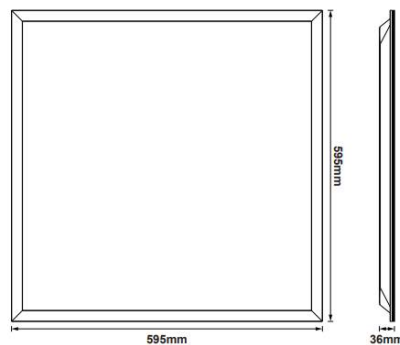
## Overview

The Kosnic Alden III LED panel offers direct backlit lighting with wide-angle optics to achieve even light distribution across the surface of the luminaire and is an easy-to-retrofit replacement for in-lay ceiling tile fittings. The panels are supplied with flicker-free drivers as standard.



## General Information

Ambient Temperature Range (°C)	-20°C to 50°C
IK Rating	IK04
IP Rating	IP44
Nominal Lifetime (h)	50,000 h
Protection Rating	Class II
Installation Area	Internal



Kosnic Lighting



KosnicUK



KosnicLightingUK



KosnicUK

Tel: 01635 523 713

Email: sales@kosnic.com

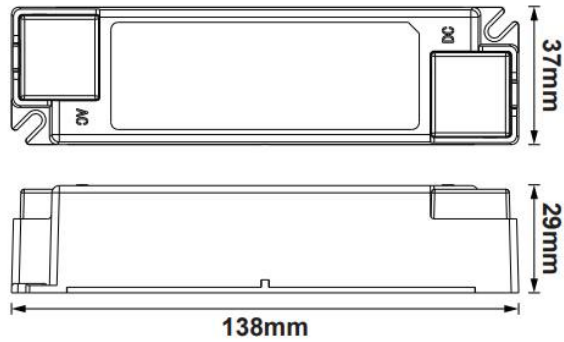
Kosnic.com

**5** 5 Years  
Product Warranty  
UK Only

**2** 2 Years  
On-Site Warranty  
Main-land UK Only

# Alden III

07876 ALD330-W30



## Overview

The Kosnic Alden III LED panel offers direct backlit lighting with wide-angle optics to achieve even light distribution across the surface of the luminaire and is an easy-to-retrofit replacement for in-lay ceiling tile fittings. The panels are supplied with flicker-free drivers as standard.



## General Information

Ambient Temperature Range (°C)	-20°C to 50°C
IK Rating	IK04
IP Rating	IP44
Nominal Lifetime (h)	50,000 h
Protection Rating	Class II
Installation Area	Internal



Kosnic Lighting



KosnicUK



KosnicLightingUK



KosnicUK

Tel: 01635 523 713

Email: [sales@kosnic.com](mailto:sales@kosnic.com)

[Kosnic.com](http://Kosnic.com)