

5 5 Years
Product Warranty
UK Only

2 2 Years
On-Site Warranty
Main-land UK Only



Alden III

07878 ALD330-W65

Alden III 30W backlit LED panel 600x600 CCT 6500K

- UGR < 17
- TP(a) rated diffuser
- Save up to 50% energy usage compared to traditional fluorescent fittings
- Square edge tray with robust structure to allow even light distribution around the edge
- DALI, 1-10V (0-10V) and PUSH alternative driver available
- IP44 when ceiling recess mounted
- Flicker free



Overview

The Kosnic Alden III LED panel offers direct backlit lighting with wide-angle optics to achieve even light distribution across the surface of the luminaire and is an easy-to-retrofit replacement for in-lay ceiling tile fittings. The panels are supplied with flicker-free drivers as standard.



IP44



General Information

Ambient Temperature Range (°C)	-20°C to 50°C
IK Rating	IK04
IP Rating	IP44
Nominal Lifetime (h)	50,000 h
Protection Rating	Class II
Installation Area	Internal

Technical Summary

Product Code	ALD330-W65
Input Voltage Supply	220-240Vac 50/60Hz
Default Power	30 W
Driver Code/Part number	DR32C75
Driver Maximum Power (W)	32 W
Driver Output Current (mA)	750
Power Factor	0.95
Driver Power Factor	0.9
Default CCT	6,500 K
SDCM of CCT	<6
CRI	82
Dimmable	N
Flicker	<1%
Lumens Output Maximum	3,200 lm
Maximum Efficiency	107 lm/W
Maintained Luminous Flux	500 lm
L80B10 Lifetime (h) @Ta 25 °C	111,000 h
Nominal Lifetime (h)	50,000 h
Weight	1.73Kg
Dimensions (L x W x D) (mm)	595x595x36



Kosnic Lighting



KosnicUK



KosnicLightingUK



KosnicUK

Tel: 01635 523 713

Email: sales@kosnic.com

Kosnic.com

5 5 Years
Product Warranty
UK Only

2 2 Years
On-Site Warranty
Main-land UK Only

Alden III



07878 ALD330-W65

Overview

The Kosnic Alden III LED panel offers direct backlit lighting with wide-angle optics to achieve even light distribution across the surface of the luminaire and is an easy-to-retrofit replacement for in-lay ceiling tile fittings. The panels are supplied with flicker-free drivers as standard.



General Information

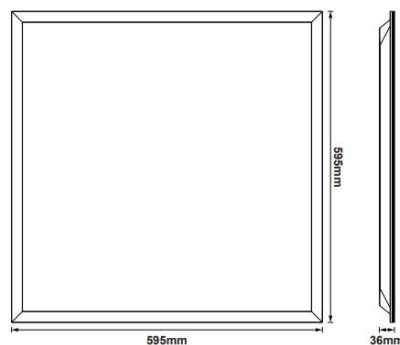
Ambient Temperature Range (°C)	-20°C to 50°C
IK Rating	IK04
IP Rating	IP44
Nominal Lifetime (h)	50,000 h
Protection Rating	Class II
Installation Area	Internal

Optional Gear

Product Code	Description	Type
DRC40/DA	Dimmable Driver: 40W DALI2 1-10V primary push dim driver	Dimmable Driver
UEM03	3W Universal Emergency Module	Emergency Module
UEM03/ST	3W Universal Emergency Module, Self Test	Self-test Emergency Module
UEM04	4W Universal Emergency Module Pro	Emergency Module
UEM04/ST	4W Universal Emergency Module Pro Self Test	Self-test Emergency Module
UEM04/DA	4W DALI Universal Emergency Module Pro	Emergency Module
EMPAD02/ST	Niah self test 2W universal emergency pad for LED panel	Self-test Emergency Module
EMPAD02	Niah, 2W universal emergency pad for LED panel	Emergency Module

Accessories

Product Code	Description	Type
SMT0606	Surface-mount frame for 600*600 panel, White	Mount Frame
SUS04	LED Panel & Slim Line II suspension kit (4 cables per bag)	Suspension Kit
SUS04/25	Suspension kit 2.5m Alden & Nevis & Slim Line II (4 cables per bag)	Suspension Kit



Kosnic Lighting



KosnicUK



KosnicLightingUK



KosnicUK

Tel: 01635 523 713

Email: sales@kosnic.com

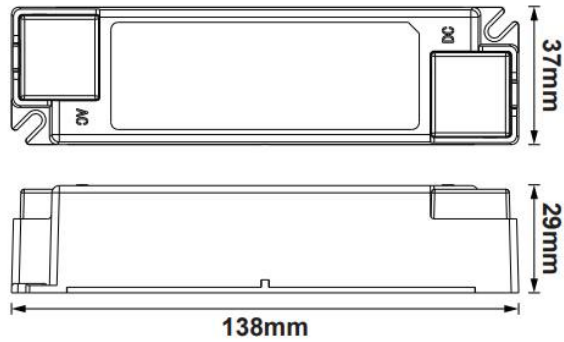
Kosnic.com

5 5 Years
Product Warranty
UK Only

2 2 Years
On-Site Warranty
Main-land UK Only

Alden III

07878 ALD330-W65



Overview

The Kosnic Alden III LED panel offers direct backlit lighting with wide-angle optics to achieve even light distribution across the surface of the luminaire and is an easy-to-retrofit replacement for in-lay ceiling tile fittings. The panels are supplied with flicker-free drivers as standard.



General Information

Ambient Temperature Range (°C)	-20°C to 50°C
IK Rating	IK04
IP Rating	IP44
Nominal Lifetime (h)	50,000 h
Protection Rating	Class II
Installation Area	Internal



Kosnic Lighting



KosnicUK



KosnicLightingUK



KosnicUK

Tel: 01635 523 713

Email: sales@kosnic.com

Kosnic.com