

5 5 Years
Product Warranty
UK Only

2 2 Years
On-Site Warranty
Main-land UK Only

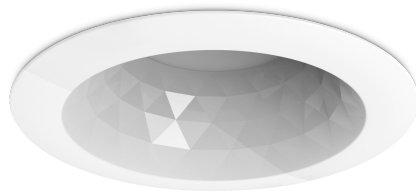


Faceta

07070 FAC3IN08-SCT

Faceta, 3 inch LED commercial downlight, CCT switchable, 8W

- IP65 when ceiling recess mounted
- Option of CCT switching 3000K, 4000K, 5000K
- Unique faceted white reflector
- Low glare
- Flicker free



Overview

The Faceta LED Commercial

Downlight range are retrofit LED lighting for widely used 3", 4", 6" and 8" fluorescent downlights with a distinctive faceted white reflector and a recessed light source.

Available with a switchable CCT and the downlights are compatible with Kosnic's emergency module.



IP65



General Information

Ambient Temperature Range (°C)	-20°C to 50°C
IP Rating	IP65
Materials	Housing PBT, Diffuser Polycarbonate
Nominal Lifetime (h)	50,000 h
Protection Rating	Class III
Installation Area	Internal

Technical Summary

Product Code	FAC3IN08-SCT
Default Power	8 W
Driver Code/Part number	CYC008SNL018N
Driver Maximum Power (W)	8
Driver Output Current (mA)	180
Power Factor	0.91
Driver Power Factor	42
Default CCT	4,000 K
Settable Colour Temperatures	3000k, 4000k, 5000k
SDCM of CCT	<6
CRI	>80
Dimmable	N
Lumens Output Maximum	400 lm
Maximum Efficiency	50 lm/W
Maintained Luminous Flux	180 lm
Nominal Lifetime (h)	50,000 h
Weight	0.3Kg
Dimensions (L x W x D) (mm)	84xØ136
Cut-Out (mm)	Ø86mm



Kosnic Lighting



KosnicUK



KosnicLightingUK



KosnicUK

Tel: 01635 523 713

Email: sales@kosnic.com

Kosnic.com

5 5 Years
Product Warranty
UK Only

2 2 Years
On-Site Warranty
Main-land UK Only

Faceta



07070 FAC3IN08-SCT

Optional Gear

Product Code	Description	Type
UEM03	3W Universal Emergency Module	Emergency Module
UEM03/ST	3W Universal Emergency Module, Self Test	Self-test Emergency Module
DRC20/DA	Dimmable Driver: 20W DALI2 1-10V primary push dim driver	Dimmable Driver
EMPAD01/ST	Neka self test 1W universal emergency pad for downlight	Self-test Emergency Module
EMPAD01	Neka, 1W universal emergency pad for downlight	Emergency Module

Overview

The Faceta LED Commercial Downlight range are retrofit LED lighting for widely used 3", 4", 6" and 8" fluorescent downlights with a distinctive faceted white reflector and a recessed light source.

Available with a switchable CCT and the downlights are compatible with Kosnic's emergency module.

Lumen (lm)	CCT (K)
350	3000
400	4000
400	5000

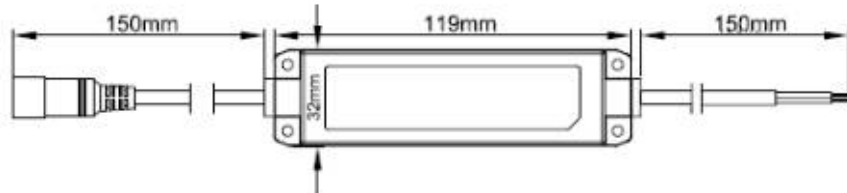
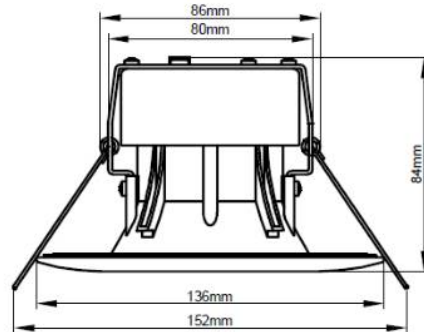


IP65



General Information

Ambient Temperature Range (°C)	-20°C to 50°C
IP Rating	IP65
Materials	Housing PBT, Diffuser Polycarbonate
Nominal Lifetime (h)	50,000 h
Protection Rating	Class III
Installation Area	Internal



Kosnic Lighting



KosnicUK



KosnicLightingUK



KosnicUK

Tel: 01635 523 713

Email: sales@kosnic.com

Kosnic.com