

**5** 5 Years  
Product Warranty  
UK Only

**2** 2 Years  
On-Site Warranty  
Main-land UK Only

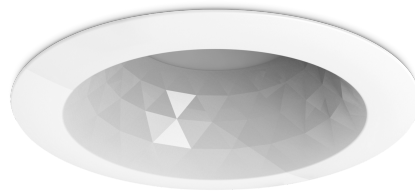


# Faceta

07071 FAC4IN10-SCT

## Faceta, 4 inch LED commercial downlight, 10W/6W CCT/W switch

- IP65 when ceiling recess mounted
- Optional drop-down diffusers for KC DL2622FR65
- Unique faceted white reflector
- Low glare
- Flicker free
- Optional DALI, 1-10V (0-10V) driver (FAC8IN26-SCT)
- Option of CCT switching 3000K, 4000K, 5000K



## Overview

The Faceta LED Commercial

Downlight range are retrofit LED

lighting for widely used 3", 4", 6" and

8" fluorescent downlights with a

distinctive faceted white reflector

and a recessed light source.

Available with a switchable CCT and

the downlights are compatible with

Kosnic's emergency module.



IP65



## General Information

Ambient Temperature Range (°C)	-20°C to 50°C
IP Rating	IP65
Nominal Lifetime (h)	50,000 h
Protection Rating	Class III
Installation Area	Internal

## Technical Summary

Product Code	FAC4IN10-SCT
Input Voltage Supply	220-240Vac 50/60Hz
Default Power	10 W
Settable Wattages	6W, 10W
Driver Code/Part number	CYC015SNL16-35N (DR15C1635)
Driver Output Current (mA)	160/350
Power Factor	0.95
Driver Power Factor	>0.9
Default CCT	4,000 K
Settable Colour Temperatures	3000k, 4000k, 5000k
SDCM of CCT	<6
CRI	>80
Dimmable	Specific Dimmer
Lumens Output Maximum	600 lm
Maximum Efficiency	60 lm/W
Maintained Luminous Flux	250 lm
Nominal Lifetime (h)	50,000 h
Weight	0.35Kg
Dimensions (L x W x D) (mm)	84xØ151
Cut-Out (mm)	Ø111mm



Kosnic Lighting



KosnicUK



KosnicLightingUK



KosnicUK

Tel: 01635 523 713

Email: sales@kosnic.com

Kosnic.com

**5** 5 Years  
Product Warranty  
UK Only

**2** 2 Years  
On-Site Warranty  
Main-land UK Only

# Faceta

07071 FAC4IN10-SCT

## Optional Gear

Product Code	Description	Type
UEM03	3W Universal Emergency Module	Emergency Module
UEM03/ST	3W Universal Emergency Module, Self Test	Self-test Emergency Module
DRC20/DA	Dimmable Driver: 20W DALI2 1-10V primary push dim driver	Dimmable Driver
EMPAD01/ST	Neka self test 1W universal emergency pad for downlight	Self-test Emergency Module
EMPAD01	Neka, 1W universal emergency pad for downlight	Emergency Module

## Overview

The Faceta LED Commercial Downlight range are retrofit LED lighting for widely used 3", 4", 6" and 8" fluorescent downlights with a distinctive faceted white reflector and a recessed light source.

Available with a switchable CCT and the downlights are compatible with Kosnic's emergency module.

Rated Power (W)	Current (mA)	CCT (K)	Lumen (lm)
6	30	3000	300
6	30	4000	330
6	30	5000	330
10	46	3000	550
10	46	4000	600
10	46	5000	600

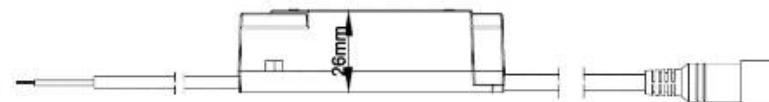
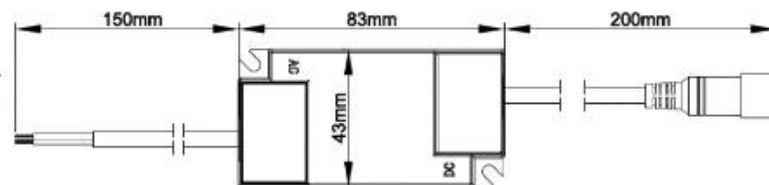
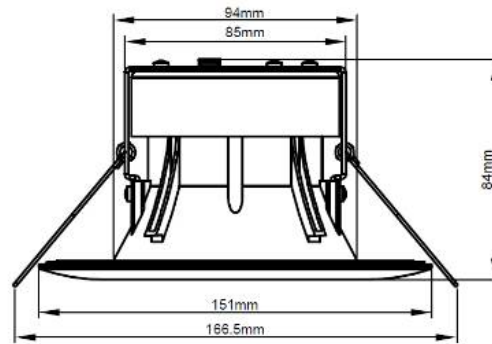


**IP65**



## General Information

Ambient Temperature Range (°C)	-20°C to 50°C
IP Rating	IP65
Nominal Lifetime (h)	50,000 h
Protection Rating	Class III
Installation Area	Internal



Kosnic Lighting



KosnicUK



KosnicLightingUK



KosnicUK

Tel: 01635 523 713

Email: sales@kosnic.com

Kosnic.com