

7 7 Years
Product Warranty
UK Only

2 2 Years
On-Site Warranty
Main-land UK Only



Echo III

07883 ECH3150-W50

Echo III, LED Circular Highbay, IP65, 150W, 5000K

- High efficiency of 145lm/W
- Diecast aluminium
- Dimmable via a wired 1-10v dimmer switch
- IP65 & vandal resistant (IK10)
- Optional reflectors on all models
- Flicker free



Overview

The Echo III provides a high efficiency of 145lm/W or a range of wattage options and 1-10v dimming for further control. The IP65 rating and range of shades means the Echo III is suited for a range of areas both internal and external, with optional emergency gear if needed.



IP65



General Information

Ambient Temperature Range (°C)	-20°C to 50°C
IK Rating	IK10
IP Rating	IP65
Nominal Lifetime (h)	50,000 h
Protection Rating	Class I
Installation Area	Internal and External

Technical Summary

Product Code	ECH3150-W50
Input Voltage Supply	220-240Vac 50/60Hz
Default Power	150 W
Settable Wattages	100W, 120W, 150W
Driver Code/Part number	Sosen
Power Factor	0.98
Default CCT	5,000 K
SDCM of CCT	<6
CRI	≥82
Dimmable	N
Flicker	<1%
Lumens Output Maximum	22,500 lm
Maximum Efficiency	150 lm/W
Emergency Luminous Flux	900 lm
L80B10 Lifetime (h) @Ta 25 °C	87,000 h
Nominal Lifetime (h)	50,000 h
Weight	2.55Kg
Dimensions (L x W x D) (mm)	164xØ259



Kosnic Lighting



KosnicUK



KosnicLightingUK



KosnicUK

Tel: 01635 523 713

Email: sales@kosnic.com

Kosnic.com

7 7 Years
Product Warranty
UK Only

2 2 Years
On-Site Warranty
Main-land UK Only

Echo III



07883 ECH3150-W50

Optional Gear

Product Code	Description	Type
EMHB08/ST	8W self-test Universal Emergency Module for LED high bay	Self-test Emergency Module
EMHB08	8W standard Universal Emergency Module for LED high bay	Emergency Module
EMHB10	10W standard Universal Emergency Module for LED high bay	Emergency Module
EMHB10/ST	10W self-test Universal Emergency Module for LED high bay	Self-test Emergency Module
ECH-RMT	Echo II PIR sensor remote control (for PIR-ZGA)	Remote Control
EMHB10/DA	10W DALI Emergency Module for Kosnic LED high bay	Emergency Module
PIR-ZGA	PIR sensor with Zhaga connector with ON/OFF 0-10V Dimming	PIR Sensor

Accessories

Product Code	Description	Type
ECH-SHD-PCS	Echo PC bell-shaped shade for KHBE100C1	Shade

Settable (Default in Bold)		Variable			
Rated Power (W)	CCT (K)	Maximum Current Draw (mA)	Total Luminous Flux (lm)	Power Factor	Light Source Supply
100	5000	450	15000	0.96	215Vdc 440mA
120	5000	540	18000	0.96	215Vdc 520mA
150	5000	670	22500	0.98	215Vdc 650mA

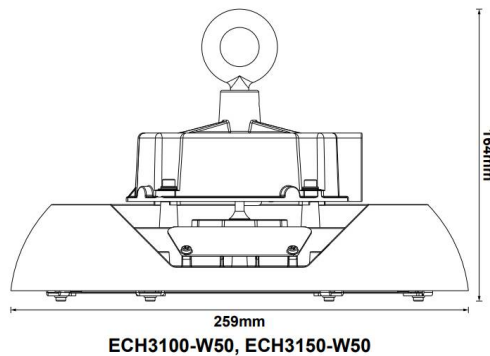
Overview

The Echo III provides a high efficiency of 145lm/W or a range of wattage options and 1-10v dimming for further control. The IP65 rating and range of shades means the Echo III is suited for a range of areas both internal and external, with optional emergency gear if needed.



General Information

Ambient Temperature Range (°C)	-20°C to 50°C
IK Rating	IK10
IP Rating	IP65
Nominal Lifetime (h)	50,000 h
Protection Rating	Class I
Installation Area	Internal and External



Kosnic Lighting



KosnicUK



KosnicLightingUK



KosnicUK

Tel: 01635 523 713

Email: sales@kosnic.com

Kosnic.com