

Mauna II Plus Fixed

06836 MAU206PL

Mauna II Plus fixed fire-rated downlight 6/4.5W 4CCT switch

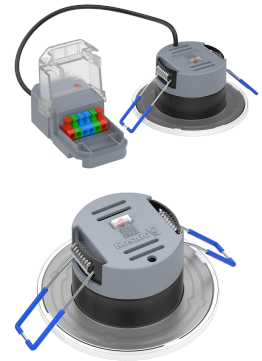
- Integrated dimmable driver
- Can be installed under Insulation layer
- Interchangeable magnetic bezels with different finishes
- Compact size with void of only 48mm
- Fixed white bezel as standard with add on satin chrome bezel included
- Acoustically rated in accordance with BS EN ISO
- 10140-2:2021 and BS EN ISO 10140-3:2021
- Coloured LENNEL push-wire terminals
- CCT switchable with 4 choices

Overview

The Mauna II Plus range as well as having the fire rating, ability to be installed under insulation, and low void clearance of the Mauna II, adds wattage switching and a CCT options. Also, anti-glare, and tilting options. With the magnetic bezels the Mauna II Plus range doesn't put functionality at the cost of aesthetics.



IP65



General Information

Ambient Temperature Range (°C)	-30°C to 50°C
IK Rating	IK07
IP Rating	IP65
Nominal Lifetime (h)	50,000 h
Protection Rating	Class I
Installation Area	Internal

Technical Summary

Product Code	MAU206PL
Input Voltage Supply	220-240Vac 50/60Hz
Fire Rating	30m I Joist, 60m I Joist, 90m Solid Joist
Default Power	6 W
Settable Wattages	4.5W, 6W
Driver Code/Part number	5RS215-224-248-D
Driver Maximum Power (W)	5.1
Driver Output Current (mA)	95
Driver Power Factor	0.85
Default CCT	3,000 K
Settable Colour Temperatures	2700k, 3000k, 4000k, 6000k
CRI	≥82
Dimmable	Y
Lumens Output Maximum	690 lm
Maximum Efficiency	115 lm/W
Emergency Luminous Flux	150 lm
L80B10 Lifetime (h) @Ta 25 °C	50,000 h
Nominal Lifetime (h)	50,000 h
Weight	0.19Kg
Dimensions (L x W x D) (mm)	46xØ86
Cut-Out (mm)	Ø64mm
Ceiling Void (mm)	48 mm



Kosnic Lighting



KosnicUK



KosnicLightingUK



KosnicUK

Tel: 01635 523 713

Email: sales@kosnic.com

Kosnic.com

Mauna II Plus Fixed

06836 MAU206PL

Optional Gear

Product Code	Description	Type
CYDIMRFT1	RF controlled triac dimmer	Dimmable Driver
MAUPIR-RMT	Mauna fire rated PIR ON/OFF sensor, remote included	Remote Control
EMPAD01	Neka, 1W universal emergency pad for downlight	Emergency Module

Accessories

Product Code	Description	Type
CONBZ-WHT	Concealer bezel for downlight cut out of 76mm or less, white	Bezel
MAUBZ-SABR	Mauna Square Magnetic bezel Antique Brass	Bezel
MAUBZ-SSCH	Mauna Square Magnetic bezel, Satin Chrome	Bezel
MAUBZ-SCHM	Mauna Square Magnetic bezel, Chrome	Bezel
MAUBZ-SWHT	Mauna Square Magnetic bezel, White	Bezel
MAUBZ-SBLK	Mauna Square Magnetic bezel, Black	Bezel
MAUBZ-SBAS	Mauna Square Magnetic bezel, Brass	Bezel
MAUBZ-ABR	Mauna Round Magnetic bezel Antique brass	Bezel
MAUBZ-SCH	Mauna Round Magnetic bezel Satin Chrome	Bezel
MAUBZ-CHM	Mauna Round Magnetic bezel Polished chrome	Bezel
MAUBZ-WHT	Mauna Round Magnetic bezel White	Bezel
MAUBZ-BLK	Mauna Round Magnetic bezel Black	Bezel
MAUBZ-BAS	Mauna Round Magnetic bezel Brass	Bezel

Overview

The Mauna II Plus range as well as having the fire rating, ability to be installed under insulation, and low void clearance of the Mauna II, adds wattage switching and a CCT options. Also, anti-glare, and tilting options. With the magnetic bezels the Mauna II Plus range doesn't put functionality at the cost of aesthetics.



General Information

Ambient Temperature Range (°C)	-30°C to 50°C
IK Rating	IK07
IP Rating	IP65
Nominal Lifetime (h)	50,000 h
Protection Rating	Class I
Installation Area	Internal

Settable (Default in Bold)		Variable					
Rated Power (W)	CCT (K)	Maximum Current Draw (mA)	Power Factor	Total Luminous Flux (lm)	LS Energy Consumption in on-mode (kWh/1000H)	LS Useful Luminous Flux (lm)	LS On-Mode Power (Pon) (W)
6	2700	30	0.88	580	6	450	6
6	3000	30	0.88	640	6	490	6
6	4000	30	0.88	690	6	530	6
6	6000	30	0.88	650	6	500	6
4.5	2700	23	0.86	460	5	360	4.5
4.5	3000	23	0.86	480	5	380	4.5
4.5	4000	23	0.86	510	5	410	4.5
4.5	6000	23	0.86	490	5	390	4.5
Rated Power (W)	CCT (K)	LS Chromaticity Co-Ordinates	LS Chromaticity Co-Ordinates	LS Peak Luminous Intensity	LS R9 CRI (LED/OLED)	LS Displacement Factor	LS Stroboscopic effect metric



Kosnic Lighting



KosnicUK



KosnicLightingUK



KosnicUK

Tel: 01635 523 713

Email: sales@kosnic.com

Kosnic.com

Mauna II Plus Fixed

06836 MAU206PL

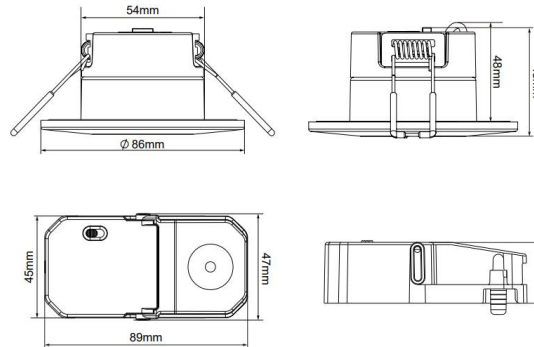
		(X)	(Y)	(DLS) (cd)			(SVM) (x,x)
6	2700	0.467	0.4236	420	8	0.96	0.5
6	3000	0.4375	0.4054	460	16	0.96	0.7
6	4000	0.3837	0.3729	510	28	0.96	0.4
6	6000	0.3177	0.3338	480	12	0.96	0.502
4.5	2700	0.467	0.4236	330	8	0.92	0.466
4.5	3000	0.4375	0.4054	350	16	0.92	0.658
4.5	4000	0.3837	0.3729	390	28	0.92	0.44
4.5	6000	0.3177	0.3338	380	12	0.92	0.502

Overview

The Mauna II Plus range as well as having the fire rating, ability to be installed under insulation, and low void clearance of the Mauna II, adds wattage switching and a CCT options. Also, anti-glare, and tilting options. With the magnetic bezels the Mauna II Plus range doesn't put functionality at the cost of aesthetics.



IP65



General Information

Ambient Temperature Range (°C)	-30°C to 50°C
IK Rating	IK07
IP Rating	IP65
Nominal Lifetime (h)	50,000 h
Protection Rating	Class I
Installation Area	Internal



Kosnic Lighting



KosnicUK



KosnicLightingUK



KosnicUK

Tel: 01635 523 713

Email: sales@kosnic.com

Kosnic.com