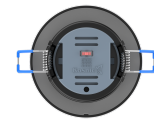


Mauna II Plus Tilt

06837 MAU206TW

Mauna II Plus Tilt fire-rated DL 6/4.5W 4CCT switch white

- Integrated dimmable driver
- Can be installed under Insulation layer
- Interchangeable magnetic bezels with different finishes
- Compact size with void of 65mm
- Coloured LENNEL push-wire terminals
- CCT switchable with 4 choices



Overview

The Mauna II Plus range as well as having the fire rating, ability to be installed under insulation, and low void clearance of the Mauna II, adds wattage switching and a CCT options. Also anti-glare, and tilting options. With the magnetic bezels the Mauna II Plus range doesn't put functionality at the cost of aesthetics.



IP65



General Information

Ambient Temperature Range (°C)	-30°C to 50°C
IK Rating	IK07
IP Rating	IP65
Nominal Lifetime (h)	50,000 h
Protection Rating	Class I
Installation Area	Internal

Technical Summary

Product Code	MAU206TW
Input Voltage Supply	220-240Vac 50/60Hz
Fire Rating	30m I Joist, 60m I Joist, 90m Solid Joist
Default Power	6 W
Settable Wattages	4.5W, 6W
Driver Code/Part number	5RS215-224-248-D
Driver Maximum Power (W)	5.1
Driver Output Current (mA)	95
Driver Power Factor	0.85
Default CCT	3,000 K
Settable Colour Temperatures	2700k, 3000k, 4000k, 6000k
CRI	≥82
Dimmable	Y
Lumens Output Maximum	640 lm
Maximum Efficiency	115 lm/W
Emergency Luminous Flux	150 lm
L80B10 Lifetime (h) @Ta 25 °C	50,000 h
Nominal Lifetime (h)	50,000 h
Weight	0.298Kg
Dimensions (L x W x D) (mm)	62xØ91
Cut-Out (mm)	Ø74mm
Ceiling Void (mm)	65 mm



Kosnic Lighting



KosnicUK



KosnicLightingUK



KosnicUK

Tel: 01635 523 713

Email: sales@kosnic.com

Kosnic.com

06837 MAU206TW

Optional Gear

Product Code	Description	Type
CYDIMRFT1	RF controlled triac dimmer	Dimmable Driver
MAUPIR-RMT	Mauna fire rated PIR ON/OFF sensor, remote included	Remote Control
EMPAD01	Neka, 1W universal emergency pad for downlight	Emergency Module

Accessories

Product Code	Description	Type
CONBZ-WHT	Concealer bezel for downlight cut out of 76mm or less, white	Bezel
MAUBZT-ABR	Mauna Plus Tilt round bezel antique brass	Bezel
MAUBZT-SCH	Mauna Plus Tilt round bezel satin chrome	Bezel
MAUBZT-CHM	Mauna Plus Tilt round bezel chrome	Bezel
MAUBZT-WHT	Mauna Plus Tilt round bezel white	Bezel
MAUBZT-BLK	Mauna Plus Tilt round bezel black	Bezel
MAUBZT-BAS	Mauna Plus Tilt round bezel brass	Bezel

Overview

The Mauna II Plus range as well as having the fire rating, ability to be installed under insulation, and low void clearance of the Mauna II, adds wattage switching and a CCT options. Also anti-glare, and tilting options. With the magnetic bezels the Mauna II Plus range doesn't put functionality at the cost of aesthetics.



IP65



General Information

Ambient Temperature Range (°C)	-30°C to 50°C
IK Rating	IK07
IP Rating	IP65
Nominal Lifetime (h)	50,000 h
Protection Rating	Class I
Installation Area	Internal

Settable (Default in Bold)		Variable					
CCT (K)	Rated Power (W)	Maximum Current Draw (mA)	Power Factor	Total Luminous Flux (lm)	LS Energy Consumption in on-mode (kWh/1000H)	LS Useful Luminous Flux (lm)	LS On-Mode Power (Pon) (W)
2700	6	30	0.88	580	6	450	6
3000	6	30	0.88	640	6	490	6
4000	6	30	0.88	690	6	530	6
6000	6	30	0.88	650	6	500	6
2700	4.5	23	0.86	460	5	360	4.5
3000	4.5	23	0.86	480	5	380	4.5
4000	4.5	23	0.86	510	5	410	4.5
6000	4.5	23	0.86	490	5	390	4.5
CCT (K)	Rated Power (W)	LS Chromaticity Co-Ordinates (X)	LS Chromaticity Co-Ordinates (Y)	LS Peak Luminous Intensity (DLS) (cd)	LS R9 CRI (LED/OLED)	LS Displacement Factor	LS Stroboscopic effect metric (SVM) (x,x)
2700	6	0.467	0.4236	420	8	0.96	0.5
3000	6	0.4375	0.4054	460	16	0.96	0.7
4000	6	0.3837	0.3729	510	28	0.96	0.4
6000	6	0.3177	0.3338	480	12	0.96	0.502
2700	4.5	0.467	0.4236	330	8	0.92	0.466
3000	4.5	0.4375	0.4054	350	16	0.92	0.658
4000	4.5	0.3837	0.3729	390	28	0.92	0.44
6000	4.5	0.3177	0.3338	380	12	0.92	0.502



Kosnic Lighting



KosnicUK



KosnicLightingUK



KosnicUK

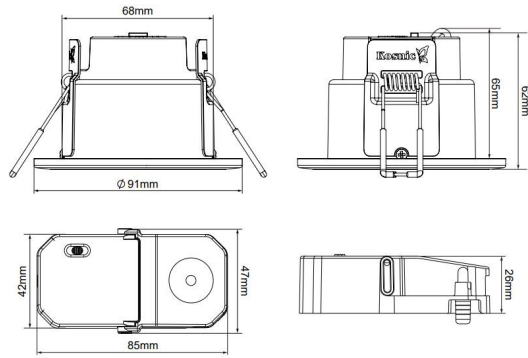
Tel: 01635 523 713

Email: sales@kosnic.com

Kosnic.com

Mauna II Plus Tilt

06837 MAU206TW



Overview

The Mauna II Plus range as well as having the fire rating, ability to be installed under insulation, and low void clearance of the Mauna II, adds wattage switching and a CCT options. Also anti-glare, and tilting options. With the magnetic bezels the Mauna II Plus range doesn't put functionality at the cost of aesthetics.



IP65



General Information

Ambient Temperature Range (°C)	-30°C to 50°C
IK Rating	IK07
IP Rating	IP65
Nominal Lifetime (h)	50,000 h
Protection Rating	Class I
Installation Area	Internal



Kosnic Lighting



KosnicUK



KosnicLightingUK



KosnicUK

Tel: 01635 523 713

Email: sales@kosnic.com

Kosnic.com