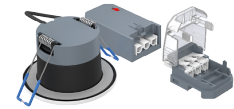


Mauna II PRO

06719 MAU208PR

Mauna II Pro fire-rated downlight 8W/6W/4W 3CCT switch

- Independent driver and a junction box for fast connection
- IP65, Class II
- CCT Switchable (3000K/4000K/6000K)
- Dimmable
- Can be installed under insulation



Overview

The Mauna II Pro adds wattage switching with options for 8W, 6W and 4W settings. This is in addition to the features of the Mauna II, taking the list of features up to an impressive: Magnetic bezels, fire rating, low void clearance, CCT switching, mains dimming, IP65 rating, and ability to be installed under installation.



IP65



General Information

Ambient Temperature Range (°C)	-30°C to 50°C
IK Rating	IK07
IP Rating	IP65
Nominal Lifetime (h)	50,000 h
Protection Rating	Class I
Installation Area	Internal

Technical Summary

Product Code	MAU208PR
Input Voltage Supply	220-240Vac 50/60Hz
Fire Rating	30m I Joist, 60m I Joist, 90m Solid Joist
Default Power	8 W
Settable Wattages	4W, 6W, 8W
Driver Code/Part number	5RS229-D
Driver Maximum Power (W)	6.9
Driver Output Current (mA)	85
Power Factor	0.90
Driver Power Factor	0.85
Default CCT	6,000 K
Settable Colour Temperatures	3000k, 4000k, 6000k
SDCM of CCT	<6
CRI	82
Dimmable	Y
Flicker	<20%
Lumens Output Maximum	810 lm
Maximum Efficiency	128 lm/W
L80B10 Lifetime (h) @Ta 25 °C	50,000 h
Nominal Lifetime (h)	50,000 h
Weight	0.28Kg
Dimensions (L x W x D) (mm)	50xØ88
Cut-Out (mm)	Ø70mm
Ceiling Void (mm)	46 mm



Kosnic Lighting



KosnicUK



KosnicLightingUK



KosnicUK

Tel: 01635 523 713

Email: sales@kosnic.com

Kosnic.com

06719 MAU208PR

Optional Gear

Product Code	Description	Type
CYDIMRFT1	RF controlled triac dimmer	Dimmable Driver
MAUPIR-RMT	Mauna fire rated PIR ON/OFF sensor, remote included	Remote Control
EMPAD01	Neka, 1W universal emergency pad for downlight	Emergency Module

Accessories

Product Code	Description	Type
CONBZ-WHT	Concealer bezel for downlight cut out of 76mm or less, white	Bezel
MAUBZ-SABR	Mauna Square Magnetic bezel Antique Brass	Bezel
MAUBZ-SSCH	Mauna Square Magnetic bezel, Satin Chrome	Bezel
MAUBZ-SCHM	Mauna Square Magnetic bezel, Chrome	Bezel
MAUBZ-SWHT	Mauna Square Magnetic bezel, White	Bezel
MAUBZ-SBLK	Mauna Square Magnetic bezel, Black	Bezel
MAUBZ-SBAS	Mauna Square Magnetic bezel, Brass	Bezel
MAUBZ-ABR	Mauna Round Magnetic bezel Antique brass	Bezel
MAUBZ-SCH	Mauna Round Magnetic bezel Satin Chrome	Bezel
MAUBZ-CHM	Mauna Round Magnetic bezel Polished chrome	Bezel
MAUBZ-WHT	Mauna Round Magnetic bezel White	Bezel
MAUBZ-BLK	Mauna Round Magnetic bezel Black	Bezel
MAUBZ-BAS	Mauna Round Magnetic bezel Brass	Bezel

Overview

The Mauna II Pro adds wattage switching with options for 8W, 6W and 4W settings. This is in addition to the features of the Mauna II, taking the list of features up to an impressive: Magnetic bezels, fire rating, low void clearance, CCT switching, mains dimming, IP65 rating, and ability to be installed under installation.



IP65



General Information

Ambient Temperature Range (°C)	-30°C to 50°C
IK Rating	IK07
IP Rating	IP65
Nominal Lifetime (h)	50,000 h
Protection Rating	Class I
Installation Area	Internal

Settable (Default in Bold)		Variable					
Rated Power (W)	CCT (K)	Maximum Current Draw (mA)	Total Luminous Flux (lm)	LS Energy Consumption in on-mode (kWh/1000H)	LS Energy Efficiency Class	LS Useful Luminous Flux (lm)	LS On-Mode Power (Pon) (W)
8	3000	39	780	8	F	630	8
8	4000	39	860	8	F	700	8
8	6000	39	810	8	F	650	8
6	3000	29	630	6	F	510	6
6	4000	29	690	6	F	560	6
6	6000	29	680	6	F	550	6
4	3000	19	470	4	E	390	4
4	4000	19	510	4	E	420	4
4	6000	19	500	4	E	410	4
Rated	CCT	LS	LS	LS Peak	LS R9 CRI	LS Stroboscopic	



Kosnic Lighting



KosnicUK



KosnicLightingUK



KosnicUK

Tel: 01635 523 713

Email: sales@kosnic.com

Kosnic.com

Mauna II PRO

06719 MAU208PR

Power (W)	(K)	Chromaticity Co-Ordinates (X)	Chromaticity Co-Ordinates (Y)	Luminous Intensity (DLS) (cd)	(LED/OLED)	effect metric (SVM) (x,x)	
8	3000	0.438	0.4	630	0	0.405	
8	4000	0.373	0.366	690	20	0.691	
8	6000	0.316	0.337	630	10	0.241	
6	3000	0.438	0.4	520	0	0.405	
6	4000	0.373	0.366	560	20	0.691	
6	6000	0.316	0.337	520	10	0.241	
4	3000	0.438	0.4	370	0	0.405	
4	4000	0.373	0.366	390	20	0.691	
4	6000	0.316	0.337	370	10	0.241	

Overview

The Mauna II Pro adds wattage switching with options for 8W, 6W and 4W settings. This is in addition to the features of the Mauna II, taking the list of features up to an impressive: Magnetic bezels, fire rating, low void clearance, CCT switching, mains dimming, IP65 rating, and ability to be installed under installation.

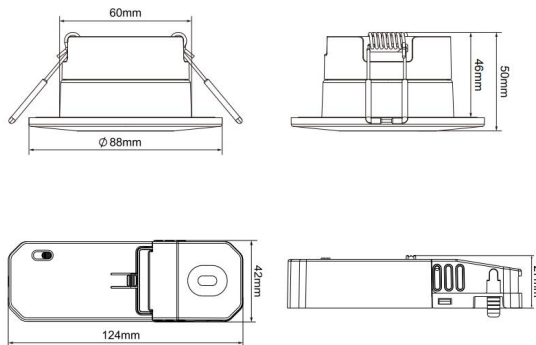


IP65



General Information

Ambient Temperature Range (°C)	-30°C to 50°C
IK Rating	IK07
IP Rating	IP65
Nominal Lifetime (h)	50,000 h
Protection Rating	Class I
Installation Area	Internal



Kosnic Lighting



KosnicUK



KosnicLightingUK



KosnicUK

Tel: 01635 523 713

Email: sales@kosnic.com

Kosnic.com