

7 7 Years
Product Warranty
UK Only

2 2 Years
On-Site Warranty
Main-land UK Only



Nimbo

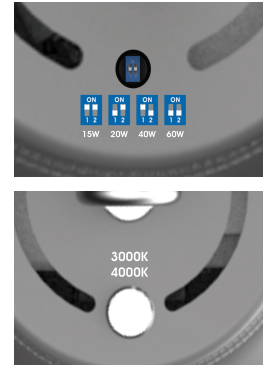
07650 NIM60-SCT

Nimbo circular highbay 15/20/40/60W 3000K/4000K

- High efficiency up to 140lm/W
- Vandal resistant (IK08)
- Diecast aluminium
- Reflector included
- Low glare, UGR < 19 for 15W/20W outputs, UGR<22 for 40W/60W outputs
- Flicker free
- Comes with 0.3m flex.

Overview

Nimbo High Bay Luminaire is designed for use in general industrial areas, manufacturing, warehousing, leisure facilities and retail environments.



IP20



General Information

Ambient Temperature Range (°C)	-20°C to 50°C
IK Rating	IK08
IP Rating	IP20
Materials	Housing Aluminium, PC
Nominal Lifetime (h)	50,000 h
Protection Rating	Class I
Installation Area	Internal and External

Technical Summary

Product Code	NIM60-SCT
Input Voltage Supply	220-240Vac 50/60Hz
Settable Wattages	15W, 20W, 40W, 60W
Driver Code/Part number	Sosen
Power Factor	>0.80
Settable Colour Temperatures	3000k, 4000k
SDCM of CCT	<6
CRI	82
Dimmable	N
Flicker	<1%
Maximum Efficiency	140 lm/W
L80B10 Lifetime (h) @Ta 25 °C	54,000 h
Nominal Lifetime (h)	50,000 h
Weight	2kg
Dimensions (L x W x D) (mm)	456xØ330



Kosnic Lighting



KosnicUK



KosnicLightingUK



KosnicUK

Tel: 01635 523 713

Email: sales@kosnic.com

Kosnic.com

7 7 Years
Product Warranty
UK Only

2 2 Years
On-Site Warranty
Main-land UK Only

Nimbo



07650 NIM60-SCT

Overview

Nimbo High Bay Luminaire is designed for use in general industrial areas, manufacturing, warehousing, leisure facilities and retail environments.

Rated Power (W)	Current (mA)	CCT (k)	Luminous Flux (lm)	UGR	Power Factor
15	87	3000 Warm White	1800	<19	0.75
15	87	4000 Cool White	1950	<19	0.75
20	106	3000 Warm White	2600	<19	0.82
20	106	4000 Cool White	2800	<19	0.825
40	185	3000 Warm White	5200	<22	0.94
40	185	4000 Cool White	5600	<22	0.94
60	275	3000 Warm White	7800	<22	0.95
60	275	4000 Cool White	8400	<22	0.95

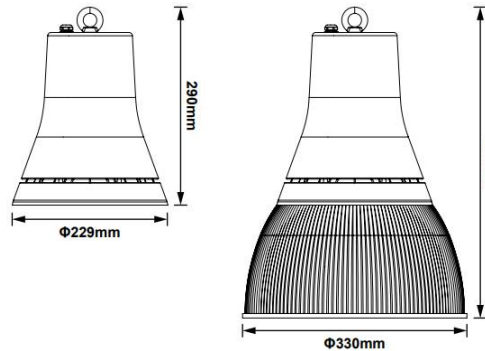


IP20



General Information

Ambient Temperature Range (°C)	-20°C to 50°C
IK Rating	IK08
IP Rating	IP20
Materials	Housing Aluminium, PC
Nominal Lifetime (h)	50,000 h
Protection Rating	Class I
Installation Area	Internal and External



Kosnic Lighting



KosnicUK



KosnicLightingUK



KosnicUK

Tel: 01635 523 713

Email: sales@kosnic.com

Kosnic.com