

Ventas II

05722 VEN10-SCT

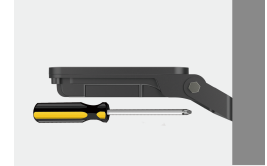
Ventas II IP65 floodlight 10W CCT switch w/remote

- CCT switching with remote control included
- Surge protection
- Diecast aluminium body
- Slim profile
- 1m of H05RN-F 3 x 1mm² cable

Overview

Kosnic Ventas II LED floodlights with PIR sensor option. Available in 10W, 20W, 30W and 50W with switchable CCT by remote control (included).

The high-quality aluminium floodlights make ideal replacements for energy-hungry halogen lighting and are suitable for outdoor use offering high lumen efficiency and a long life



General Information

Ambient Temperature Range (°C)	-20°C to 40°C
IK Rating	IK06
IP Rating	IP65
Nominal Lifetime (h)	30,000 h
Protection Rating	Class I
Installation Area	External

Technical Summary

Product Code	VEN10-SCT
Input Voltage Supply	220-240Vac 50/60Hz
Default Power	10 W
Power Factor	0.99
Default CCT	4,000 K
Settable Colour Temperatures	3000k, 4000k, 6500k
CRI	≥82
Dimmable	Specific Dimmer
Lumens Output Maximum	660 lm
Maximum Efficiency	66 lm/W
L80B10 Lifetime (h) @Ta 25 °C	36,000 h
Nominal Lifetime (h)	30,000 h
Weight	0.32Kg
Dimensions (L x W x D) (mm)	101x134x30



Kosnic Lighting



KosnicUK



KosnicLightingUK



KosnicUK

Tel: 01635 523 713

Email: sales@kosnic.com

Kosnic.com

Ventas II

05722 VEN10-SCT

Accessories

Product Code	Description	Type
KCWP3IN	IP67 in-line connector	Connector kit
Settable (Default in Bold)	Variable	
Rated Power (W)	CCT (K)	Total Luminous Flux (lm)
10	3000	590
10	4000	660
10	6500	590

Overview

Kosnic Ventas II LED floodlights with PIR sensor option. Available in 10W, 20W, 30W and 50W with switchable CCT by remote control (included).

The high-quality aluminium floodlights make ideal replacements for energy-hungry halogen lighting and are suitable for outdoor use offering high lumen efficiency and a long life

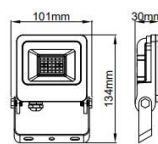
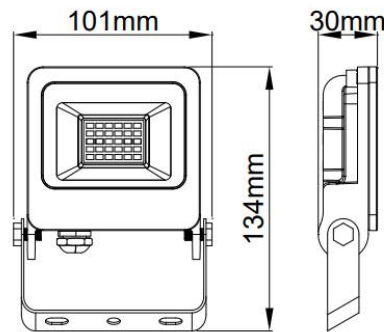


IP65

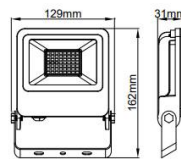


General Information

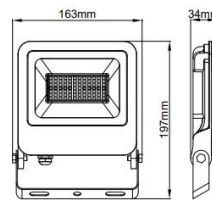
Ambient Temperature Range (°C)	-20°C to 40°C
IK Rating	IK06
IP Rating	IP65
Nominal Lifetime (h)	30,000 h
Protection Rating	Class I
Installation Area	External



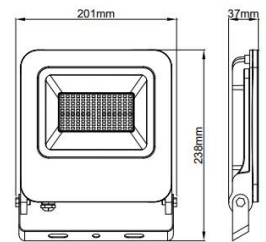
VEN10-SCT



VEN20-SCT



VEN30-SCT



VEN50-SCT



Kosnic Lighting



KosnicUK



KosnicLightingUK



KosnicUK

Tel: 01635 523 713

Email: sales@kosnic.com

Kosnic.com