

Ventas II

07469 VEN20-SCT/S

Ventas II IP65 floodlight 20W CCT switch w/remote PIR ON/OFF

- CCT switching with remote control included
- Surge protection
- Diecast aluminium body
- Slim profile
- 1m of H05RN-F 3 x 1mm² cable



Overview

Kosnic Ventas II LED floodlights with PIR sensor option. Available in 10W, 20W, 30W and 50W with switchable CCT by remote control (included).

The high-quality aluminium floodlights make ideal replacements for energy-hungry halogen lighting and are suitable for outdoor use offering high lumen efficiency and a long life



IP65



General Information

Ambient Temperature Range (°C)	-20°C to 40°C
IK Rating	IK04
IP Rating	IP65
Nominal Lifetime (h)	30,000 h
Protection Rating	Class I
Installation Area	External

Technical Summary

Product Code	VEN20-SCT/S
Input Voltage Supply	220-240Vac 50/60Hz
Default Power	20 W
Power Factor	0.90
Default CCT	4,000 K
Settable Colour Temperatures	3000k, 4000k, 6500k
CRI	≥82
Dimmable	Specific Dimmer
Lumens Output Maximum	1,680 lm
Maximum Efficiency	84 lm/W
L80B10 Lifetime (h) @Ta 25 °C	36,000 h
Nominal Lifetime (h)	30,000 h
Weight	0.53Kg
Dimensions (L x W x D) (mm)	129x193x61



Kosnic Lighting



KosnicUK



KosnicLightingUK



KosnicUK

Tel: 01635 523 713

Email: sales@kosnic.com

Kosnic.com

Ventas II

07469 VEN20-SCT/S

Accessories

Product Code	Description	Type
KCWP3IN	IP67 in-line connector	Connector kit
Settable (Default in Bold)	Variable	
CCT (K)	Rated Power (W)	Total Luminous Flux (lm)
3000	20	1410
4000	20	1680
6500	20	1410

Overview

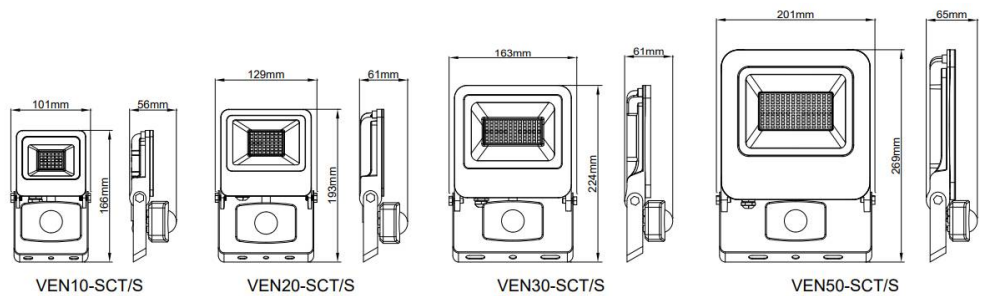
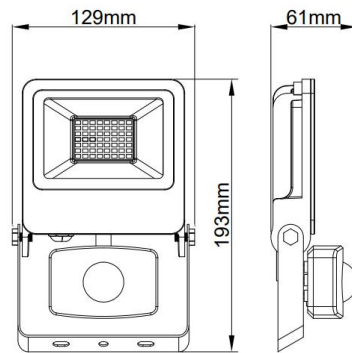
Kosnic Ventas II LED floodlights with PIR sensor option. Available in 10W, 20W, 30W and 50W with switchable CCT by remote control (included).

The high-quality aluminium floodlights make ideal replacements for energy-hungry halogen lighting and are suitable for outdoor use offering high lumen efficiency and a long life



General Information

Ambient Temperature Range (°C)	-20°C to 40°C
IK Rating	IK04
IP Rating	IP65
Nominal Lifetime (h)	30,000 h
Protection Rating	Class I
Installation Area	External



Kosnic Lighting



KosnicUK



KosnicLightingUK



KosnicUK

Tel: 01635 523 713

Email: sales@kosnic.com

Kosnic.com