

Ventas II

05726 VEN30-SCT

Ventas II IP65 floodlight 30W CCT switch w/remote

- CCT switching with remote control included
- Surge protection
- Diecast aluminium body
- Slim profile
- 1m of H05RN-F 3 x 1mm² cable

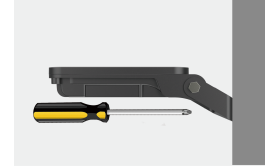
Overview

Kosnic Ventas II LED floodlights with PIR sensor option. Available in 10W, 20W, 30W and 50W with switchable CCT by remote control (included).

The high-quality aluminium floodlights make ideal replacements for energy-hungry halogen lighting and are suitable for outdoor use offering high lumen efficiency and a long life



IP65



General Information

Ambient Temperature Range (°C)	-20°C to 40°C
IK Rating	IK06
IP Rating	IP65
Nominal Lifetime (h)	30,000 h
Protection Rating	Class I
Installation Area	External

Technical Summary

Product Code	VEN30-SCT
Input Voltage Supply	220-240Vac 50/60Hz
Default Power	30 W
Power Factor	0.99
Default CCT	4,000 K
Settable Colour Temperatures	3000k, 4000k, 6500k
CRI	≥82
Dimmable	Specific Dimmer
Lumens Output Maximum	2,800 lm
Maximum Efficiency	93 lm/W
L80B10 Lifetime (h) @Ta 25 °C	36,000 h
Nominal Lifetime (h)	30,000 h
Weight	0.65Kg
Dimensions (L x W x D) (mm)	163x197x34



Kosnic Lighting



KosnicUK



KosnicLightingUK



KosnicUK

Tel: 01635 523 713

Email: sales@kosnic.com

Kosnic.com

Ventas II

05726 VEN30-SCT

Accessories

Product Code	Description	Type
KCWP3IN	IP67 in-line connector	Connector kit

Settable (Default in Bold)	Variable		
Rated Power (W)	CCT (K)	Total Luminous Flux (lm)	Light Source Supply
30	3000	2340	200Vdc 110mA
30	4000	2800	200Vdc 120mA
30	6500	2340	200Vdc 110mA

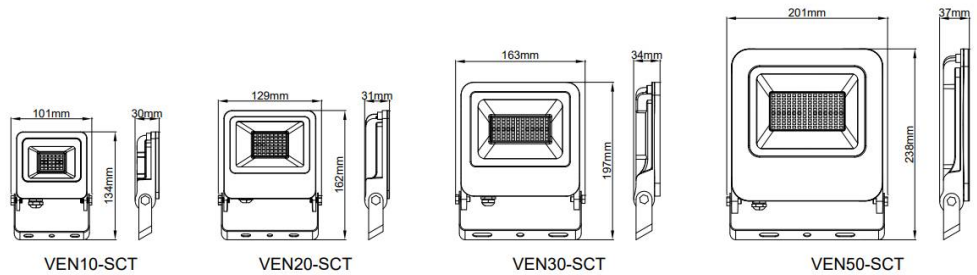
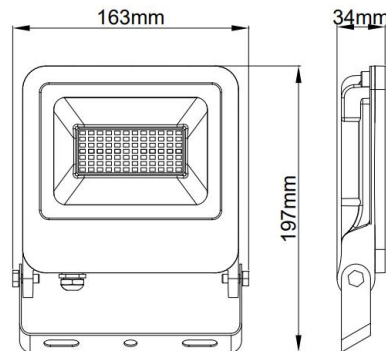
Overview

Kosnic Ventas II LED floodlights with PIR sensor option. Available in 10W, 20W, 30W and 50W with switchable CCT by remote control (included). The high-quality aluminium floodlights make ideal replacements for energy-hungry halogen lighting and are suitable for outdoor use offering high lumen efficiency and a long life



General Information

Ambient Temperature Range (°C)	-20°C to 40°C
IK Rating	IK06
IP Rating	IP65
Nominal Lifetime (h)	30,000 h
Protection Rating	Class I
Installation Area	External



Kosnic Lighting



KosnicUK



KosnicLightingUK



KosnicUK

Tel: 01635 523 713

Email: sales@kosnic.com

Kosnic.com