

Ventas II

05727 VEN50-SCT

Ventas II IP65 floodlight 50W CCT switch w/remote

- CCT switching with remote control included
- Surge protection
- Diecast aluminium body
- Slim profile
- 1m of H05RN-F 3 x 1mm² cable

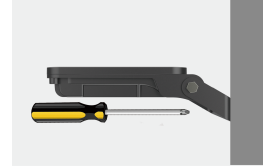
Overview

Kosnic Ventas II LED floodlights with PIR sensor option. Available in 10W, 20W, 30W and 50W with switchable CCT by remote control (included).

The high-quality aluminium floodlights make ideal replacements for energy-hungry halogen lighting and are suitable for outdoor use offering high lumen efficiency and a long life



IP65



General Information

Ambient Temperature Range (°C)	-20°C to 40°C
IK Rating	IK06
IP Rating	IP65
Nominal Lifetime (h)	30,000 h
Protection Rating	Class I
Installation Area	External

Technical Summary

Product Code	VEN50-SCT
Input Voltage Supply	220-240Vac 50/60Hz
Default Power	50 W
Power Factor	0.99
Default CCT	4,000 K
Settable Colour Temperatures	3000k, 4000k, 6500k
CRI	≥82
Dimmable	Specific Dimmer
Lumens Output Maximum	4,980 lm
Maximum Efficiency	100 lm/W
L80B10 Lifetime (h) @Ta 25 °C	36,000 h
Nominal Lifetime (h)	30,000 h
Weight	1.04Kg
Dimensions (L x W x D) (mm)	201x238x37



Kosnic Lighting



KosnicUK



KosnicLightingUK



KosnicUK

Tel: 01635 523 713

Email: sales@kosnic.com

Kosnic.com

05727 VEN50-SCT

Accessories

Product Code	Description	Type
KCWP3IN	IP67 in-line connector	Connector kit

Settable (Default in Bold)	Variable		
CCT (K)	Rated Power (W)	Total Luminous Flux (lm)	Light Source Supply
3000	50	3980	200Vdc 180mA
4000	50	4980	200Vdc 200mA
6500	50	3980	200Vdc 180mA

Overview

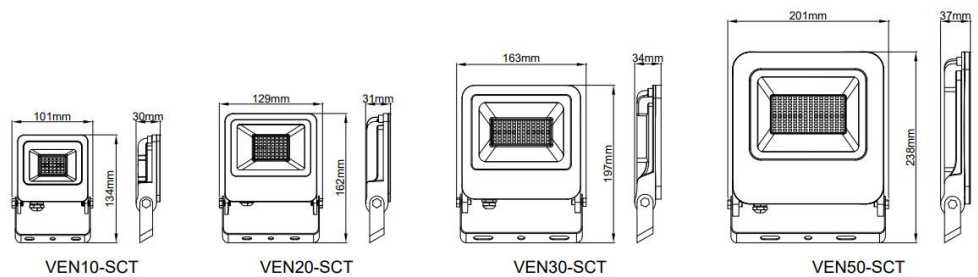
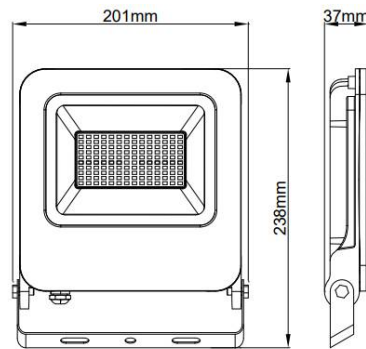
Kosnic Ventas II LED floodlights with PIR sensor option. Available in 10W, 20W, 30W and 50W with switchable CCT by remote control (included).

The high-quality aluminium floodlights make ideal replacements for energy-hungry halogen lighting and are suitable for outdoor use offering high lumen efficiency and a long life



General Information

Ambient Temperature Range (°C)	-20°C to 40°C
IK Rating	IK06
IP Rating	IP65
Nominal Lifetime (h)	30,000 h
Protection Rating	Class I
Installation Area	External



Kosnic Lighting



KosnicUK



KosnicLightingUK



KosnicUK

Tel: 01635 523 713

Email: sales@kosnic.com

Kosnic.com