

5 5 Years
Product Warranty
UK Only

2 2 Years
On-Site Warranty
Main-land UK Only

Ossa II

08071 OSS18-SCT

Ossa II, 9w/12w/18w wattage and CCT switchable, white trim

- Switchable CCT (3000/4000/5000K)
- IP65 & vandal resistant (IK10)
- Choice of alternative decorative trims
- Integrated LED tray
- Optional microwave sensor
- 20mm Conduit entry
- BESA box fitting points
- Flicker free



Overview

The Ossa II is a slim bulkhead with integrated LED tray offering a low maintenance solution to lighting for all areas. With switchable CCT and different wattage settings to meet your different ambient needs.



General Information

Ambient Temperature Range (°C)	-20°C to 50°C
IK Rating	IK10
IP Rating	IP65
Materials	White Housing ABS
Nominal Lifetime (h)	50,000 h
Protection Rating	Class II
Installation Area	Internal and External

Technical Summary

Product Code	OSS18-SCT
Input Voltage Supply	220-240Vac 50/60Hz
Default Power	9 W
Settable Wattages	9W, 12W, 18W
Default CCT	4,000 K
Settable Colour Temperatures	3000k, 4000k, 5000k
SDCM of CCT	<6
CRI	82
Dimmable	N
Flicker	<1%
Lumens Output Maximum	1,650 lm
Maximum Efficiency	95 lm/W
Maintained Luminous Flux	110 lm
L80B10 Lifetime (h) @Ta 25 °C	96,000 h
Nominal Lifetime (h)	50,000 h
Weight	0.9Kg
Dimensions (L x W x D) (mm)	78xØ304



Kosnic Lighting



KosnicUK



KosnicLightingUK



KosnicUK

Tel: 01635 523 713

Email: sales@kosnic.com

Kosnic.com

5 5 Years
Product Warranty
UK Only

2 2 Years
On-Site Warranty
Main-land UK Only

Ossa II



08071 OSS18-SCT

Overview

The Ossa II is a slim bulkhead with integrated LED tray offering a low maintenance solution to lighting for all areas. With switchable CCT and different wattage settings to meet your different ambient needs.



IP65



General Information

Ambient Temperature Range (°C)	-20°C to 50°C
IK Rating	IK10
IP Rating	IP65
Materials	White Housing ABS
Nominal Lifetime (h)	50,000 h
Protection Rating	Class II
Installation Area	Internal and External

Optional Gear

Product Code	Description	Type
MWS-DC	Plug-in microwave motion sensor 12V DC PWM	Microwave Sensor
EMDD02/ST	2W self-test emergency module for LED DD and bulkhead	Self-test Emergency Module
EMDD02	2W standard emergency module for LED DD and bulkhead	Emergency Module
RMW-DC	Plug in microwave motion and daylight sensor 12V DC	Microwave Sensor

Accessories

Product Code	Description	Type
OSSLT-SCH	Ossa, Ossa II and Ossa Go Clip-on ring Deco back light filter, Satin Chrome, ø379mm	Trim
OSSLT-WHT	Ossa, Ossa II and Ossa Go Clip-on ring Deco back light filter, White, ø379mm	Trim
OSSLT-PBL	Ossa, Ossa II and Ossa Go Clip-on ring Deco back light filter, Polished Black, ø379mm	Trim
OSSLT-BAS	Ossa, Ossa II and Ossa Go Clip-on ring Deco back light filter, Brass, ø379mm	Trim
OSSLT-CHM	Ossa, Ossa II and Ossa Go, Clip-on ring Deco back light filter, Chrome, ø379mm	Trim
OSSLID-WHT	Ossa II and Ossa Go, Clip-on ring Eyelid, White, ø292mm	Trim
OSSLID-GRY	Ossa II and Ossa Go, Clip-on ring Eyelid, Grey, ø292mm	Trim
OSSLID-BLK	Ossa II and Ossa Go, Clip-on ring Eyelid, Black, ø292mm	Trim
OSST-WHT	Ossa II and Ossa Go Clip-on ring Edge, White, ø292mm	Trim
OSST-GRY	Ossa, Ossa II and Ossa Go, Clip-on ring Edge, Grey, ø292mm	Trim
OSST-BLK	Ossa, Ossa II and Ossa Go Clip-on ring Edge, Matt Black, ø292mm	Trim
OSSP-CHM	Ossa II and Ossa Go Clip-on ring Polo, Chrome, ø304mm	Trim
OSSP-BAS	Ossa II and Ossa Go Clip-on ring Polo, Brass, ø304mm	Trim
RMT-UNI	Universal Remote Control for Kosnic motion sensors	Remote Control
KPT-SCREW1	Anti-vandal Screw Pack	Screw
KPT-SCREWDRIVER1	Anti-vandal Screw Driver	Tool

Settable (Default in Bold)		Variable		
Rated Power (W)	CCT (K)	Current (mA)	Total Lumen (lm)	Power Factor
9	3000 Warm White	42	710	0.94
9	4000 Cool White	42	830	0.94
9	5000 Day Light	42	830	0.94
12	3000 Warm White	56	970	0.94
12	4000 Cool White	56	1130	0.94



Kosnic Lighting



KosnicUK



KosnicLightingUK



KosnicUK

Tel: 01635 523 713

Email: sales@kosnic.com

Kosnic.com

5 5 Years
Product Warranty
UK Only

2 2 Years
On-Site Warranty
Main-land UK Only

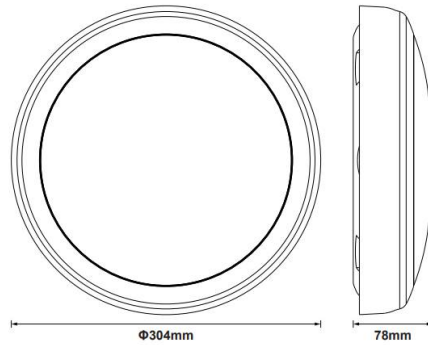
Ossa II

08071 OSS18-SCT

12	5000 Day Light	56	1130	0.94
18	3000 Warm White	82	1340	0.96
18	4000 Cool White	82	1650	0.96
18	5000 Day Light	82	1650	0.96

Overview

The Ossa II is a slim bulkhead with integrated LED tray offering a low maintenance solution to lighting for all areas. With switchable CCT and different wattage settings to meet your different ambient needs.



General Information

Ambient Temperature Range (°C)	-20°C to 50°C
IK Rating	IK10
IP Rating	IP65
Materials	White Housing ABS
Nominal Lifetime (h)	50,000 h
Protection Rating	Class II
Installation Area	Internal and External

Order Code	OSSP-CHM	OSSP-BAS	OSST-BLK	OSST-GRY	OSST-WHT
Finish	Chrome	Brass	Matt Black	Grey	White
LOR (with trim)	65 %	65 %	62 %	65 %	65 %
Diameter	304 mm	304 mm	292 mm	292 mm	292 mm
Depth	70 mm	70 mm	70 mm	70 mm	70 mm

Order Code	OSSLID-BLK	OSSLID-GRY	OSSLID-WHT	OSSLT-WHT
Finish	Matt Black	Grey	White	White
LOR (with trim)	38 %	40 %	40 %	65 %
Diameter	292 mm	292 mm	292 mm	379 mm
Depth	64 mm	64 mm	64 mm	70 mm



Kosnic Lighting



KosnicUK



KosnicLightingUK



KosnicUK

Tel: 01635 523 713

Email: sales@kosnic.com

Kosnic.com