

# ASHFORD Pendant

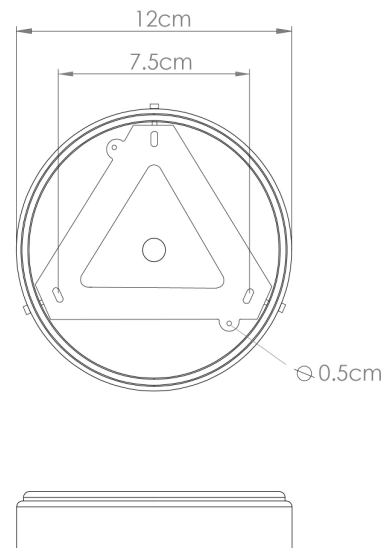
MLP510ANTBRS Antique Brass



MATERIAL	Brass Steel Acrylic
HEIGHT	138.4cm   54.49"
WIDTH   DIAMETER	15cm   5.91"
LENGTH   PROJECTION	120.9cm   47.6"
WEIGHT	0KG   0lbs
LAMP HOLDER	Integrated
MAX WATTAGE	6.5W x 1
VOLTAGE	220/240v or 110/120v *
IP RATING	20
CLASS PROTECTION	II
SHADE CODE	-
CABLE   CHAIN   BAR LENGT	100cm   40"
CABLE TYPE	MLCA014   2 Core Flat   Clear   PVC

### Fixing Bracket MLWB17

\* Fixing bracket may differ for UL wired products.



#### Product Notes:

- 1) Integrated LED included.
- 2) Dimensions do not include bulbs.
- 3) All products are individually made-to-order and therefore may differ slightly within manufacturing tolerances.
- 4) Cable / chain can be shortened during installation. Longer cable / chain lengths available on request.
- 5) Additional colour finishes may be available on request.
- 6) UL wired products operate at 110/120v with the appropriate lamp holder.
- 7) Twisted cable is not available for UL wired products. Round cable in black or brown only is supplied instead.
- 8) Refer to our website for a full list of terms and conditions.

# ASHFORD Pendant

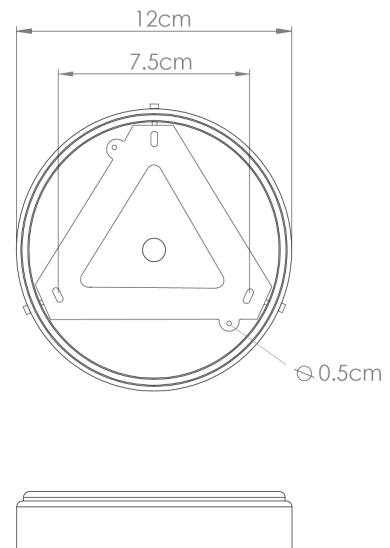
MLP510ANTSLV Antique Silver



MATERIAL	Brass Steel Acrylic
HEIGHT	138.4cm   54.49"
WIDTH   DIAMETER	15cm   5.91"
LENGTH   PROJECTION	120.9cm   47.6"
WEIGHT	0KG   0lbs
LAMP HOLDER	Integrated
MAX WATTAGE	6.5W x 1
VOLTAGE	220/240v or 110/120v *
IP RATING	20
CLASS PROTECTION	II
SHADE CODE	-
CABLE   CHAIN   BAR LENGT	100cm   40"
CABLE TYPE	MLCA014   2 Core Flat   Clear   PVC

### Fixing Bracket MLWB17

\* Fixing bracket may differ for UL wired products.



#### Product Notes:

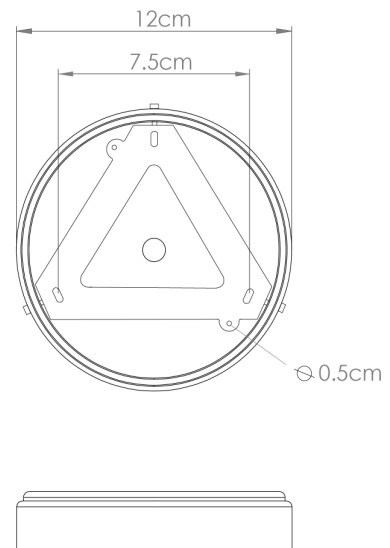
- 1) Integrated LED included.
- 2) Dimensions do not include bulbs.
- 3) All products are individually made-to-order and therefore may differ slightly within manufacturing tolerances.
- 4) Cable / chain can be shortened during installation. Longer cable / chain lengths available on request.
- 5) Additional colour finishes may be available on request.
- 6) UL wired products operate at 110/120v with the appropriate lamp holder.
- 7) Twisted cable is not available for UL wired products. Round cable in black or brown only is supplied instead.
- 8) Refer to our website for a full list of terms and conditions.



MATERIAL	Brass Steel Acrylic
HEIGHT	138.4cm   54.49"
WIDTH   DIAMETER	15cm   5.91"
LENGTH   PROJECTION	120.9cm   47.6"
WEIGHT	0KG   0lbs
LAMP HOLDER	Integrated
MAX WATTAGE	6.5W x 1
VOLTAGE	220/240v or 110/120v *
IP RATING	20
CLASS PROTECTION	II
SHADE CODE	-
CABLE   CHAIN   BAR LENGT	100cm   40"
CABLE TYPE	MLCA014   2 Core Flat   Clear   PVC

**Fixing Bracket MLWB17**

\* Fixing bracket may differ for UL wired products.



**Product Notes:**

- 1) Integrated LED included.
- 2) Dimensions do not include bulbs.
- 3) All products are individually made-to-order and therefore may differ slightly within manufacturing tolerances.
- 4) Cable / chain can be shortened during installation. Longer cable / chain lengths available on request.
- 5) Additional colour finishes may be available on request.
- 6) UL wired products operate at 110/120v with the appropriate lamp holder.
- 7) Twisted cable is not available for UL wired products. Round cable in black or brown only is supplied instead.
- 8) Refer to our website for a full list of terms and conditions.

# ASHFORD Pendant

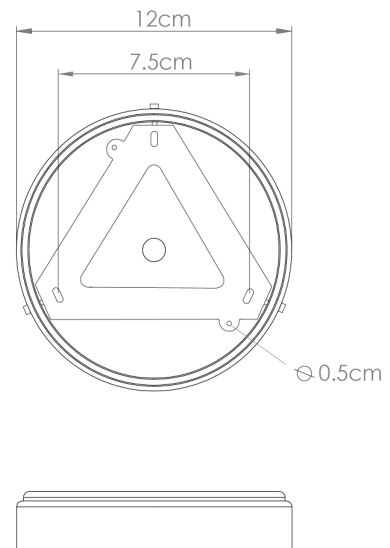
MLP510POLBRS Polished Brass



MATERIAL	Brass Steel Acrylic
HEIGHT	138.4cm   54.49"
WIDTH   DIAMETER	15cm   5.91"
LENGTH   PROJECTION	120.9cm   47.6"
WEIGHT	0KG   0lbs
LAMP HOLDER	Integrated
MAX WATTAGE	6.5W x 1
VOLTAGE	220/240v or 110/120v *
IP RATING	20
CLASS PROTECTION	II
SHADE CODE	-
CABLE   CHAIN   BAR LENGT	100cm   40"
CABLE TYPE	MLCA014   2 Core Flat   Clear   PVC

### Fixing Bracket MLWB17

\* Fixing bracket may differ for UL wired products.



**Product Notes:**

- 1) Integrated LED included.
- 2) Dimensions do not include bulbs.
- 3) All products are individually made-to-order and therefore may differ slightly within manufacturing tolerances.
- 4) Cable / chain can be shortened during installation. Longer cable / chain lengths available on request.
- 5) Additional colour finishes may be available on request.
- 6) UL wired products operate at 110/120v with the appropriate lamp holder.
- 7) Twisted cable is not available for UL wired products. Round cable in black or brown only is supplied instead.
- 8) Refer to our website for a full list of terms and conditions.

# ASHFORD Pendant

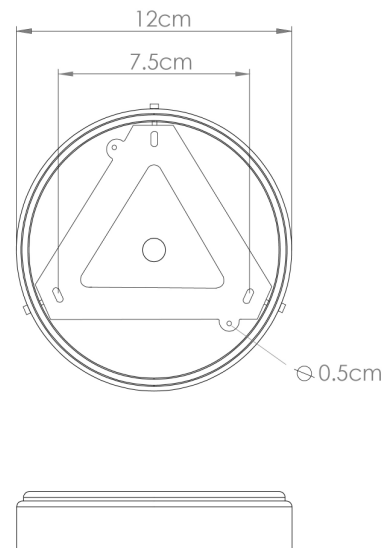
MLP510SATBRS Satin Brass



MATERIAL	Brass Steel Acrylic
HEIGHT	138.4cm   54.49"
WIDTH   DIAMETER	15cm   5.91"
LENGTH   PROJECTION	120.9cm   47.6"
WEIGHT	0KG   0lbs
LAMP HOLDER	Integrated
MAX WATTAGE	6.5W x 1
VOLTAGE	220/240v or 110/120v *
IP RATING	20
CLASS PROTECTION	II
SHADE CODE	-
CABLE   CHAIN   BAR LENGT	100cm   40"
CABLE TYPE	MLCA014   2 Core Flat   Clear   PVC

### Fixing Bracket MLWB17

\* Fixing bracket may differ for UL wired products.



#### Product Notes:

- 1) Integrated LED included.
- 2) Dimensions do not include bulbs.
- 3) All products are individually made-to-order and therefore may differ slightly within manufacturing tolerances.
- 4) Cable / chain can be shortened during installation. Longer cable / chain lengths available on request.
- 5) Additional colour finishes may be available on request.
- 6) UL wired products operate at 110/120v with the appropriate lamp holder.
- 7) Twisted cable is not available for UL wired products. Round cable in black or brown only is supplied instead.
- 8) Refer to our website for a full list of terms and conditions.