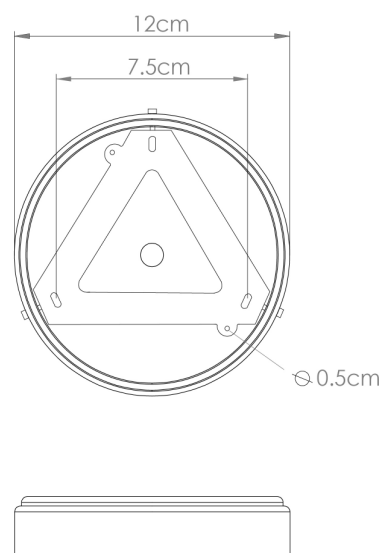
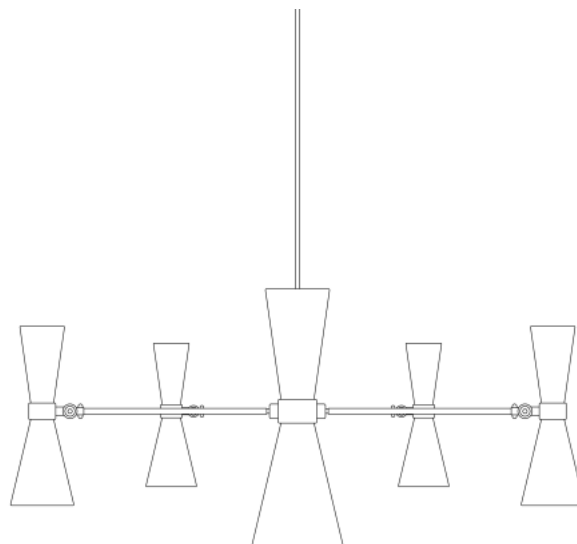


MATERIAL	Brass
HEIGHT	36cm   14.17"
WIDTH   DIAMETER	80cm   31.5"
LENGTH   PROJECTION	n/a
WEIGHT	5.9KG   13.01lbs
LAMPHOLDER	GU10 x 5
MAX WATTAGE	6.5W x 5
VOLTAGE	220/240v
IP RATING	20
CLASS PROTECTION	I
SHADE	-
FLEX   BAR   CHAIN LENGT	100cm   40"
CABLE TYPE	MLCA029   3 Core Round   Black Braid   PVC

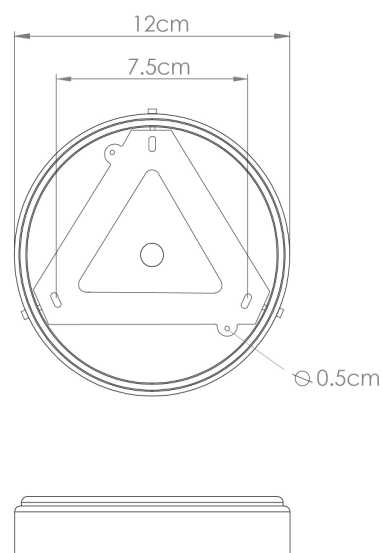
**Fixing Bracket MLWB17 | Matt Black**

**Product Notes:**

1) Lamps not included with light fixture. 2) All products are individually hand crafted, therefore may differ slightly within manufacturing tolerances. 3) Please refer to: <http://www.mullanlighting.com/terms> for full list of Terms & Conditions. 4) Cable/Chain can be shortened during installation. 5) Longer Cable/Chain available on request. 6) Additional colour finishes available on request. 7.) Dimensions do not include lamps. 8.) Products wired to UL standards will operate at 110/120v with the appropriate lampholders.



MATERIAL	Brass
HEIGHT	36cm   14.17"
WIDTH   DIAMETER	80cm   31.5"
LENGTH   PROJECTION	n/a
WEIGHT	5.9KG   13.01lbs
LAMPHOLDER	GU10 x 5
MAX WATTAGE	6.5W x 5
VOLTAGE	220/240v
IP RATING	20
CLASS PROTECTION	I
SHADE	-
FLEX   BAR   CHAIN LENGT	100cm   40"
CABLE TYPE	MLCA057   3 Core Round   Gold Braid   PVC

Fixing Bracket MLWB17 | White



Product Notes:

1) Lamps not included with light fixture. 2) All products are individually hand crafted, therefore may differ slightly within manufacturing tolerances. 3) Please refer to: <http://www.mullanlighting.com/terms> for full list of Terms & Conditions. 4) Cable/Chain can be shortened during installation. 5) Longer Cable/Chain available on request. 6) Additional colour finishes available on request. 7.) Dimensions do not include lamps. 8.) Products wired to UL standards will operate at 110/120v with the appropriate lampholders.