

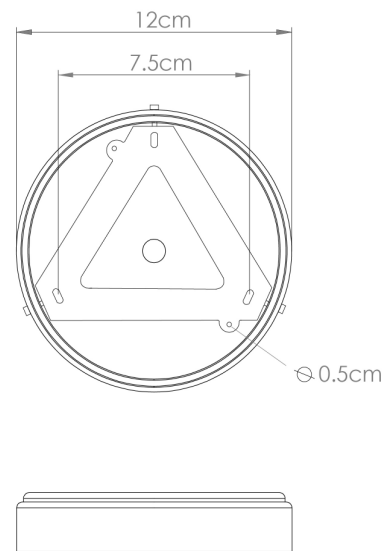
CALEDON Chandelier

MLF319PCMBK Matt Black



MATERIAL	Steel Brass Glass
HEIGHT	63cm 24.8"
WIDTH DIAMETER	60.5cm 23.82"
LENGTH PROJECTION	n/a
WEIGHT	21.5KG 47.4lbs
LAMPHOLDER	E27 x 8
MAX WATTAGE	40W x 8
VOLTAGE	220/240v
IP RATING	20
CLASS PROTECTION	I
SHADE	GL198
FLEX BAR CHAIN LENGT	100cm 40"
CABLE TYPE	MLCA037 3 Core Round Black PVC

Fixing Bracket MLWB17 | Matte Black



Product Notes:

1) Lamps not included with light fixture. 2) All products are individually hand crafted, therefore may differ slightly within manufacturing tolerances. 3) Please refer to: <http://www.mullanlighting.com/terms> for full list of Terms & Conditions. 4) Cable/Chain can be shortened during installation. 5) Longer Cable/Chain available on request. 6) Additional colour finishes available on request. 7.) Dimensions do not include lamps. 8.) Products wired to UL standards will operate at 110/120v with the appropriate lampholders.